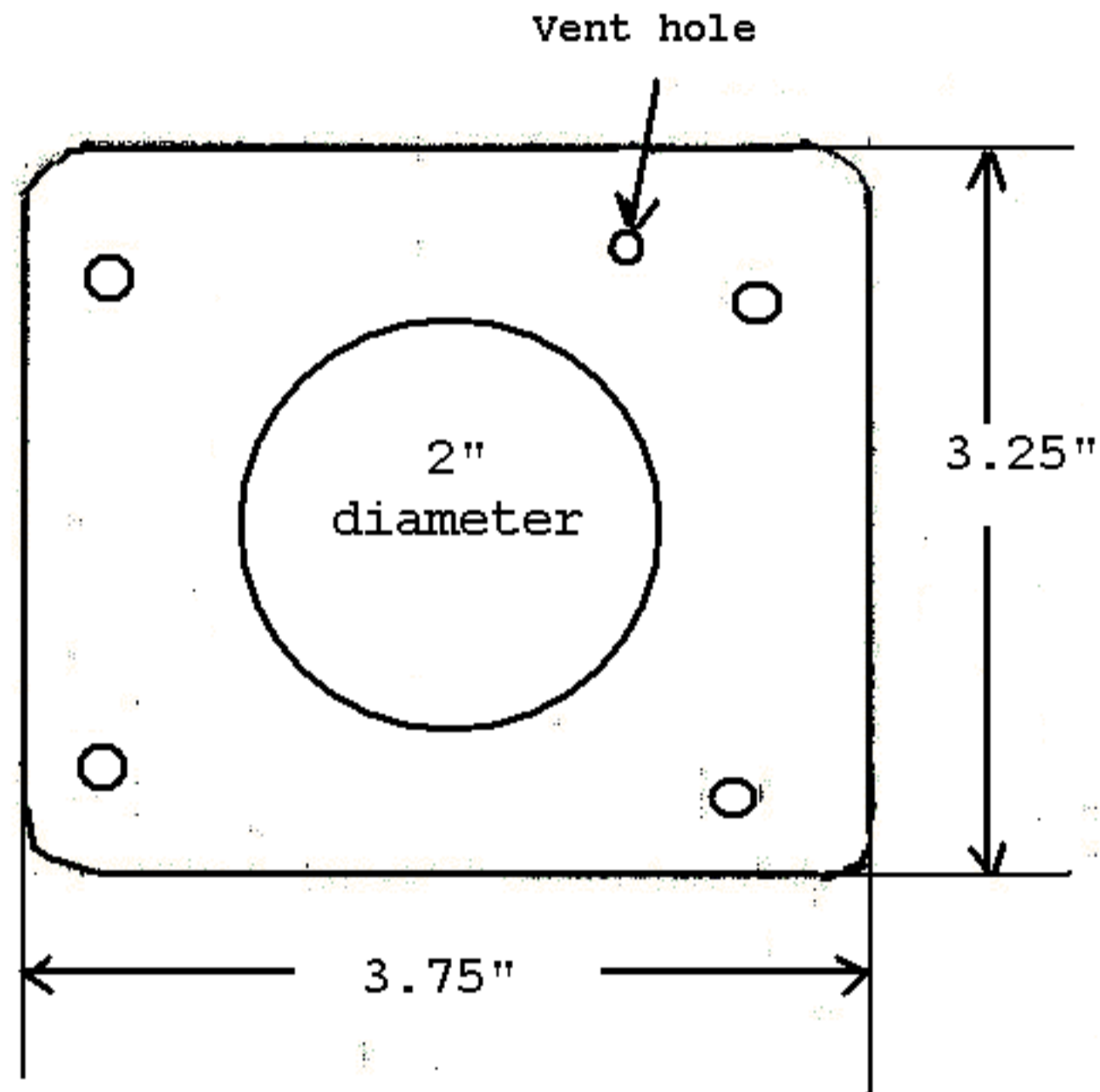


Axle Retainer Plate



This plate replaces the existing backing plate. You must remove the collar and bearing from the axle to install

NOTES:

Plate material is 1/8" steel