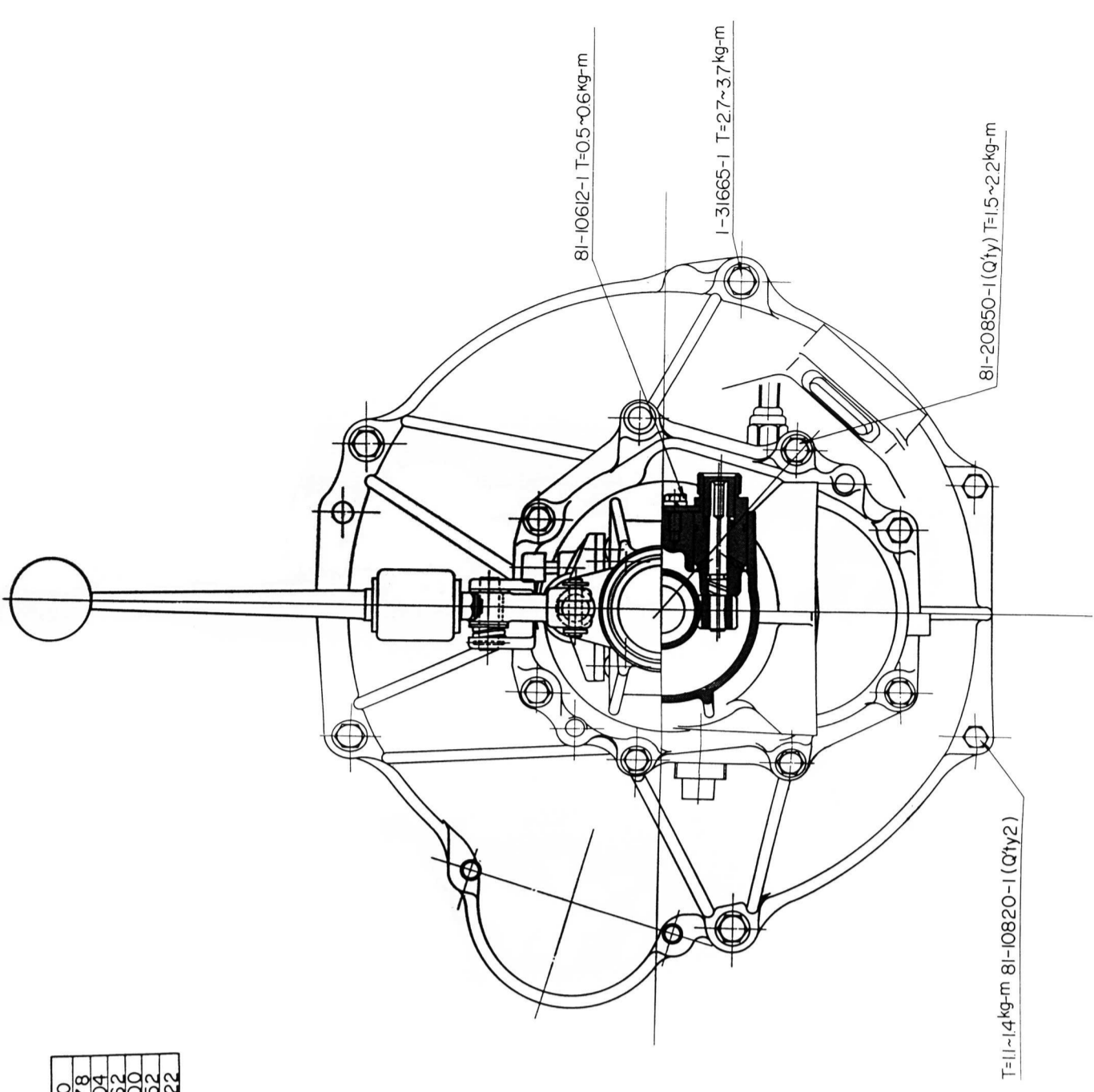
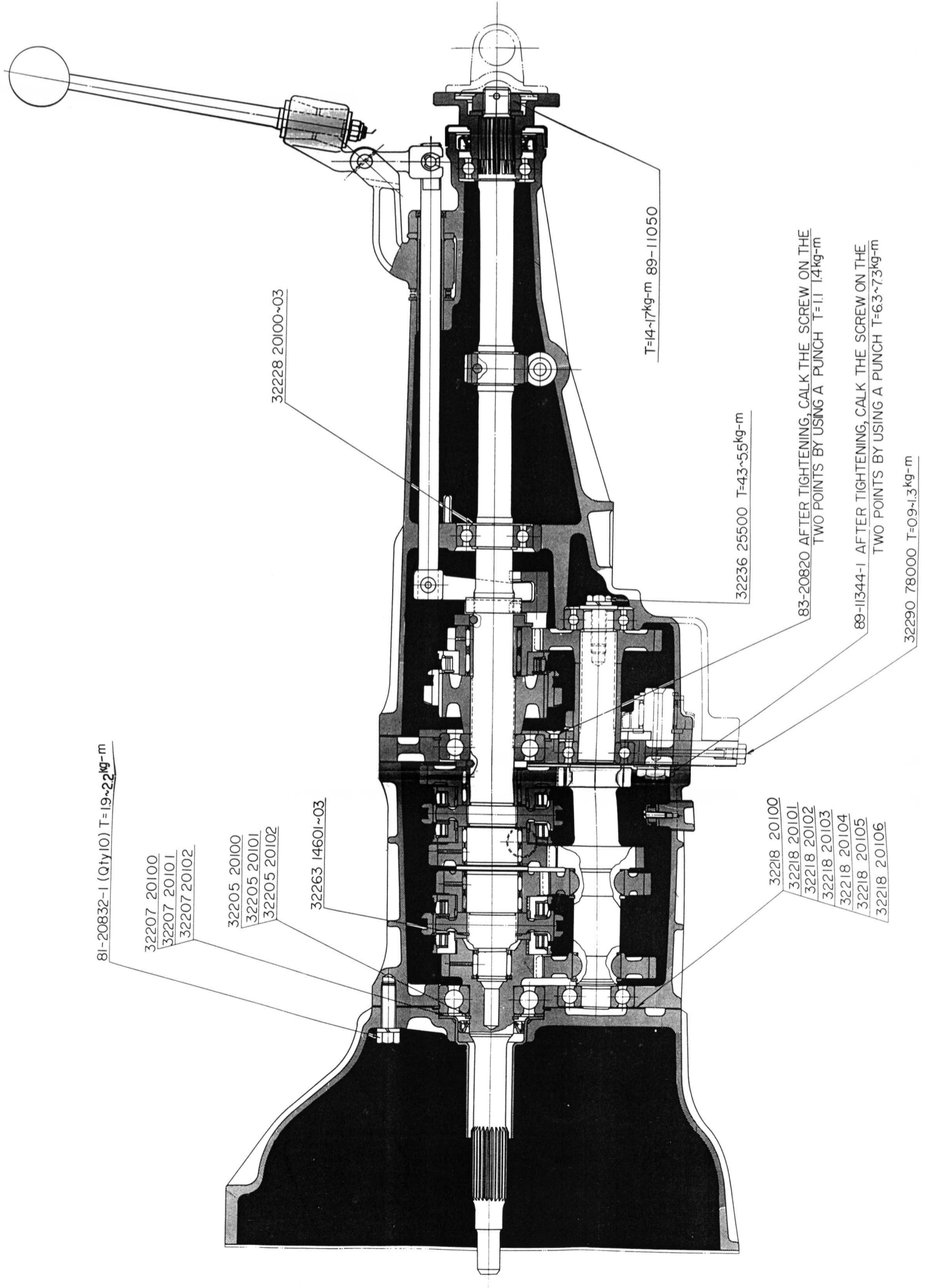


TRANSMISSION TYPE FS5C71A



GEAR RATIO	
1ST	2.678
2ND	1.704
3RD	1.262
4TH	1.000
5TH	0.852
REV	2.922