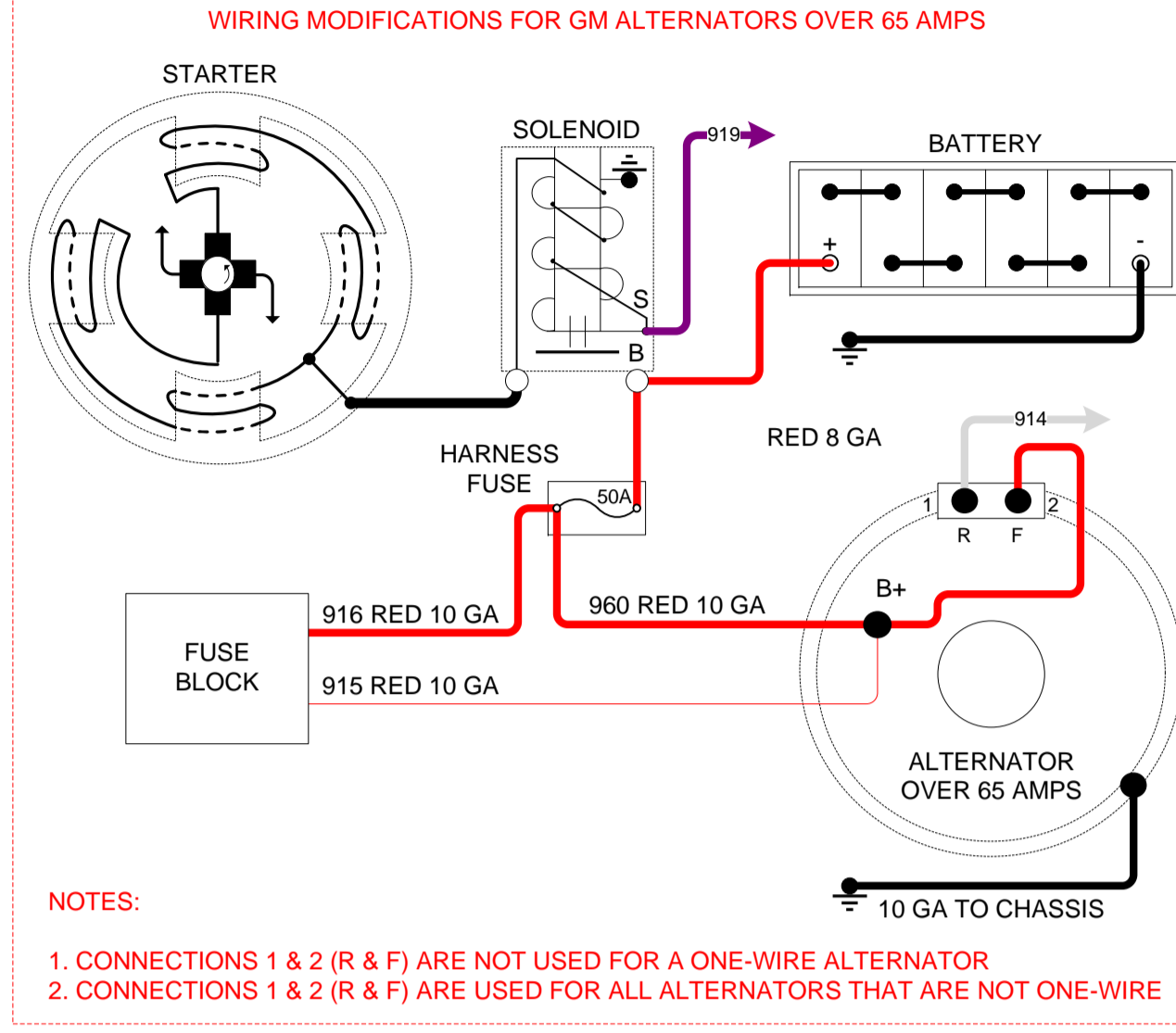
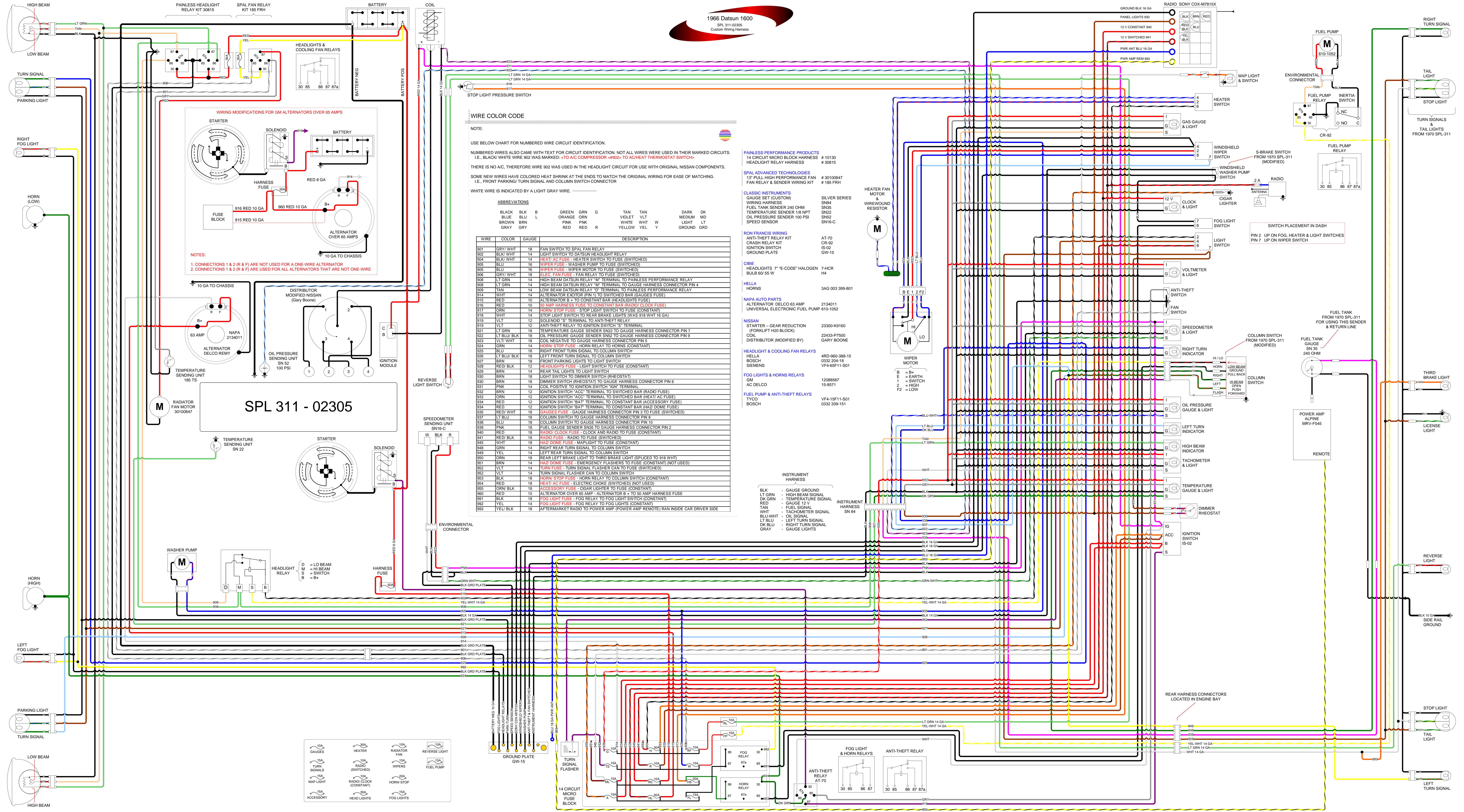


1966 Datsun 1600
SPL 311-02305
Custom Wiring Harness



WIRE COLOR CODE

NOTE: USE BELOW CHART FOR NUMBERED WIRE CIRCUIT IDENTIFICATION. NUMBERED WIRES ALSO CAME WITH TEXT FOR CIRCUIT IDENTIFICATION. NOT ALL WIRES WERE USED IN THEIR MARKED CIRCUITS. I.E., BLACK/WHITE WIRE 902 WAS MARKED: <TO A/C COMPRESSOR <#902> TO A/C HEAT THERMOSTAT SWITCH>. THERE IS NO A/C, THEREFORE WIRE 902 WAS USED IN THE HEADLIGHT CIRCUIT FOR USE WITH ORIGINAL NISSAN COMPONENTS. SOME NEW WIRES HAVE COLORED HEAT SHRINK AT THE ENDS TO MATCH THE ORIGINAL WIRING FOR EASE OF MATCHING. I.E., FRONT PARKING/ TURN SIGNAL AND COLUMN SWITCH CONNECTOR

WHITE WIRE IS INDICATED BY A LIGHT GRAY WIRE.

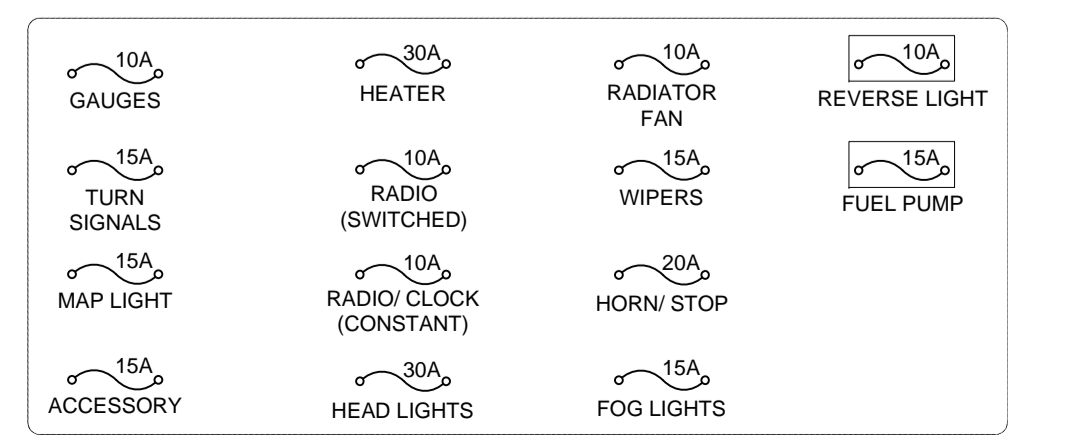
ABBREVIATIONS

BLACK	BLK	B	GREEN	GRN	G	TAN	TAN	DARK	DK	
BROWN	BRN	L	ORANGE	ORN	O	VIOLET	VLT	MEDIUM	MD	
GRAY	GRY		PINK	PNK	P	WHITE	WHT	LIGHT	LT	
			RED	RED	R	YELLOW	YEL	Y	GROUND	GRD

WIRE	COLOR	GAUGE	DESCRIPTION
001	GRY/ WHT	18	FAN SWITCH TO SPAL FAN RELAY
002	BLK/ WHT	14	LIGHT SWITCH TO DATSUN HEADLIGHT RELAY
004	BLK/ WHT	14	HEAT AC FUSE - HEATER SWITCH TO FUSE (SWITCHED)
005	BLU	16	WIPER FUSE - WASHER PUMP TO FUSE (SWITCHED)
006	GRY/ WHT	16	WIPER FUSE - WIPER MOTOR TO FUSE (SWITCHED)
008	LT GRN	14	ELEC. FAN FUSE - FAN RELAY TO FUSE (SWITCHED)
009	LT GRN	14	HIGH BEAM DATSUN RELAY "M" TERMINAL TO GAUGE HARNESS CONNECTOR PIN 4
014	WHT	14	LOW BEAM DATSUN RELAY "D" TERMINAL TO PAINLESS PERFORMANCE RELAY
017	ORN	14	ALTERNATOR EXCITOR (PIN 1) TO SWITCHED BAR (GAUGES) FUSE
018	WHT	14	ALTERNATOR B+ TO CONSTANT BAR (HEADLIGHTS) FUSE
019	RED	10	50 AMP HARNESS FUSE TO CONSTANT BAR (RADIO/ CLOCK FUSE)
021	GRN	14	HORN/ STOP FUSE - STOP LIGHT SWITCH TO FUSE (CONSTANT)
022	LT BLU/ BLK	18	OIL PRESSURE GAUGE SENDER SN22 TO GAUGE HARNESS CONNECTOR PIN 7
023	VLT/ WHT	18	COIL NEGATIVE TO GAUGE HARNESS CONNECTOR PIN 5
024	GRN	14	HORN/ STOP FUSE - HORN RELAY TO HORNS (CONSTANT)
025	BLU	18	RIGHT FRONT TURN SIGNAL TO COLUMN SWITCH
026	LT BLU/ BLK	18	LEFT FRONT TURN SIGNAL TO COLUMN SWITCH
027	BRN	18	FRONT PARKING LIGHTS TO LIGHT SWITCH
028	RED/ BLK	12	HEADLIGHTS FUSE - LIGHT SWITCH TO FUSE (CONSTANT)
029	BRN	14	REAR TAIL LIGHTS TO LIGHT SWITCH
030	BRN	18	LIGHT SWITCH TO DIMMER SWITCH (RHEOSTAT)
031	PNK	14	DIMMER SWITCH (RHEOSTAT) TO GAUGE HARNESS CONNECTOR PIN 6
032	BRN	12	IGNITION SWITCH "ACC" TERMINAL TO SWITCHED BAR (RADIO FUSE)
033	ORN	12	IGNITION SWITCH "ACC" TERMINAL TO SWITCHED BAR (HEAT/ AC FUSE)
034	RED	12	IGNITION SWITCH "BAT" TERMINAL TO CONSTANT BAR (ACCESSORY FUSE)
035	RED/ WHT	18	IGNITION SWITCH "BAT" TERMINAL TO CONSTANT BAR (H22 DOME FUSE)
037	LT BLU	18	GAUGE FUSE - GAUGE HARNESS CONNECTOR PIN 3 TO FUSE (SWITCHED)
038	BLU	18	COLUMN SWITCH TO GAUGE HARNESS CONNECTOR PIN 10
039	GRN	18	COLUMN SWITCH TO GAUGE HARNESS CONNECTOR PIN 2
040	RED	18	RADIO/ CLOCK FUSE - CLOCK AND RADIO TO FUSE (CONSTANT)
041	RED/ BLK	18	RADIO FUSE - RADIO TO FUSE (SWITCHED)
045	WHT	18	H22 DOME FUSE - MAPLIGHT TO FUSE (CONSTANT)
048	GRN	14	FUEL GAUGE SENDER SN22 TO GAUGE HARNESS CONNECTOR PIN 7
049	YEL	14	RIGHT REAR TURN SIGNAL TO COLUMN SWITCH
050	ORN	18	LEFT REAR TURN SIGNAL TO COLUMN SWITCH
051	BRN	14	REAR LEFT BRAKE LIGHT TO THIRD BRAKE LIGHT (SPliced TO 918 WHT)
052	VLT	14	H22 DOME FUSE - EMERGENCY FLASHERS TO FUSE (CONSTANT) (NOT USED)
053	VLT	14	TURN SIGNAL FLASHER CAN TO FUSE (SWITCHED)
054	BLK	18	TURN SIGNAL FLASHER CAN TO COLUMN SWITCH
055	BLK	18	HORN/ STOP FUSE - HORN RELAY TO COLUMN SWITCH (CONSTANT)
056	ORN/ BLK	18	HEAT AC FUSE - ELECTRIC CHOKER (SWITCHED) (NOT USED)
060	RED	10	ACCESSORY FUSE - CIGAR LIGHTER TO FUSE (CONSTANT)
061	BLK	10	ALTERNATOR OVER 65 AMP - ALTERNATOR B+ TO 50 AMP HARNESS FUSE
062	YEL	14	FOG LIGHT FUSE - FOG RELAY TO FOG LIGHTS (CONSTANT)
063	YEL/ BLK	18	FOG LIGHT FUSE - FOG RELAY TO FOG LIGHTS (CONSTANT)
064	YEL/ BLK	18	AFTERMARKET RADIO TO POWER AMP (POWER AMP REMOTE) RAN INSIDE CAR DRIVER SIDE

- PAINLESS PERFORMANCE PRODUCTS**
14 CIRCUIT MICRO BLOCK HARNESS # 10130
HEADLIGHT RELAY HARNESS # 30815
- SPAL ADVANCED TECHNOLOGIES**
13" PULL HIGH PERFORMANCE FAN FAN RELAY & SENDER WIRING KIT # 30100847
185 FRH
- CLASSIC INSTRUMENTS**
GAUGE SET (CUSTOM) SILVER SERIES SN84
WIRING HARNESS SN35
FUEL TANK SENDER 240 OHM SN35
TEMPERATURE SENDER 1/8" NPT SN22
OIL PRESSURE SENDER 100 PSI SN22
SPEED SENSOR SN16-C
- RON FRANCIS WIRING**
ANTI-THEFT RELAY KIT AT-70
CRASH RELAY KIT CR-92
IGNITION SWITCH IS-02
GROUND PLATE GW-15
- CIBIE**
HEADLIGHTS 7" "E-CODE" HALOGEN BULB 60/55 W 7-HCR
- HELLA**
HORNS 3AG 003 399-801
- NAPA AUTO PARTS**
ALTERNATOR DELCO 63 AMP 2134011
UNIVERSAL ELECTRONIC FUEL PUMP 610-1052
- NISSAN**
STARTER - GEAR REDUCTION 23300-K9160
(FORKLIFT H20 BLOCK) 22433-P7500
DISTRIBUTOR (MODIFIED BY) GARY BOONE
- HEADLIGHT & COOLING FAN RELAYS**
HELLA 4RD-960-388-15
BOSCH 032 204-18
SIEMENS VF4-65F11-S01
- FOG LIGHTS & HORNS RELAYS**
GM 12088567
AC DELCO 15-9571
- FUEL PUMP & ANTI-THEFT RELAYS**
TYCO VF4-15F11-S01
BOSCH 032 209-151

- INSTRUMENT HARNESS**
- BLK - GAUGE GROUND
 - LT GRN - HIGH BEAM SIGNAL
 - DK GRN - TEMPERATURE SIGNAL
 - GRY - GAUGE G/V
 - TAN - FUEL SIGNAL
 - WHT - TACHOMETER SIGNAL
 - BLU/ WHT - OIL SIGNAL
 - LT BLU - LEFT TURN SIGNAL
 - DK BLU - RIGHT TURN SIGNAL
 - GRAY - GAUGE LIGHTS
- INSTRUMENT HARNESS SN 84**



SWITCH PLACEMENT IN DASH
PIN 2 UP ON FOG, HEATER & LIGHT SWITCHES
PIN 7 UP ON WIPER SWITCH

FUEL TANK GAUGE FROM 1970 SPL-311 FOR USING THIS SENDER & RETURN LINE

POWER AMP ALPINE MRV-F545

REAR HARNESS CONNECTORS LOCATED IN ENGINE BAY