

CHASSIS

CHASSIS

DATSUN SPORTS CAR

PARTS CATALOGUE

MODEL SP 310 · SPL 310

CHASSIS

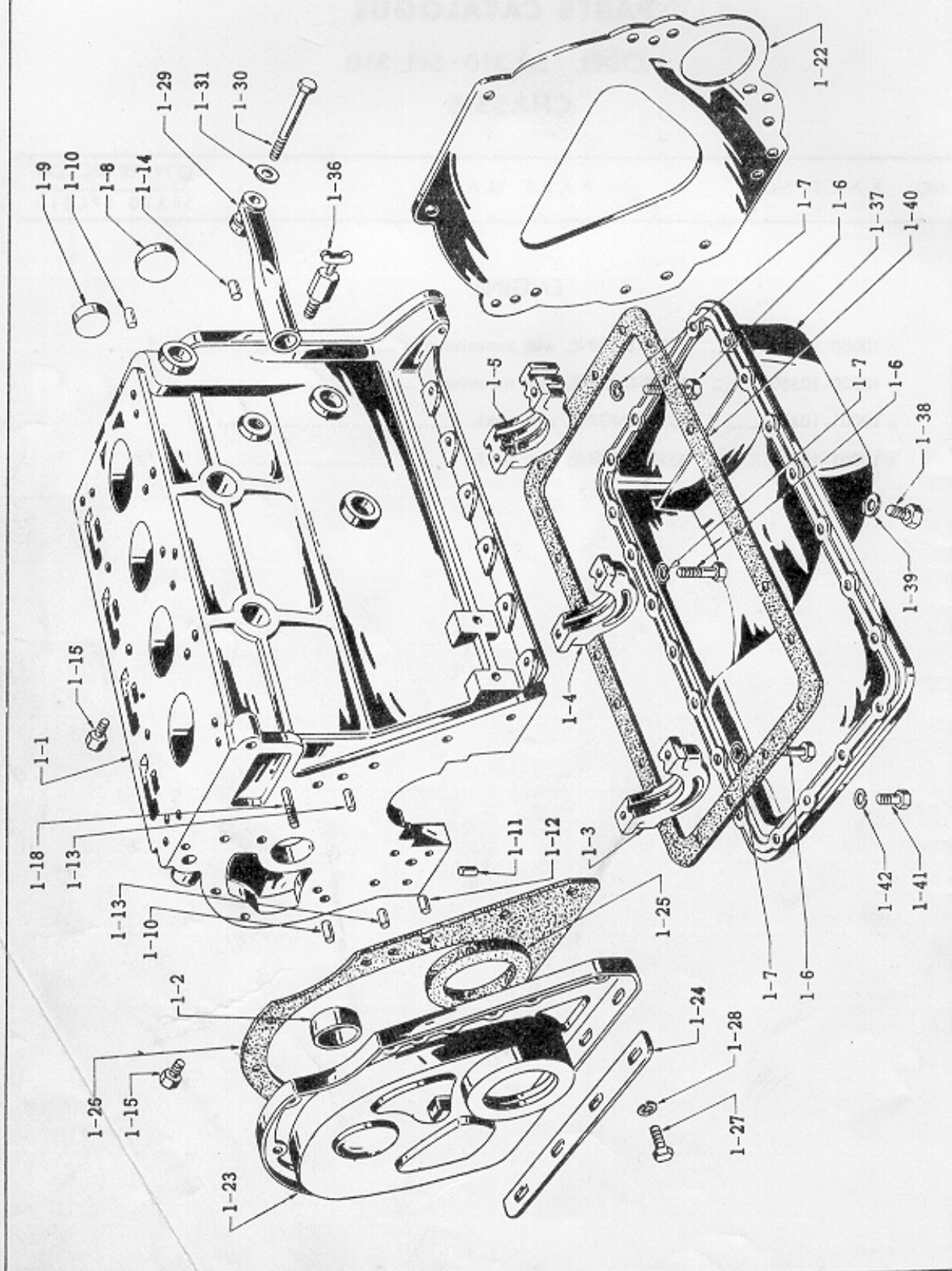
ILL. NO.	PART NO.	PART NAME	Q'TY PER SECTION	
			SP310	SPL310

ENGINE

o 10000-10450.....	ASS'Y-ENGINE, with transmission	1	-
o 10000-10550.....	ASS'Y-ENGINE, with transmission	U-1	1
o 10001-10450.....	ASS'Y-ENGINE, with clutch	1	-
o 10001-10550.....	ASS'Y-ENGINE, with clutch	U-1	1

CYLINDER BLOCK

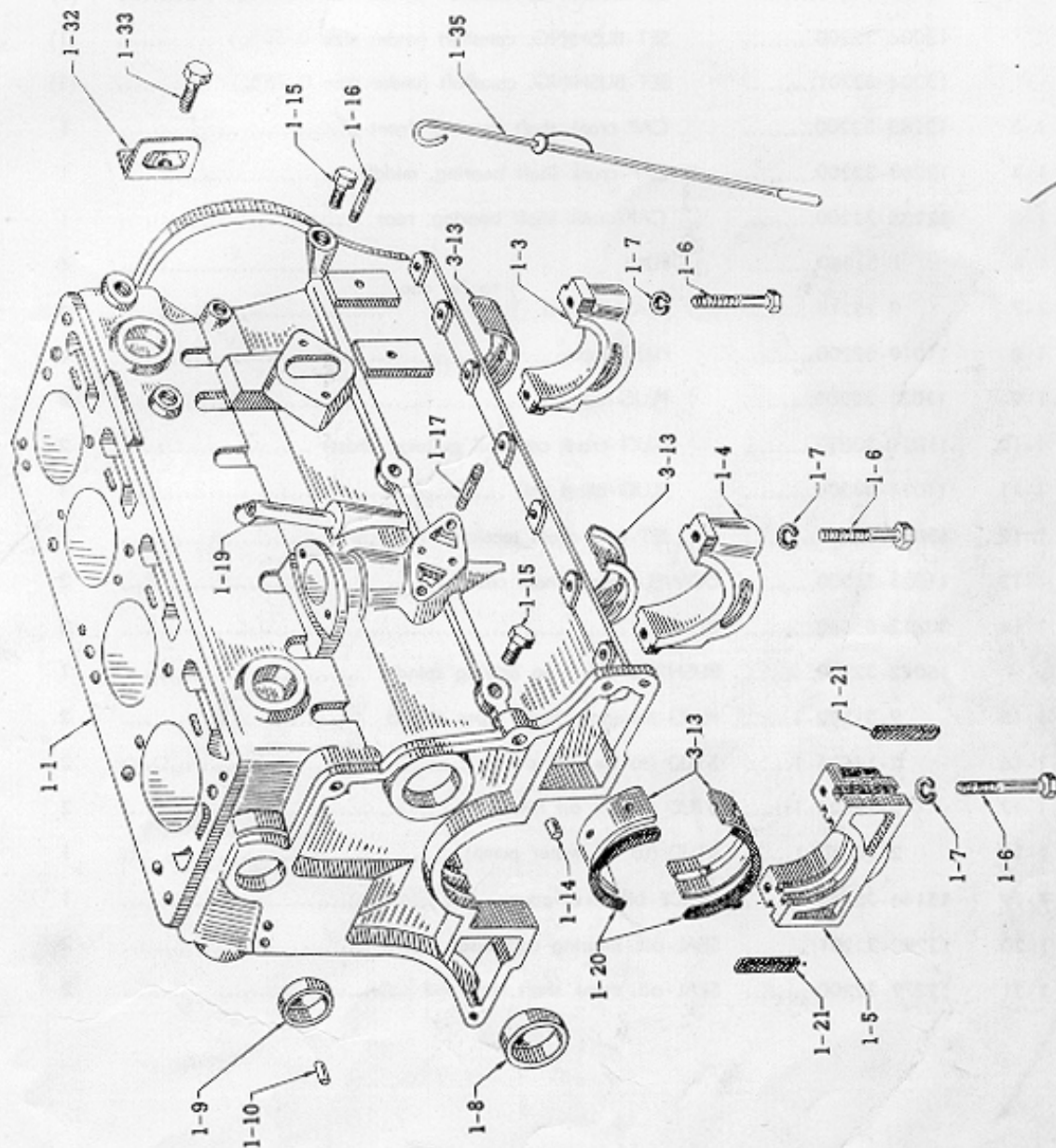
Fig. 1



CYLINDER BLOCK

Fig. 1-A

O. H. GSKS. 10101-12227



ILL. NO.	PART NO.	PART NAME	Q'TY PER SECTION	
			SP310	SPL310

CYLINDER

1-1	11010-32225.....	ASS'Y-BLOCK, cylinder with plug	1	1
1-2	13002-32200.....	SET-BUSHING, camshaft	1	1
	13003-32200.....	SET-BUSHING, camshaft (under size 0.25%)	(1)	(1)
	13004-32200.....	SET-BUSHING, camshaft (under size 0.50%)	(1)	(1)
	13004-32201.....	SET-BUSHING, camshaft (under size 0.75%)	(1)	(1)
1-3	12282-32200.....	CAP-crank shaft bearing, front	1	1
1-4	12283-32200.....	CAP-crank shaft bearing, middle	1	1
1-5	12286-32200.....	CAP-crank shaft bearing, rear	1	1
1-6	1-31880.....	BOLT	} to fix cap	6
1-7	9-15218.....	WASHER-lock		
1-8	11019-32200.....	PLUG-taper	1	1
1-9	11021-32200.....	PLUG-taper	5	5
1-10	11021-30000.....	PLUG-crank case oil gallery (brass)	2	2
1-11	11024-03200.....	PLUG-blind (Al)	1	1
1-12	13081-32201.....	JET-oil, chain tensioner (Al)	1	1
1-13	11023-32200.....	DOWEL-timing chain case	2	2
1-14	30412-85060.....	DOWEL	2	2
	15042-32200.....	BUSHING-oil pump driving spindle	1	1
1-15	9-31302-1.....	PLUG-hexagon, head taper thread	2	2
1-16	2-14525-1.....	STUD (to fix fuel pump).....	2	2
1-17	2-14622-1.....	STUD (to fix oil filter)	2	2
1-18	2-14650-1.....	STUD (to fix water pump)	1	1
1-19	15146-25660.....	GUIDE-oil level gauge	1	1
1-20	12289-32201.....	SEAL-oil, bearing cap side	2	2
1-21	12279-32200.....	SEAL-oil, crank shaft rear end	2	2

ILL. NO.	PART NO.	PART NAME	Q'TY PER SECTION	
			SP310	SPL310

CYLINDER FITTING

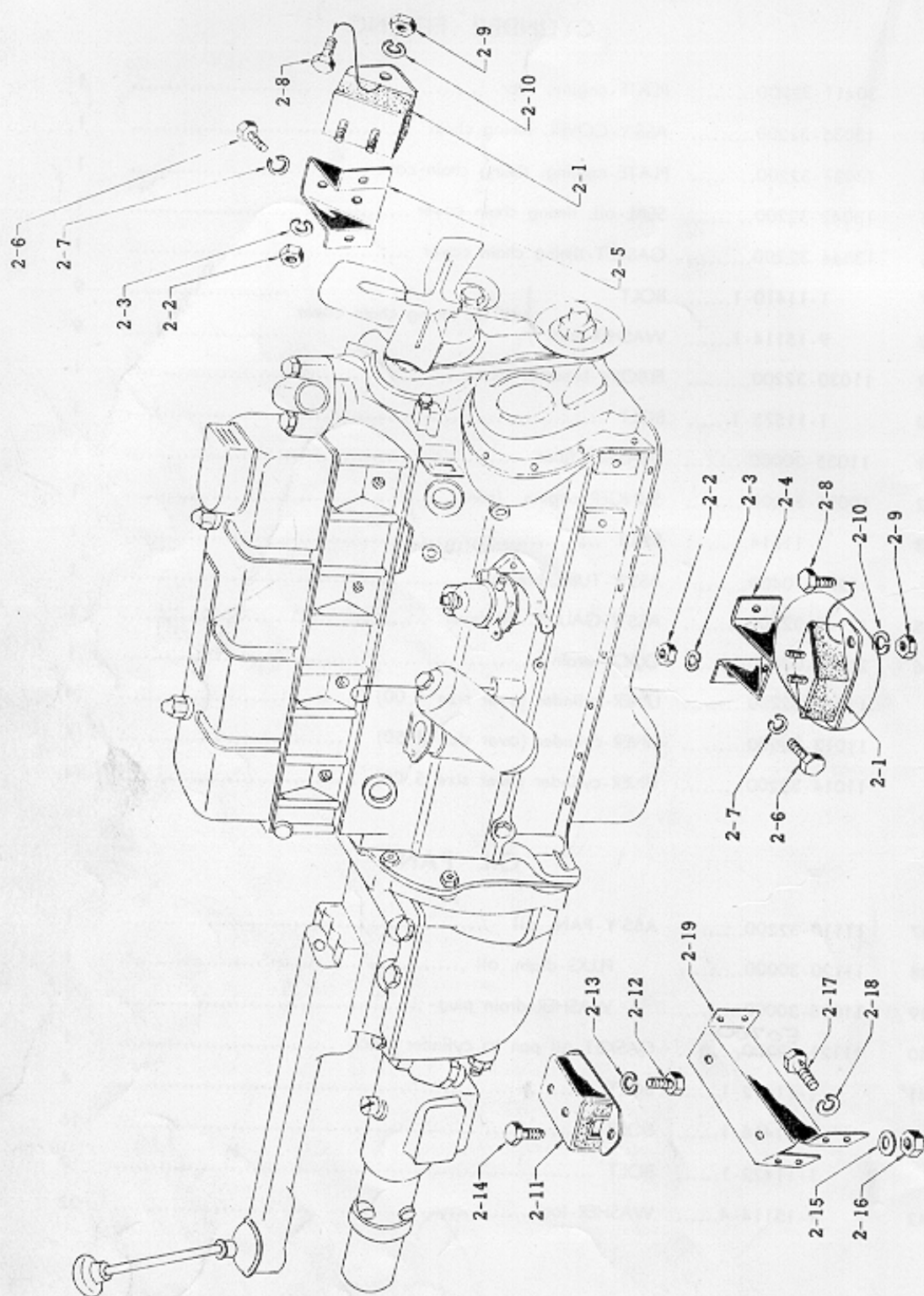
1-22	30411-32200.....	PLATE-engine, rear	1	1
1-23	13035-32200.....	ASS'Y-COVER, timing chain	1	1
1-24	13037-32200.....	PLATE-tapping, timing chain cover	1	1
1-25	13042-32200.....	SEAL-oil, timing chain cover	1	1
1-26	13044-32200.....	GASKET-timing chain cover	1	1
1-27	1-11410-1.....	BOLT	9	9
1-28	9-15114-1.....	WASHER-lock } to fix timing chain cover	9	9
1-29	11030-32200.....	ELBOW-breather tube.....	1	1
1-30	1-11575-1.....	BOLT	1	1
1-31	11035-30000.....	WASHER-fiber	1	1
1-32	10005-32200.....	SLINGER-engine, front	1	1
1-33	1-11614.....	BOLT	1	1
1-35	15262-10400.....	ASS'Y-TUBE, breather	1	1
1-35	15140-32200.....	ASS'Y-GAUGE, oil level	1	1
1-36	21211-00800.....	COCK-drain	1	1
	11012-32200.....	LINER-cylinder (over size 4.00)	(4)	(4)
	11013-32200.....	LINER-cylinder (over size 4.50)	(4)	(4)
	11014-32200.....	LINER-cylinder (over size 5.00)	(4)	(4)

OIL PAN

1-37	11110-32200.....	ASS'Y-PAN, oil	1	1
1-38	11120-30000.....	PLUG-drain, oil	1	1
1-39	11026-30000.....	WASHER-drain plug	1	1
1-40	11121-32200.....	GASKET-oil pan to cylinder block	1	1
1-41	1-11412-1.....	BOLT	4	4
	1-11416-1.....	BOLT	16	16
	1-11422-1.....	BOLT	2	2
1-42	9-15114-4.....	WASHER-lock	22	22

ENGINE MOUNTING

Fig. 2



ILL. NO.	PART NO.	PART NAME	Q'TY PER SECTION	
			SP310	SPL310

ENGINE FRONT MOUNTING

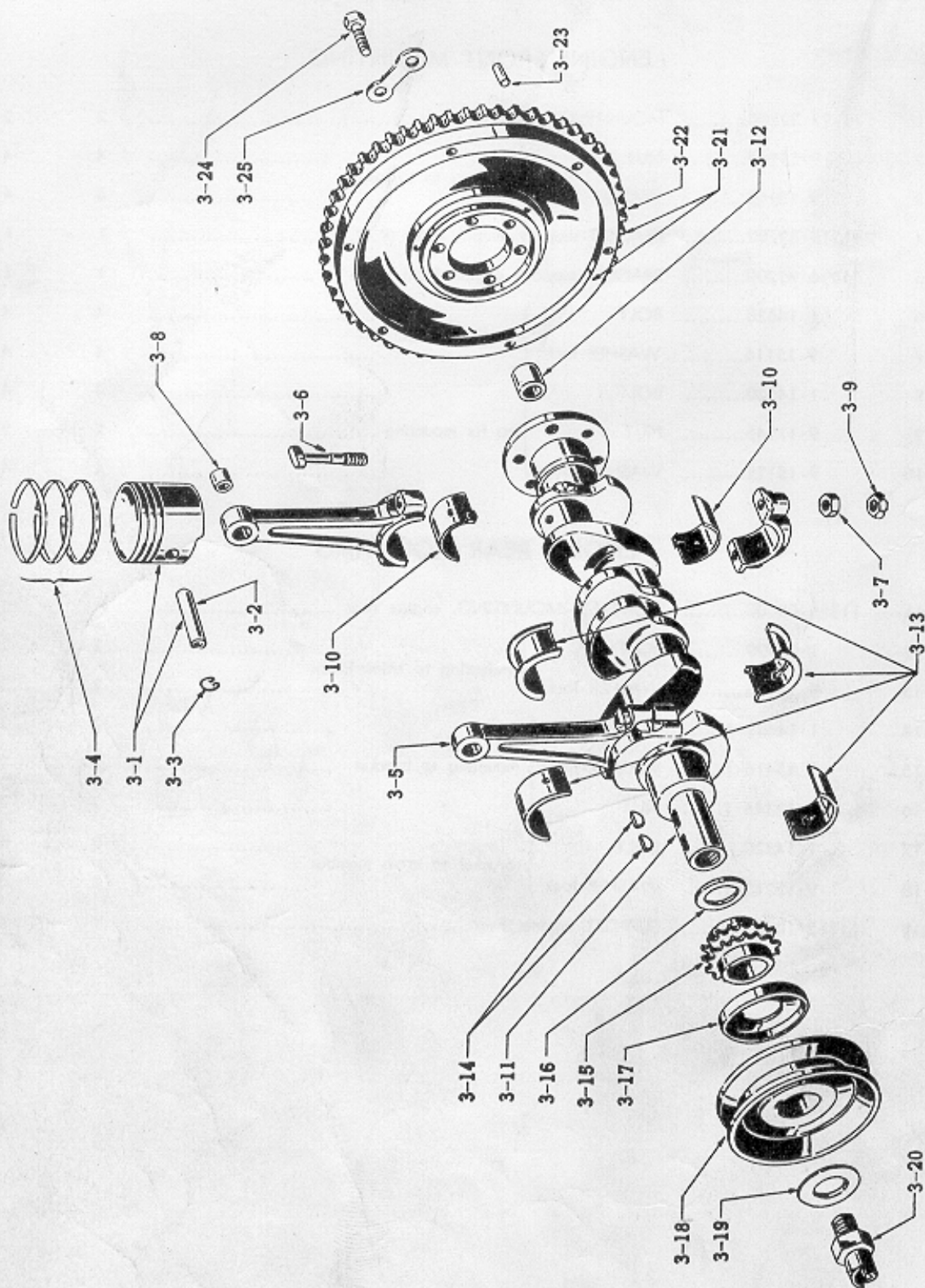
2-1	11223-32200.....	MOUNTING-engine, front	2	2
2-2	9-11145.....	NUT	} mounting to bracket	4
2-3	9-15115.....	WASHER-lock		
2-4	11215-32200.....	BRACKET-support, engine front (R.H.)	1	1
2-5	11216-32200.....	BRACKET-support, engine front (L.H.)	1	1
2-6	1-14628.....	BOLT	} to fix bracket	4
2-7	9-15116.....	WASHER-lock		
2-8	1-14520.....	BOLT	} to fix mounting	4
2-9	9-11145.....	NUT		
2-10	9-15115.....	WASHER-lock		

ENGINE REAR MOUNTING

2-11	11328-08000.....	COMPLETE-MOUNTING, engine rear	1	1
2-12	1-14520.....	BOLT	} mounting to transmission	2
2-13	9-15115.....	WASHER-lock		
2-14	1-14622-1.....	BOLT	} mounting to bracket	2
2-15	9-15416-1.....	WASHER-plain		
2-16	9-12346-1.....	NUT		
2-17	1-14520.....	BOLT	} bracket to cross member	8
2-18	9-15215.....	WASHER-lock		
2-19	11312-10401.....	SUPPORT-engine, rear	1	1

PISTON & CRANK SHAFT

Fig. 3



ILL. NO.	PART NO.	PART NAME	Q'TY PER SECTION	
			SP310	SPL310

PISTON

3-1	12010-32200.....	SET-PISTON, WITH PISTON PIN (standard size)	4	4
	12010-32202.....	SET-PISTON, WITH PISTON PIN (0.25 % _n over size)	(4)	(4)
	12010-32203.....	SET-PISTON, WITH PISTON PIN (0.50 % _n over size)	(4)	(4)
	12010-32204.....	SET-PISTON, WITH PISTON PIN (0.75 % _n over size)	(4)	(4)
	12010-32205.....	SET-PISTON, WITH PISTON PIN (1.00 % _n over size)	(4)	(4)
	12010-32207.....	SET-PISTON, WITH PISTON PIN (1.50 % _n over size)	(4)	(4)
3-2	12024-32200.....	PIN-piston	4	4
3-3	12032-32200.....	RING-snap, piston pin	8	8
3-4	12033-32200.....	SET-RING, piston (standard size)	1	1
	12035-32200.....	SET-RING, piston (0.25 % _n over size)	(1)	(1)
	12036-32200.....	SET-RING, piston (0.50 % _n over size)	(1)	(1)
	12037-32200.....	SET-RING, piston (0.75 % _n over size)	(1)	(1)
	12038-32200.....	SET-RING, piston (1.00 % _n over size)	(1)	(1)
	12040-32200.....	SET-RING, piston (1.50 % _n over size)	(1)	(1)

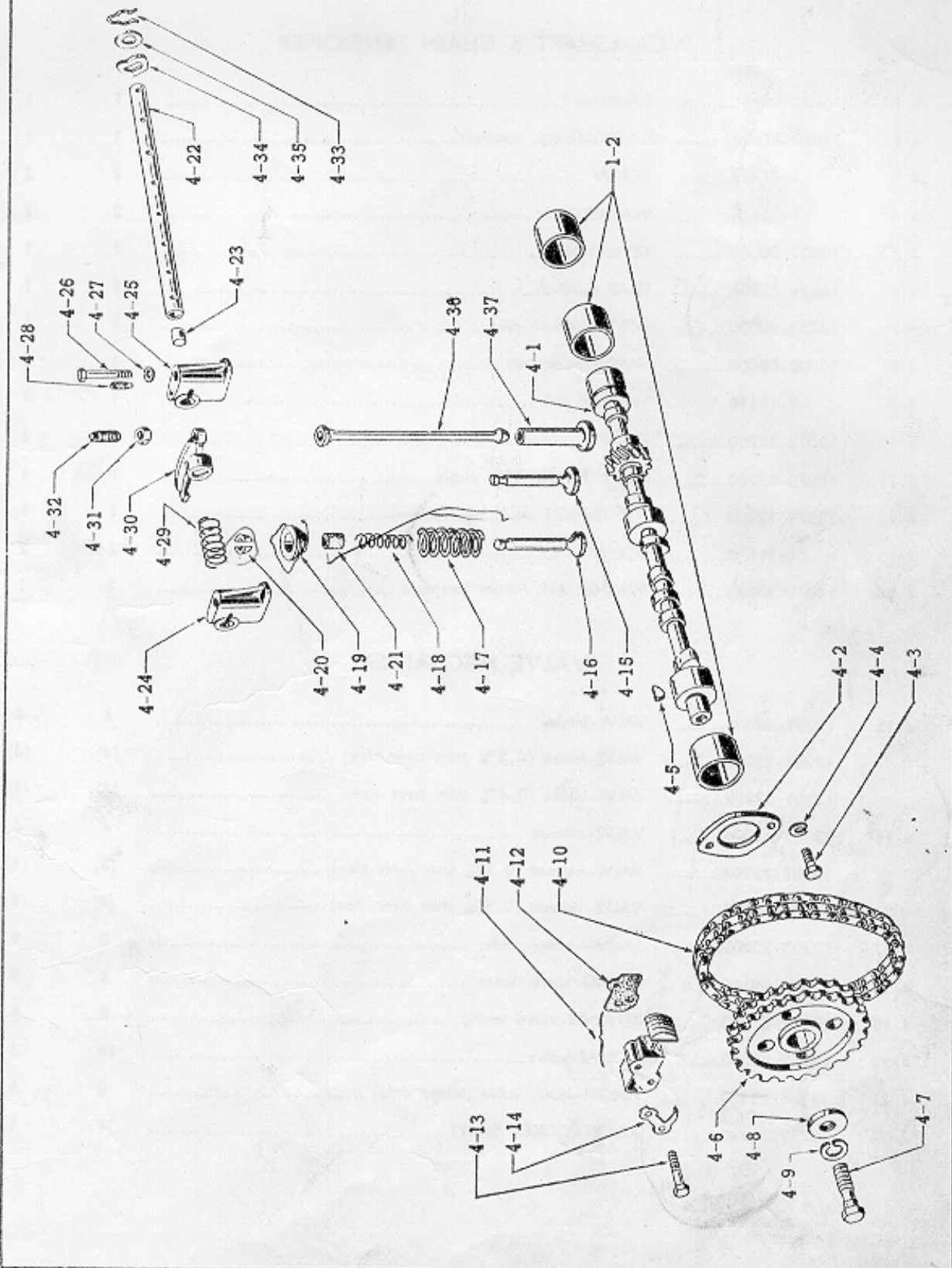
CONNECTING ROD

3-5	12100-32200.....	ASS'Y-ROD, connecting	4	4
3-6	12109-32200.....	BOLT-connecting rod	8	8
3-7	9-11246.....	NUT	8	8
3-8	12030-32200.....	BUSHING-connecting rod small end	4	4
3-9	12112-58000.....	NUT-pal	8	8
3-10	12111-10400.12210	BUSHING-connecting rod, (standard size)	8	8
	12121-10400.....	BUSHING-connecting rod, (0.06 % _n under size)	(8)	(8)
	12122-10400.....	BUSHING-connecting rod, (0.12 % _n under size)	(8)	(8)
	12117-10400.12210	BUSHING-connecting rod, (0.25 % _n under size)	(8)	(8)
	12118-10400.12210	BUSHING-connecting rod, (0.50 % _n under size)	(8)	(8)
	12119-10400.....	BUSHING-connecting rod, (0.75 % _n under size)	(8)	(8)
	12120-10400.....	BUSHING-connecting rod, (1.00 % _n under size)	(8)	(8)

0.0 UNDER
20
30
40

CAMSHAFT & VALVE GEAR

Fig. 4



ILL. NO.	PART NO.	PART NAME	Q'TY PER SECTION	
			SP310	SPL310

CAMSHAFT & CHAIN TENSIONER

4-1	13001-10401	CAMSHAFT	1	1
4-2	13010-32200	PLATE-locating, camshaft	1	1
4-3	1-11418	SCREW	2	2
4-4	1-15114	WASHER-lock	2	2
4-5	13032-30000	KEY-camshaft	1	1
4-6	13024-32200	GEAR-camshaft	1	1
4-7	13082-08000	BOLT-camshaft gear	1	1
4-8	13030-08000	WASHER-camshaft	1	1
4-9	9-15116-1	WASHER-lock	1	1
4-10	13028-32200	CHAIN-camshaft	1	1
4-11	13070-32200	ASS'Y-TENSIONER, chain	1	1
4-12	13079-32200	GASKET-chain tensioner	1	1
4-13	1-11438	SCREW	2	2
4-14	13078-32200	WASHER-lock, chain tensioner	1	1

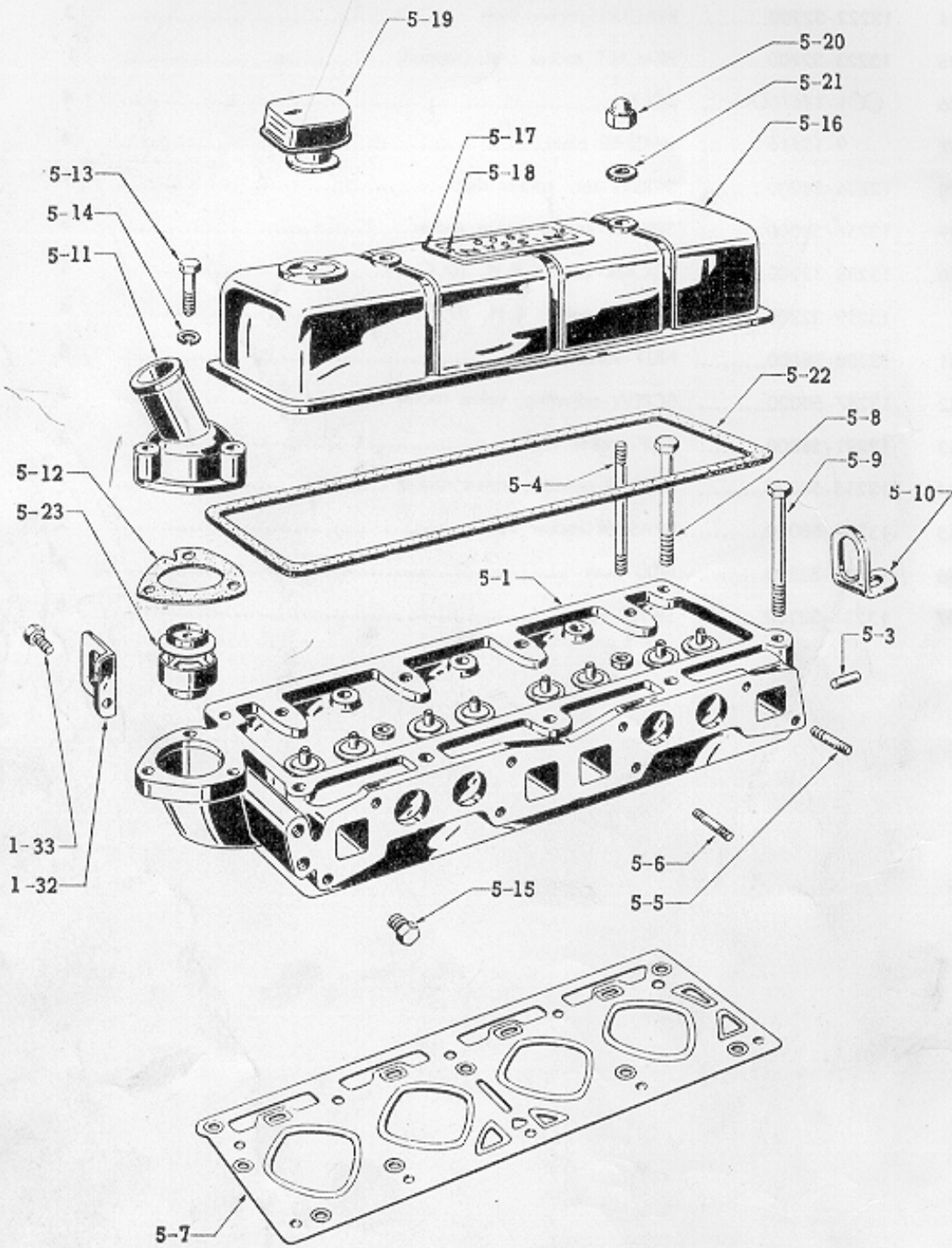
VALVE MECHANISM

4-15	13201-32203	VALVE-intake	4	4
	13201-32201	VALVE-intake (0.2% stem over size)	(4)	(4)
	13201-32202	VALVE-intake (0.4% stem over size)	(4)	(4)
4-16	13202- ³²⁻²⁰³ 32204	VALVE-exhaust	4	4
	13202-32204	VALVE-exhaust (0.2% stem over size)	(4)	(4)
	13202-32205	VALVE-exhaust (0.4% stem over size)	(4)	(4)
4-17	13203-32200	SPRING-valve, outer	8	8
4-18	13204-08100	SPRING-valve, inner	8	8
4-19	13209-08000	RETAINER-valve spring	8	8
4-20	13210-32200	COLLAR-valve	16	16
4-21	13207- ¹⁰⁴⁰⁰ 76200	RING-bubber, valve (intake only)	8	8
4-22	13252-32200	ASS'Y-ROCKER SHAFT	1	1

ILL. NO.	PART NO.	PART NAME	QTY PER SECTION	
			SP310	SPL310
4-23	13254-58000.....	PLUG-expansion, rocker spindle	2	2
4-24	13222-32200.....	BRACKET-rocker shaft	3	3
4-25	13223-32200.....	BRACKET-rocker shaft (tapped)	1	1
4-26	001-1467000.....	BOLT	4	4
4-27	9-15416.....	WASHER-plain.....	4	4
4-28	13226-58000.....	SCREW-set, rocker shaft	1	1
4-29	13256-58000.....	SPRING-inside, valve rocker	3	3
4-30	13258-32200.....	ROCKER-valve R.H. (D.C.I.).....	4	4
	13259-32200.....	ROCKER-valve L.H. (D.C.I.).....	4	4
4-31	13288-58000.....	NUT-valve rocker	8	8
4-32	13287-58000.....	SCREW-adjusting, valve rocker	8	8
4-33	13291-58000.....	CLIP-rocker shaft.....	2	2
4-34	13255-58000.....	SPRING-outside, valve rocker	2	2
4-35	13289-58000.....	WASHER-rocker shaft	2	2
4-36	13238-32200.....	ROD-push	8	8
4-37	13231-32200.....	LIFTER-valve	8	8

CYLINDER HEAD

Fig. 5



ILL. NO.	PART NO.	PART NAME	QTY PER SECTION	
			SP310	SPL310

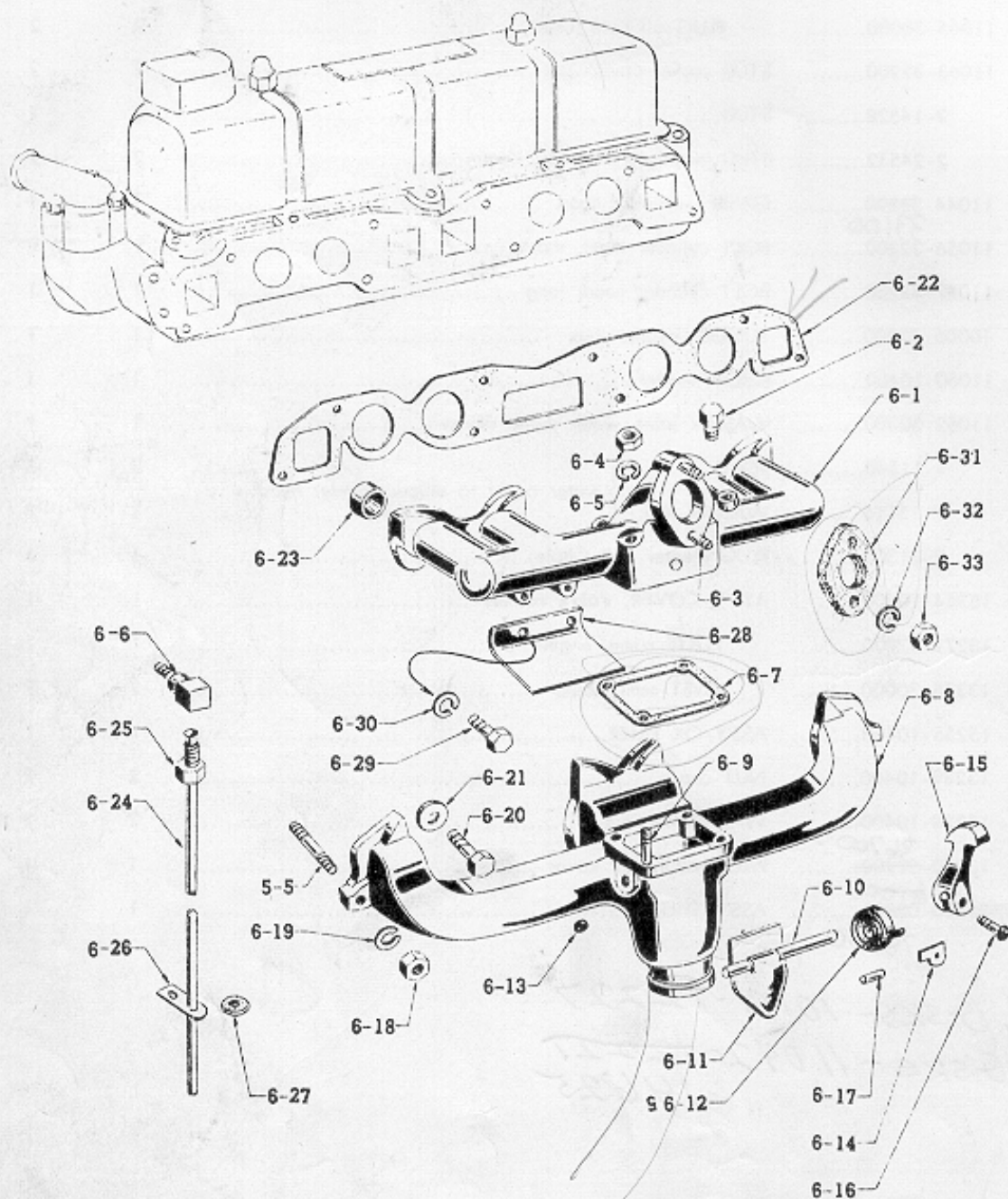
CYLINDER HEAD & ROCKER COVER

5-1	11041-10400	ASS'Y-HEAD, cylinder	1	1
	11021-32200	PLUG-taper	1	1
5-3	11065-30000	PLUG-oil hole (brass)	2	2
5-4	11063-32200	STUD-rocker cover	2	2
5-5	2-14528	STUD	2	2
5-6	2-24532	STUD (manifold mounting, center)	2	2
5-7	11044- 32200 33100	GASKET-cylinder head	1	1
5-8	11056-32200	BOLT-cylinder head, short	9	9
5-9	11057-32200	BOLT-cylinder head, long	1	1
5-10	10006-32200	SLINGER-engine, rear	1	1
5-11	11060-10400	ELBOW-outlet	1	1
5-12	11062-30000	WASHER-joint, water outlet elbow	1	1
5-13	1-11540	BOLT	3	3
5-14	9-15115	WASHER-lock } water outlet to elbow cylinder head		
5-15	9-31306	PLUG (heater outlet hole)	1	1
5-16	13264-10400	ASS'Y-COVER, valve rocker	1	1
5-17	13271-32200	PLATE-name, engine	1	1
5-18	13278-30000	RIVET-semi tubular	2	2
5-19	15255-10400	ASS'Y-OIL FILLER	1	1
5-20	13239-10400	NUT-cap	2	2
5-21	13228-10400	WASHER-cap nut	2	2
5-22	13270- 32200 31700	PACKING-rocker cover	1	1
5-23	21200- 08001 78900	ASS'Y-THERMOSTAT	1	1

O.H. GSKS-10101-12727
 V.G. GSKS-11042-12717
 14625

MANIFOLD

Fig. 6



ILL. NO.	PART NO.	PART NAME	Q'TY PER SECTION	
			SP310	SPL310

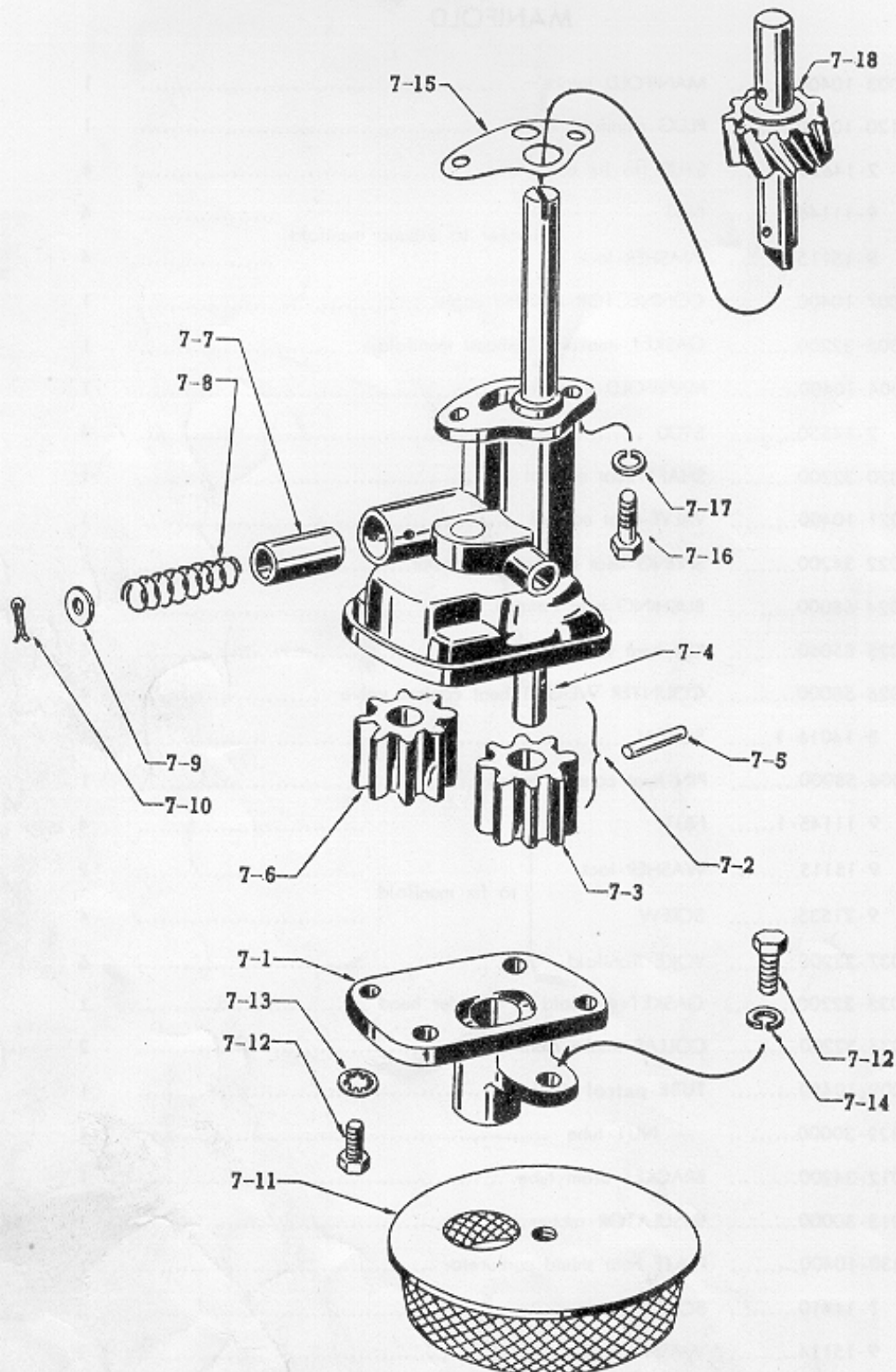
MANIFOLD

6-1	14003-10400	MANIFOLD-intake	1	1
6-2	11120-10460	PLUG-manifold 1/8"	1	1
6-3	2-14626	STUD (to fix carburetor)	4	4
6-4	9-11145	NUT	4	4
6-5	9-15115	WASHER-lock	4	4
			} intake to exhaust manifold	
6-6	14007-10400	CONNECTOR-inverted angle	1	1
6-7	14005-32200	GASKET-intake to exhaust manifold	1	1
6-8	14004-10400	MANIFOLD-exhaust	1	1
6-9	2-14550	STUD	4	4
6-10	14020-32200	SHAFT-heat control	1	1
6-11	14021-10400	VALVE-heat control	1	1
6-12	14022-34200	SPRING-heat control, thermostat	1	1
6-13	14024-58000	BUSHING-heat control, valve	2	2
6-14	14025-85060	KEY-heat valve lever	1	1
6-15	14026-58000	COUNTER WEIGHT-heat control valve	1	1
6-16	3-14016-1	SCREW	1	1
6-17	14006-58000	PIN-heat control spring	1	1
6-18	9-11145-1	NUT	4	4
6-19	9-15115	WASHER-lock	2	2
6-20	9-21535	SCREW	4	4
			} to fix manifold	
6-21	14037-32200	YOKE-manifold	6	6
6-22	14035-32200	GASKET-manifold to cylinder head	1	1
6-23	14034-32200	COLLAR-intake manifold	2	2
6-24	14009-10450	TUBE-petrol drain	1	1
6-25	22322-30000	NUT-tube	1	1
6-26	14012-34200	BRACKET-drain tube	1	1
6-27	14013-30000	INSULATOR-rubber	1	1
6-28	14330-10400	PLATE-heat shield carburetor	1	1
6-29	1-11410	BOLT	2	2
6-30	9-15114	WASHER-lock	2	2
6-31	16174-10401	INSULATOR-carburetor	1	1
6-32	9-15116	WASHER-lock	2	2
6-33	9-11146	NUT	2	2

15010-32200

OIL PUMP & STRAINER

Fig. 7

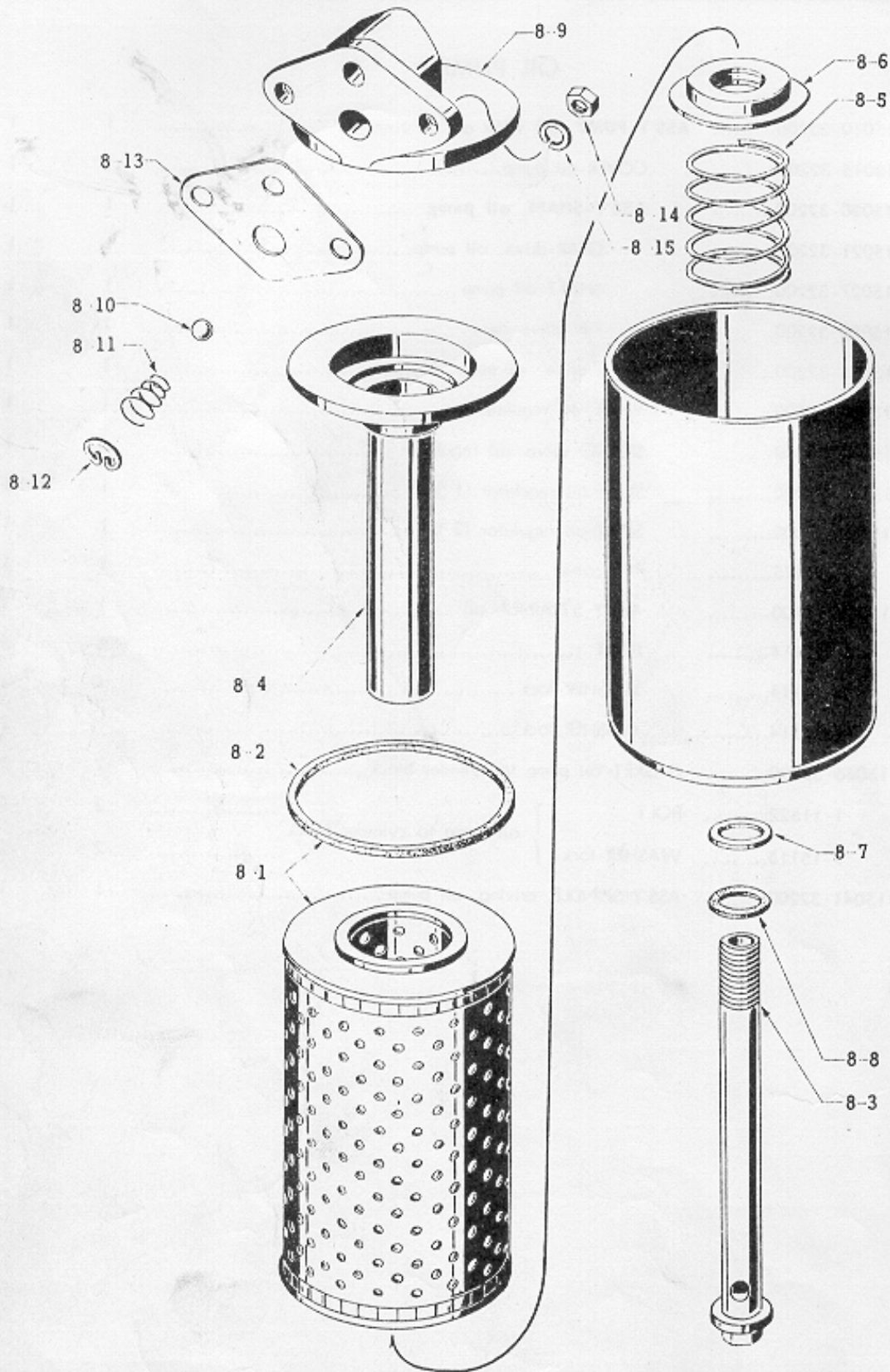


ILL. NO.	PART NO.	PART NAME	Q'TY PER SECTION	
			SP310	SPL310
OIL PUMP				
	15010-32200.....	ASS'Y-PUMP, oil with oil strainer	1	1
7-1	15015-32200.....	COVER-oil pump.....	1	1
7-2	15020-32200.....	ASS'Y-SHAFT, oil pump	1	1
7-3	15021-32200.....	GEAR-drive, oil pump.....	1	1
7-4	15027-32200.....	SHAFT-oil pump	1	1
7-5	15030-32200.....	PIN-drive shaft	1	1
7-6	15023-32200.....	GEAR-drive, oil pump.....	1	1
7-7	15132-58000.....	VALVE-oil regulator	1	1
7-8	15133-58000.....	SPRING-valve, oil regulator	1	1
7-9	15136-58000.....	SHIM-oil regulator (1 $\frac{3}{8}$)	1	1
	15137-58000.....	SHIM-oil regulator (2 $\frac{3}{8}$)	1	1
7-10	9-21325.....	PIN-cotter	1	1
7-11	15050-32200.....	ASS'Y-STRAINER, oil	1	1
7-12	1-11414.....	BOLT	5	5
7-13	9-16114.....	WASHER-lock	4	4
7-14	9-15114.....	WASHER-lock	1	1
7-15	15066-32200.....	GASKET-oil pump to cylinder block	1	1
7-16	1-11522.....	BOLT	} oil pump to cylinder block	2
7-17	9-15115.....	WASHER-lock		
7-18	15041-32200.....	ASS'Y-SPINDLE, driving, oil pump	1	1

15200-32201

OIL FILTER

Fig. 8



ILL. NO.	PART NO.	PART NAME	Q'TY PER SECTION	
			SP 310	SPL 310

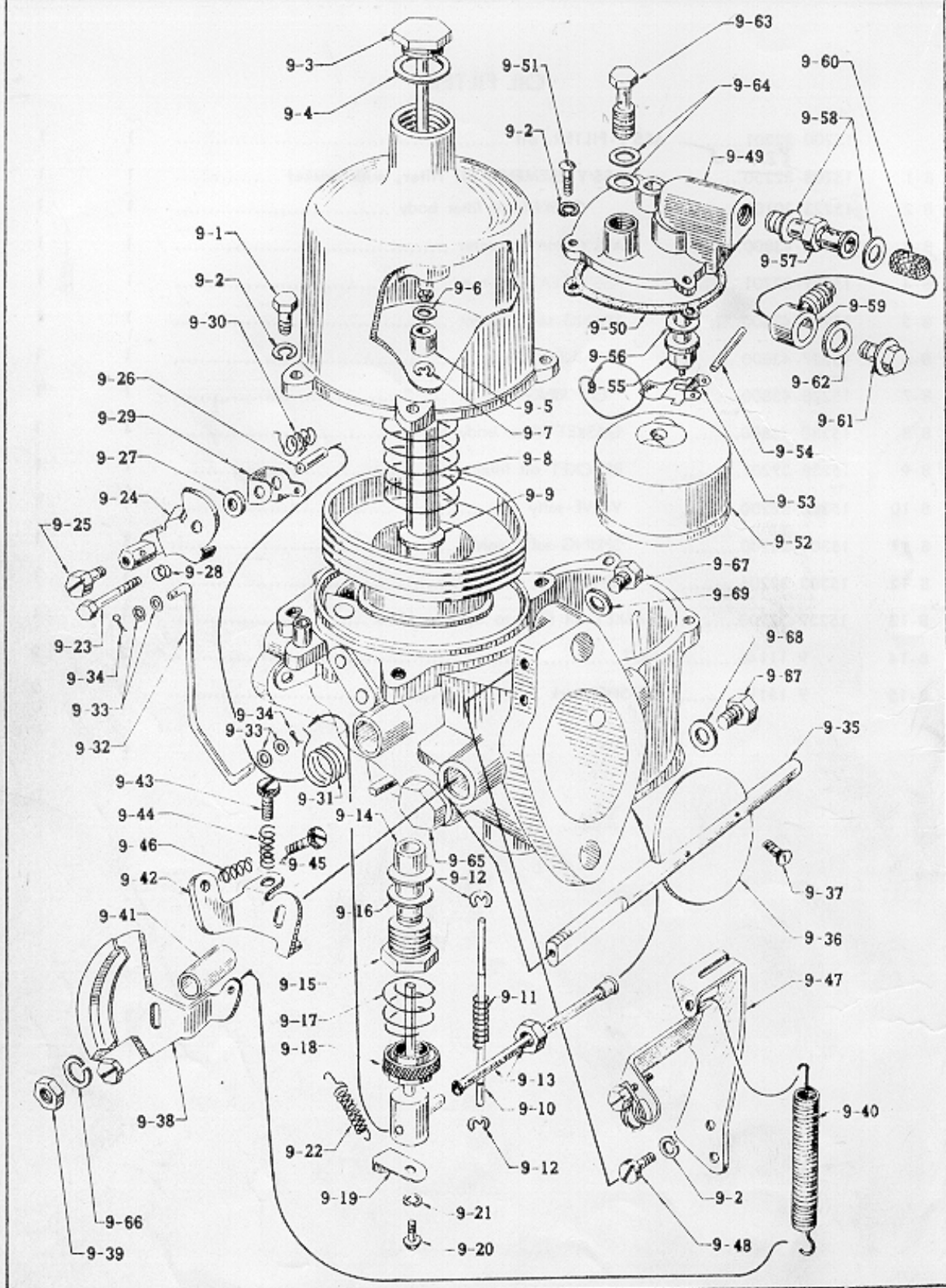
OIL FILTER

	15200-32201.....	ASS'Y-FILTER, oil	1	1
8-1	15208- 32250 ³²²²⁵	ASS'Y-ELEMENT, oil filter, with gasket	1	1
8-2	15223-30100.....	GASKET-oil filter body	1	1
8-3	15213-43800.....	ASS'Y-SHAFT, center	1	1
8-4	15229-32201.....	ASS'Y-SEAT, element	1	1
8-5	15224-43800.....	SPRING-set, element	1	1
8-6	15227-43800.....	RETAINER-element	1	1
8-7	15228-43800.....	" O " RING-retainer	1	1
8-8	15230-43800.....	GASKET-filter, body top	1	1
8-9	15238-32201.....	BRACKET-oil filter	1	1
8-10	15300-32200.....	VALVE-safty	1	1
8-11	15301-32200.....	SPRING-safty valve.....	1	1
8-12	15302-32201.....	RING-snap	1	1
8-13	15239-32200.....	GASKET-oil filter to cylinder block	1	1
8-14	9-11146.....	NUT.....	2	2
8-15	9-15116.....	WASHER-lock	2	2

16010-10402

CARBURETOR

Fig. 9



ILL. NO.	PART NO.	PART NAME	Q'TY PER SECTION	
			SP310	SPL310

CARBURETOR

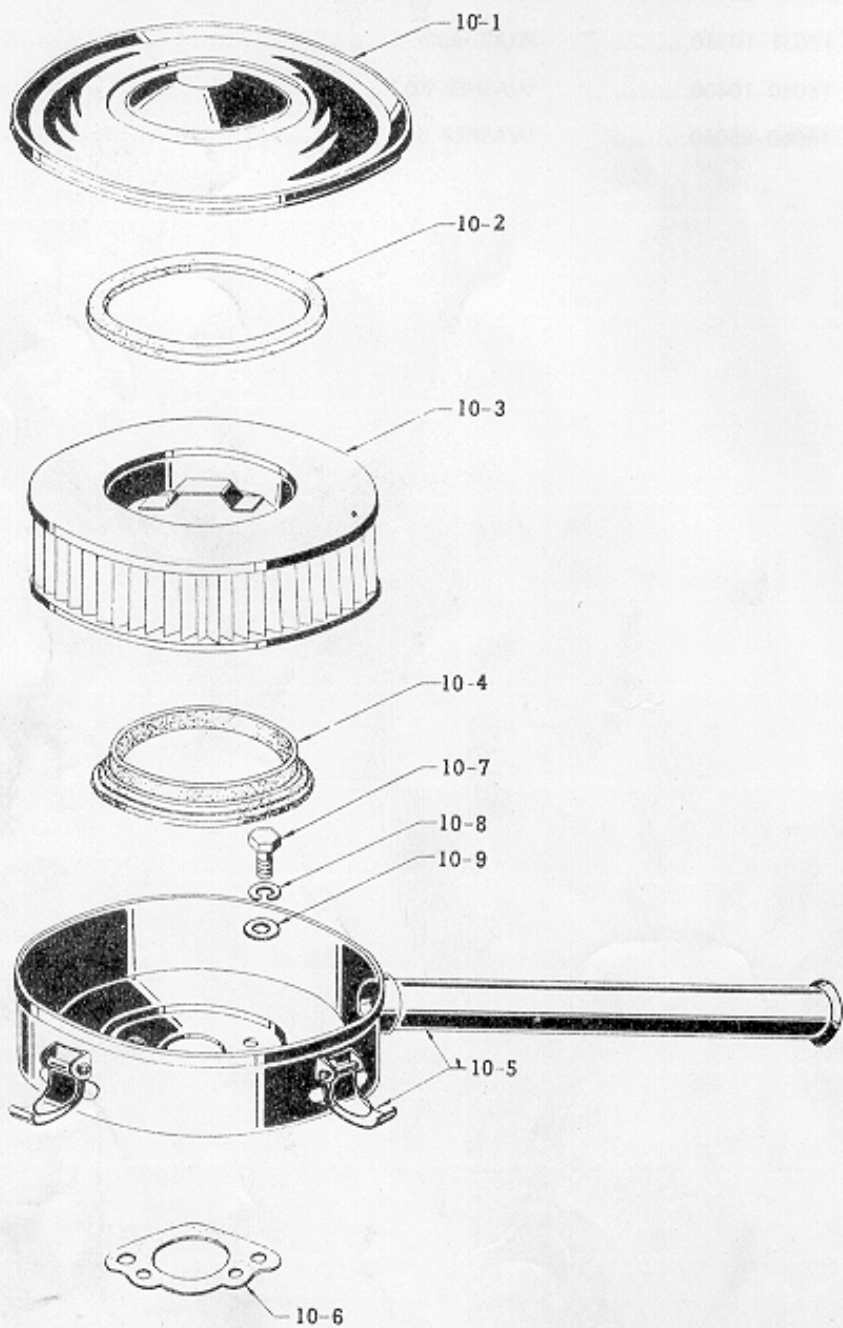
	○ 16010-10402.....	ASS'Y-CARBURETOR	1	1
9-1	16185-10560.....	BOLT 5 φ	4	4
9-2	16086-00100.....	WASHER-spring 5 φ	10	10
9-3	○ 16341-10400.....	NUT-oil cup	1	1
9-4	○ 16342-10400.....	PACKING 18 φ	1	1
9-5	○ 16343-10400.....	PLUNGER-oil damper	1	1
9-6	○ 16344-10400.....	WASHER-oil damper	1	1
9-7	○ 16345-10400.....	RING "C"	1	1
9-8	○ 16346-10400.....	SPRING-suction	1	1
9-9	○ 16347-10400.....	PACKING-nylon 12.5 φ	1	1
9-10	○ 16324-10400.....	LIFTER-piston	1	1
9-11	○ 16325-10400.....	SPRING-piston lifter	1	1
9-12	○ 16326-10400.....	RING "E" # 6	2	2
9-13	○ 16350-10400.....	ASS'Y-NOZZLE	1	1
9-14	○ 16351-10400.....	SLEEVE-nozzle.....	1	1
9-15	16027-10400.....	SCREW-set, nozzle sleeve.....	1	1
9-16	○ 16130-10400.....	WASHER 10 φ.....	1	1
9-17	○ 16145-10400.....	SPRING-idle, adjust screw	1	1
9-18	○ 16144-10400.....	NUT-adjusting, idler	1	1
9-19	○ 16353-10400.....	HANGER-spring	1	1
9-20	○ 16065-10400.....	SCREW 4 φ.....	1	1
9-21	16220-30100.....	WASHER 4 φ	1	1
9-22	○ 16352-10400.....	SPRING-nozzle	1	1
9-23	○ 16185-10400.....	BOLT 5 φ.....	1	1
9-24	○ 16238-10400.....	LEVER-starter	1	1
9-25	16164-85060.....	BOLT 5φ.....	1	1
9-26	○ 16116-10400.....	SLEEVE	1	1
9-27	○ 16217-10400.....	WASHER 7φ	1	1
9-28	○ 16215-10405.....	WASHER-spring 7φ.....	1	1
9-29	○ 16082-10400.....	LEVER-connecting	1	1
9-30	○ 16085-10400.....	SPRING-connecting	1	1
9-31	○ 16190-10400.....	SPRING-return, starter lever	1	1

ILL. NO.	PART NO.	PART NAME	Q'TY PER SECTION	
			SP310	SPL310
9-32	16248-10400.....	ROD-connecting	1	1
9-33	16215-10400.....	WASHER 3 ϕ	4	4
9-34	16091-10560.....	PIN-cotter 1 ϕ	2	2
9-35	16276-10400.....	SHAFT-throttle	1	1
9-36	16120-10400.....	VALVE-throttle	1	1
9-37	16121-85060.....	SCREW-set, valve 4 ϕ	2	2
9-38	16134-10400.....	LEVER-throttle	1	1
9-39	16124-85060.....	NUT-throttle shaft 8 ϕ	1	1
9-40	16194-10400.....	SPRING-throttle	1	1
9-41	16306-10400.....	PIECE-distant	1	1
9-42	16127-10400.....	PLATE-adjusting, throttle	1	1
9-43	16114-10400.....	SCREW-adjusting, throttle "B"	1	1
9-44	16193-10400.....	SPRING-adjusting, throttle screw	1	1
9-45	16129-85060.....	SCREW-adjusting, throttle "A"	1	1
9-46	16145-85060.....	SPRING-adjusting, throttle screw	1	1
9-47	16247-10400.....	ARM-wire, throttle	1	1
9-48	16065-25661.....	SCREW 5 ϕ	2	2
9-49	16125-10400.....	COVER-float chamber	1	1
9-50	16064-10400.....	GASKET-float chamber cover.....	1	1
9-51	16065-85060.....	SCREW-set 5 ϕ	4	4
9-52	16061-10400.....	FLOAT	1	1
9-53	16062-10400.....	LEVER-float	1	1
9-54	16066-10400.....	SHAFT-float lever	1	1
9-55	16101-10400.....	VALVE-needle 2 ϕ	1	1
9-56	16094-10400.....	WASHER 10 ϕ	1	1
9-57	16092-10400.....	BOLT-filter	1	1
9-58	16094-85060.....	PACKING 12 ϕ	2	2
9-59	16111-08000.....	NIPPLE	1	1
9-60	16098-08000.....	FILTER	1	1
9-61	16108-08000.....	SCREW-set, filter.....	1	1
9-62	16094-08000.....	WASHER 8 ϕ	1	1
9-63	16331-10400.....	SCREW-set, nipple	1	1

ILL. NO.	PART NO.	PART NAME	Q'TY PER SECTION	
			SP310	SPL310
9-64	○ 16335-10400.....	PACKING 10φ	2	2
9-65	○ 16322-10400.....	BOLT 8φ	1	1
9-66	○ 16086-30100.....	WASHER-spring 8φ	2	2
9-67	16031-10560.....	PLUG-drain	1	1
9-68	○ 16060-10400.....	WASHER 8φ	1	1
9-69	16060-85060.....	WASHER 8φ	1	1

AIR CLEANER

Fig. 10



ILL. NO.	PART NO.	PART NAME	Q'TY PER SECTION	
			SP310	SPL310

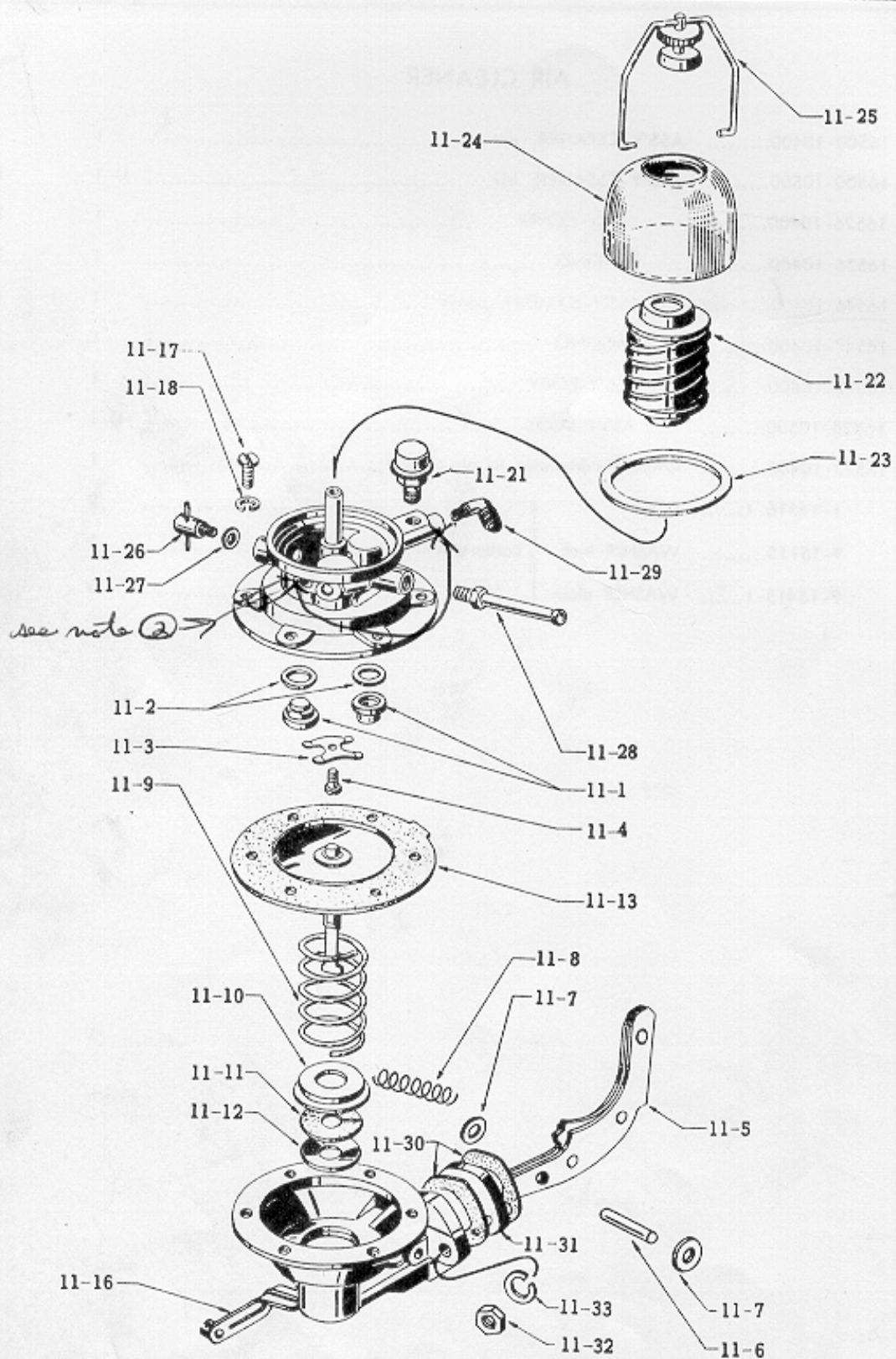
AIR CLEANER

	▷ 16500-10400.....	ASS'Y-CLEANER, air	1	-
	▷ 16500-10500.....	ASS'Y-CLEANER, air	U-1	1
10-1	▷ 16526-10400.....	ASS'Y-COVER.....	1	1
10-2	▷ 16536-10400.....	PACKING	1	1
10-3	▷ <u>16546-10400</u>	ASS'Y-ELEMENT, paper	1	1
10-4	▷ 16547-10400.....	PACKING	1	1
10-5	▷ 16528-10400.....	ASS'Y-BODY	1	-
	▷ 16528-10500.....	ASS'Y-BODY	U-1	1
10-6	▷ 16523-10400.....	GASKET-carburetor to air cleaner.....	1	1
10-7	1-14516-1.....	BOLT	2	2
10-8	9-15115.....	WASHER-lock } carburetor to air cleaner	2	2
10-9	9-15415-1.....	WASHER-plain }	2	2

17010-10400

FUEL PUMP

Fig. 11

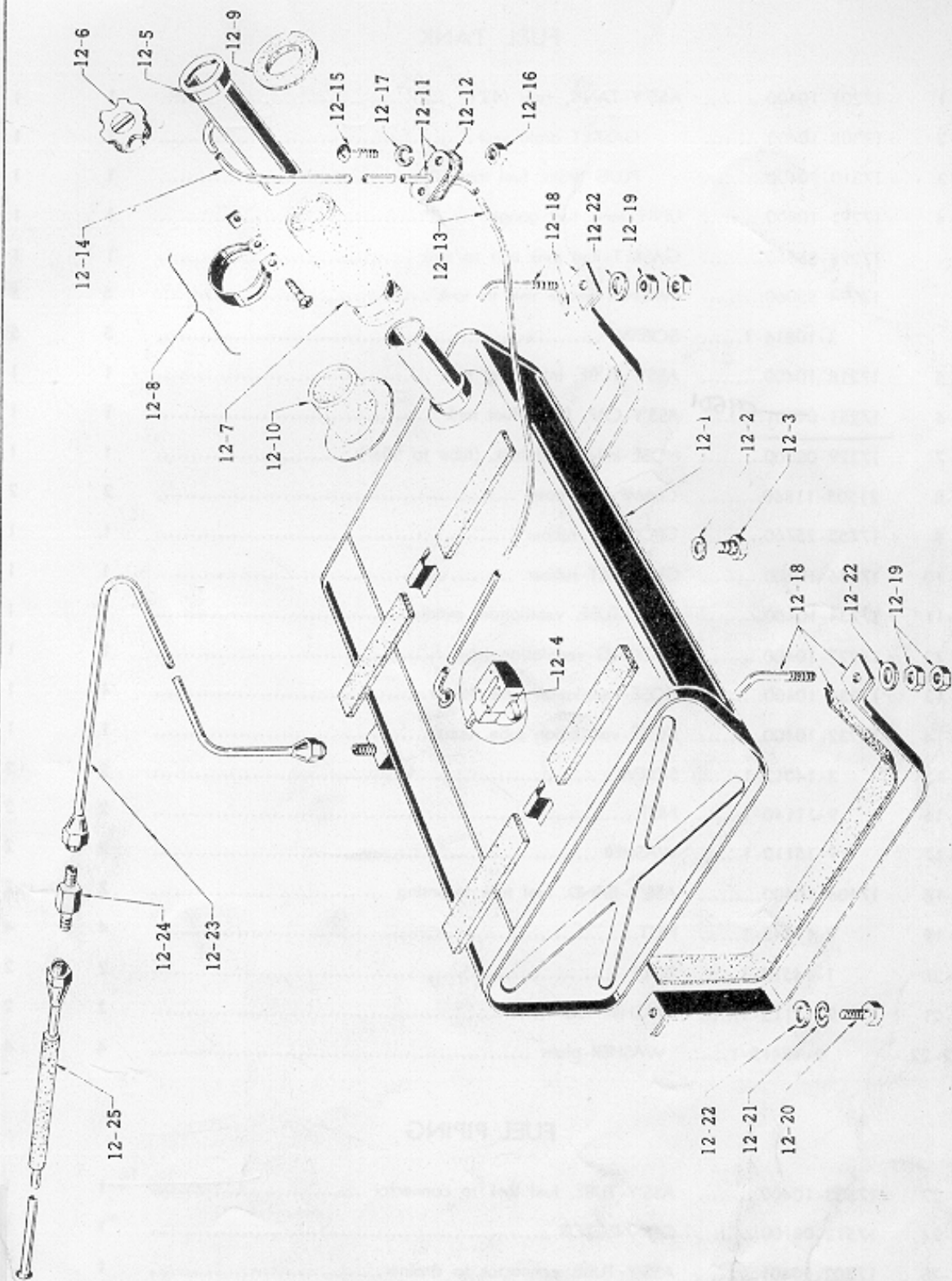


ILL. NO.	PART NO.	PART NAME	Q'TY PER SECTION	
			SP310	SPL310
		FUEL PUMP		
	17010-10400 ³⁷⁰⁰⁰	^{① Use old fittings} ^{② Retate top as base to have inlet clear blocks} ASS'Y-PUMP, fuel	1	1
11-1	17065-52600	ASS'Y-VALVE, fuel pump	2	2
11-2	17061-50000	PACKING-valve	2	2
11-3	17072-32200	RETAINER-valve	1	1
11-4	17075-50000	SCREW-retainer (KYOSAN)	}	1
	17075-32200	SCREW-retainer (SHOWA)		
11-5	17015-32200	ASS'Y-ARM, rocker	1	1
11-6	17019-85600	PIN-rocker arm (KYOSAN)	}	1
	17019-50000	PIN-rocker arm (SHOWA)		
11-7	17016-00100	SPACER-side rocker arm	2	2
11-8	17020-85060	SPRING-rocker arm (KYOSAN)	}	1
	17020-00100	SPRING-rocker arm (SHOWA)		
11-9	17052-30100	SPRING-diaphragm	1	1
11-10	17049-50000	CAP-packing, lower body	1	1
11-11	17048-52600	GASKET-lower body	1	1
11-12	17047-50000	PACKING-seat, lower body	1	1
11-13	17053-32200	ASS'Y-DIAPHRAGM	1	1
	17040-32200	PIN-hand primer (KYOSAN)	}	1
	17040-32201	PIN-hand primer (SHOWA)		
	16028-87860	WASHER-hand primer pin	1	1
11-16	17022-32200	LEVER-hand primer (KYOSAN)	}	1
	17022-32201	LEVER-hand primer (SHOWA)		
11-17	17089-58000	SCREW-setting, body	6	6
11-18	17090-32200	WASHER-spring, to set body (KYOSAN)	}	6
	17090-50000	WASHER-spring, to set body (SHOWA)		
11-21	17078-32200	ASS'Y-DOME, air	1	1
11-22	<u>16403-32200</u>	ASS'Y-ELEMENT, filter	1	1
11-23	16407-32200	PACKING-fuel strainer	1	1
11-24	16402-32200	BOWL-glass	1	1
11-25	16440-32200	ASS'Y-BAIL, bowl	1	1
11-26	17087-32201	ASS'Y-PLUG, drain	1	1

ILL. NO.	PART NO.	PART NAME	Q'TY PER SECTION	
			SP310	SPL310
11-27	17088-32200.....	PACKING-drain plug	1	1
11-28	17103-01300.....	CONNECTOR-fuel pump to strainer	1	1
11-29	17103-50000.....	CONNECTOR-angle flared tube	1	1
11-30	17099-30000.....	WASHER-joint, fuel pump	2	2
11-31	16420-30100.....	SPACER-fuel pump to cylinder block	1	1
11-32	9-11145.....	NUT	2	2
11-33	9-15115.....	WASHER-lock	2	2
	17522-10400.....	ASS'Y-TUBE, fuel pump to carburetor	1	1
	17106-32200.....	CLAMP-tube, pump to carburetor	1	1

FUEL TANK MOUNTING

Fig. 12



ILL. NO.	PART NO.	PART NAME	Q'TY PER SECTION	
			SP310	SPL310

FUEL TANK

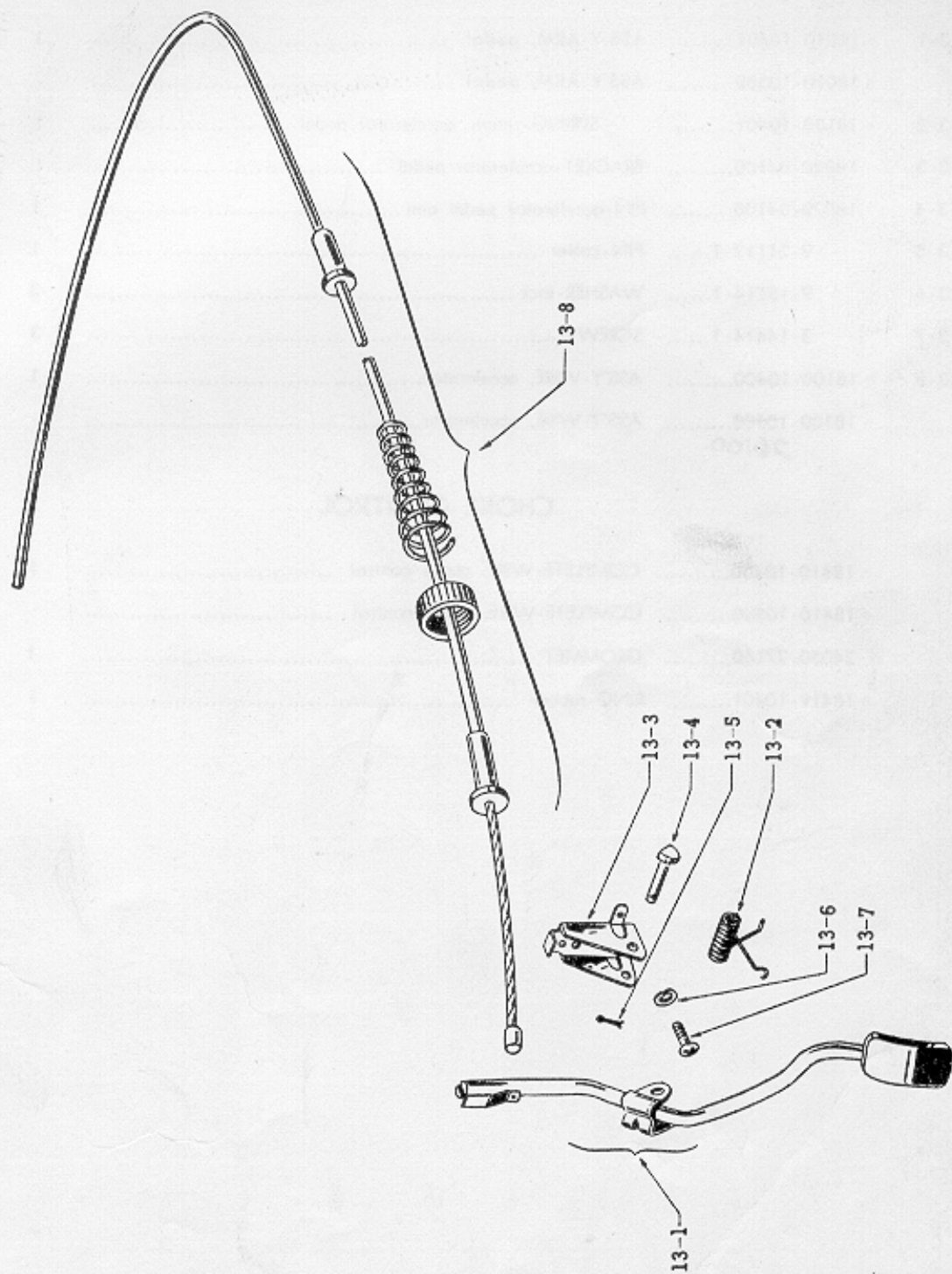
12-1	o 17201-10400.....	ASS'Y-TANK, fuel (43 l)	1	1
12-2	o 17308-10400.....	GASKET-drain seat.....	1	1
12-3	o 17310-10400.....	PLUG-drain, fuel tank	1	1
12-4	o 17291-10400.....	UNIT-tank, fuel gauge	1	1
	17293-85660.....	GASKET-fuel tank unit to tank	1	1
	17294-85060.....	WASHER-gauge unit to tank	5	5
	3-10816-1.....	SCREW	5	5
12-5	o 17218-10400.....	ASS'Y-TUBE, inlet, fuel tank	1	1
12-6	17251-04101..... <i>CF501</i>	ASS'Y-CAP, filler, fuel tank	1	1
12-7	17229-08000.....	HOSE-inlet, fuel tank, (tube to filler)	1	1
12-8	21505-11860.....	CLAMP-gum hose	2	2
12-9	17455-25760.....	GROMMET-rubber	1	1
12-10	o 17456-10400.....	GROMMET-rubber	1	1
12-11	o 17234-10400.....	ASS'Y-TUBE, ventilation, middle.....	1	1
12-12	o 17227-10400.....	PACKING-ventilation tube	1	1
12-13	o 17231-10400.....	HOSE-ventilation tube, lower.....	1	1
12-14	o 17232-10400.....	HOSE-ventilation tube, upper.....	1	1
12-15	3-14012-1.....	SCREW	2	2
12-16	9-11140-1.....	NUT.....	2	2
12-17	9-15110-1.....	WASHER	2	2
12-18	o 17406-10400.....	ASS'Y-BAND, fuel tank mounting	2	2
12-19	9-11345-1.....	NUT.....	4	4
12-20	1-14518-1.....	BOLT	2	2
12-21	9-15115-1.....	WASHER-lock	2	2
12-22	9-15415-1.....	WASHER-plain	4	4

FUEL PIPING

12-23	o 17503-10400.....	ASS'Y-TUBE, fuel tank to connector	1	1
12-24	17512-09100.....	CONNECTOR	1	1
12-25	17502-10401.....	ASS'Y-TUBE, connector to strainer.....	1	1

ACCELERATOR

Fig. 13



ILL. NO.	PART NO.	PART NAME	QTY PER SECTION	
			SP 310	SPL 310

ACCELERATOR

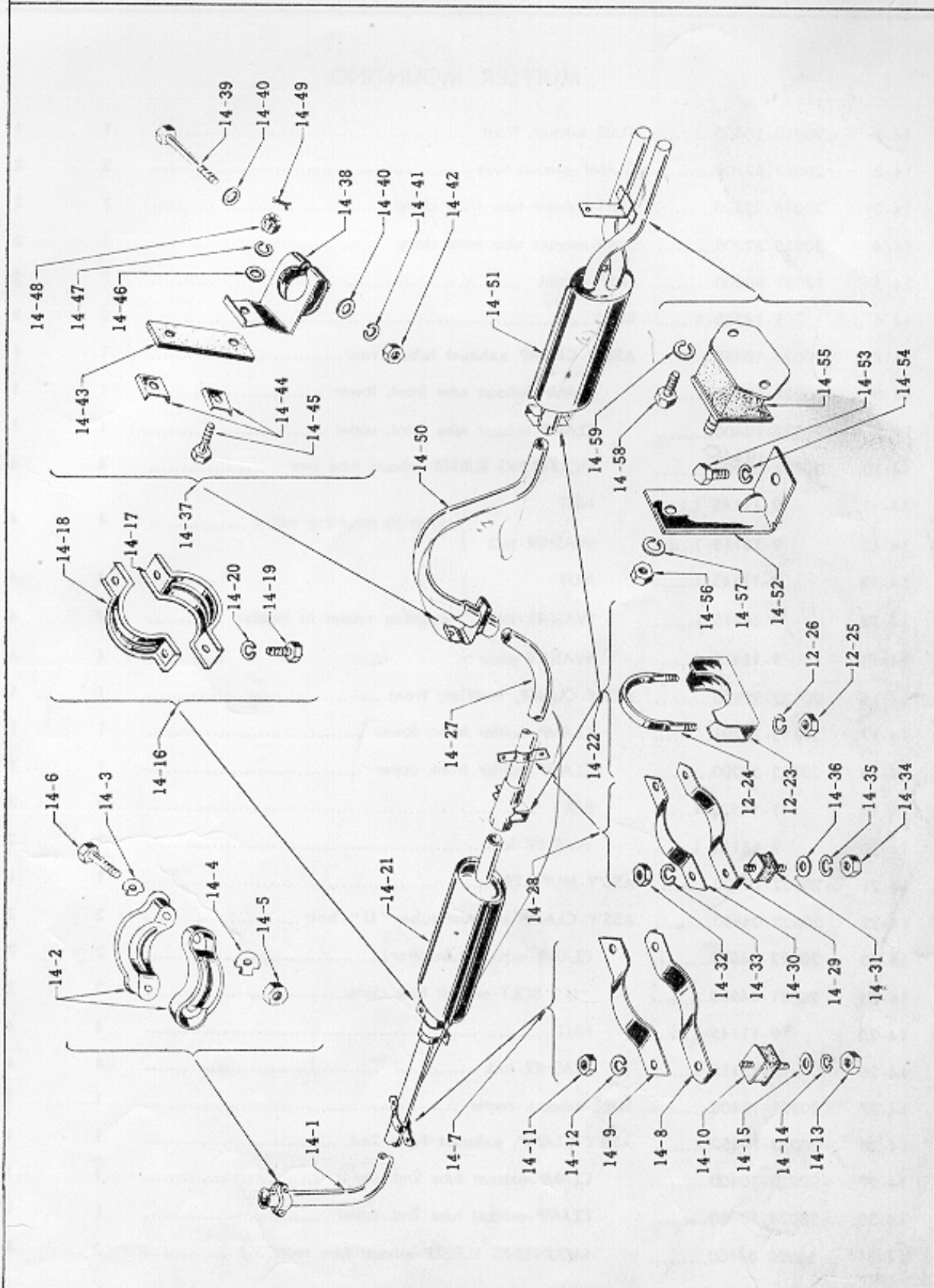
13-1	o 18010-10401.....	ASS'Y-ARM, pedal	1	.
	o 18010-10500.....	ASS'Y-ARM, pedal	-	1
13-2	o 18138-10401.....	SPRING-return, accelerator pedal	1	1
13-3	18020-04100.....	BRACKET-accelerator pedal	1	1
13-4	18022-04100.....	PIN-accelerator pedal arm	1	1
13-5	9-21112-1.....	PIN-cotter	1	1
13-6	9-15114-1.....	WASHER-lock	3	3
13-7	3-14414-1.....	SCREW	3	3
13-8	o 18100-10400.....	ASS'Y-WIRE, accelerator.....	1	.
	o 18100- 10500 26100.....	ASS'Y-WIRE, accelerator.....	-	1

CHOKE CONTROL

	o 18410-10400.....	COMPLETE-WIRE, choke control	1	.
	o 18410-10500.....	COMPLETE-WIRE, choke control		1
	24050-27160.....	GROMMET	1	1
	o 18419-10401.....	RING-rubber	1	1

MUFFLER MOUNTING

Fig. 14



ILL. NO.	PART NO.	PART NAME	Q'TY PER SECTION	
			SP310	SPL310

MUFFLER MOUNTING

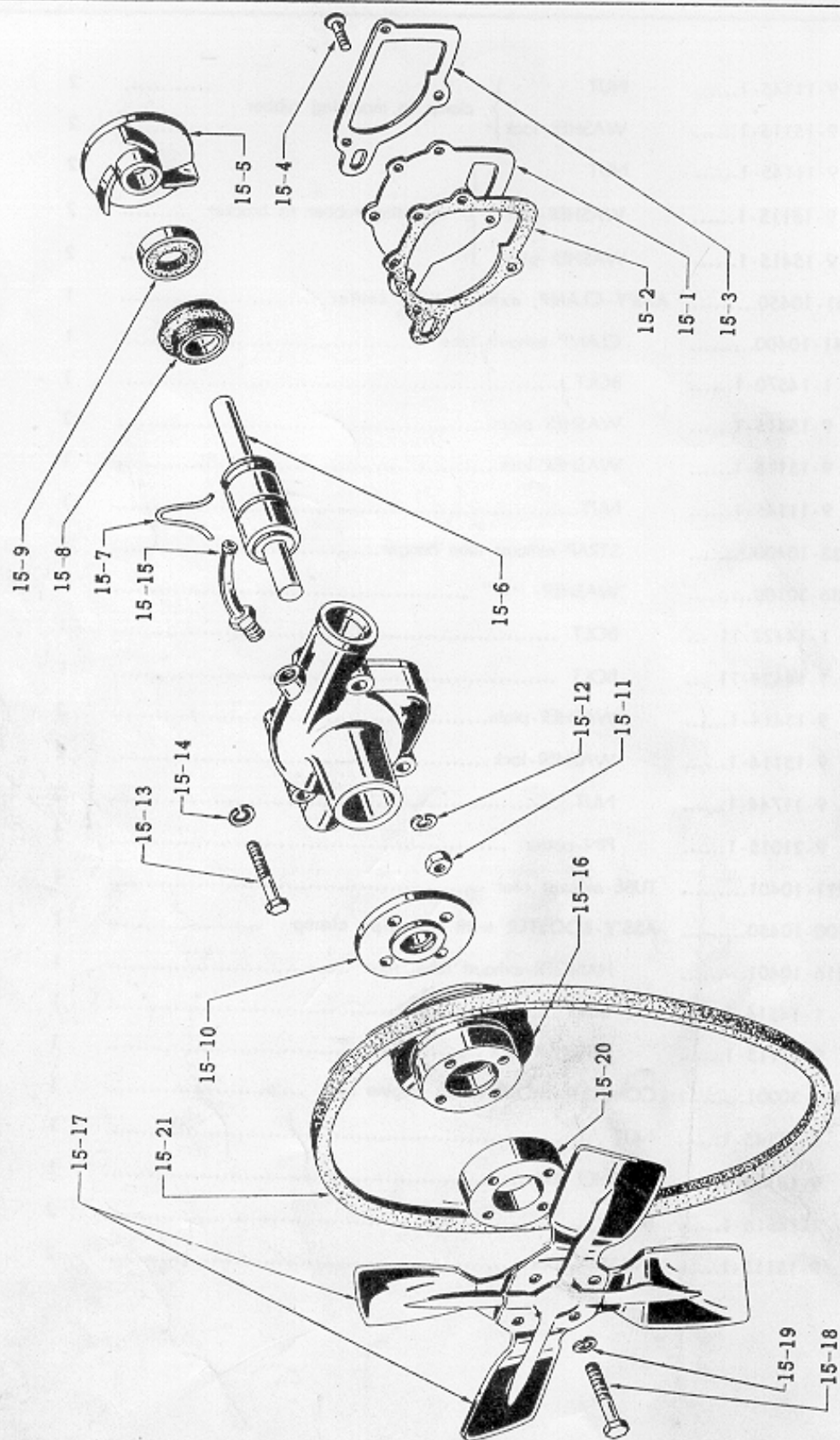
14-1	o 20010-10400.....	TUBE-exhaust, front	1	1
14-2	20013-32200.....	CLAMP-exhaust tube	2	2
14-3	20014-32200.....	SEAT-exhaust tube front clamp	2	2
14-4	20015-32200.....	SEAT-exhaust tube front clamp	2	2
14-5	14039-30000.....	NUT-special	2	2
14-6	1-14560-1.....	BOLT	2	2
14-7	o 20021-10450.....	ASS'Y-CLAMP exhaust tube, front.....	1	1
14-8	o 20021-10400.....	CLAMP-exhaust tube front, lower	1	1
14-9	o 20022-10400.....	CLAMP-exhaust tube front, upper	1	1
14-10	20220-04100.....	MOUNTING RUBBER-exhaust tube rear	4	4
14-11	9-11145-1.....	NUT	} clamp to mounting rubber	4
14-12	9-15115-1.....	WASHER-lock		
14-13	9-11145-1.....	NUT	} mounting rubber to bracket	4
14-14	9-15115-1.....	WASHER-lock		
14-15	9-15415-1.....	WASHER-plain		
14-16	20132-32250.....	ASS'Y-CLAMP, muffler, front	1	1
14-17	20132-32201.....	CLAMP-muffler front, lower	1	1
14-18	20133-32200.....	CLAMP-muffler front, upper	1	1
14-19	1-14522-1.....	BOLT	2	2
14-20	9-15115-1.....	WASHER-lock	2	2
14-21	o 20102-10400.....	ASS'Y-MUFFLER	1	1
14-22	20023-04550.....	ASS'Y-CLAMP exhaust tube "U" bolt	2	2
14-23	20023-04500.....	CLAMP-exhaust tube, front.....	2	2
14-24	20031-04500.....	"U" BOLT-exhaust tube clamp.....	2	2
14-25	9-11145-1.....	NUT.....	4	4
14-26	9-15115-1.....	WASHER-lock	4	4
14-27	o 20201-10400.....	TUBE-exhaust, center	1	1
14-28	o 20023-10450.....	ASS'Y-CLAMP, exhaust tube 2nd	1	1
14-29	o 20023-10400.....	CLAMP-exhaust tube 2nd, lower	1	1
14-30	o 20024-10400.....	CLAMP-exhaust tube 2nd, upper	1	1
14-31	20220-04100.....	MOUNTING RUBBER-exhaust tube rear.....	2	2

ILL. NO.	PART NO.	PART NAME	Q'TY PER SECTION	
			SP310	SPL310
14-32	9-11145-1.....	NUT	2	2
14-33	9-15115-1.....	WASHER-lock	2	2
14-34	9-11145-1.....	NUT	2	2
14-35	9-15115-1.....	WASHER-lock	2	2
14-36	9-15415-1.....	WASHER-plain	2	2
14-37	o 20641-10450.....	ASS'Y-CLAMP, exhaust tube center	1	1
14-38	o 20641-10400.....	CLAMP-exhaust tube	1	1
14-39	1-14570-1.....	BOLT	1	1
14-40	9-15415-1.....	WASHER-plain.....	2	2
14-41	9-15115-1.....	WASHER-lock	1	1
14-42	9-11145-1.....	NUT.....	1	1
14-43	20133-10400.....	STRAP-exhaust tube hanger.....	1	1
14-44	o 20136-30100.....	WASHER- " B "	2	2
14-45	1-14422-11 ...	BOLT	1	1
	1-14424-11 ...	BOLT	1	1
14-46	9-15414-1.....	WASHER-plain.....	2	2
14-47	9-15114-1.....	WASHER-lock	2	2
14-48	9-11744-1.....	NUT	2	2
14-49	9-21015-1.....	PIN-coffer	2	2
14-50	20211-10401.....	TUBE-exhaust rear	1	1
14-51	20300-10450.....	ASS'Y-BOOSTER with tail pipe clamp	1	1
14-52	20216-10401.....	HANGER-exhaust tube, rear	1	1
14-53	1-14516-1.....	BOLT	1	1
14-54	9-15115-1.....	WASHER-lock	1	1
14-55	11328-30001.....	COMPLETE-MOUNTING, engine rear	1	1
14-56	9-11145-1.....	NUT	1	1
14-57	9-15115-1.....	WASHER-lock	1	1
14-58	1-14516-1.....	BOLT	2	2
14-59	9-15115-1.....	WASHER-lock	2	2

21010-32200

WATER PUMP

Fig. 15



ILL. NO.	PART NO.	PART NAME	Q'TY PER SECTION	
			SP310	SPL310

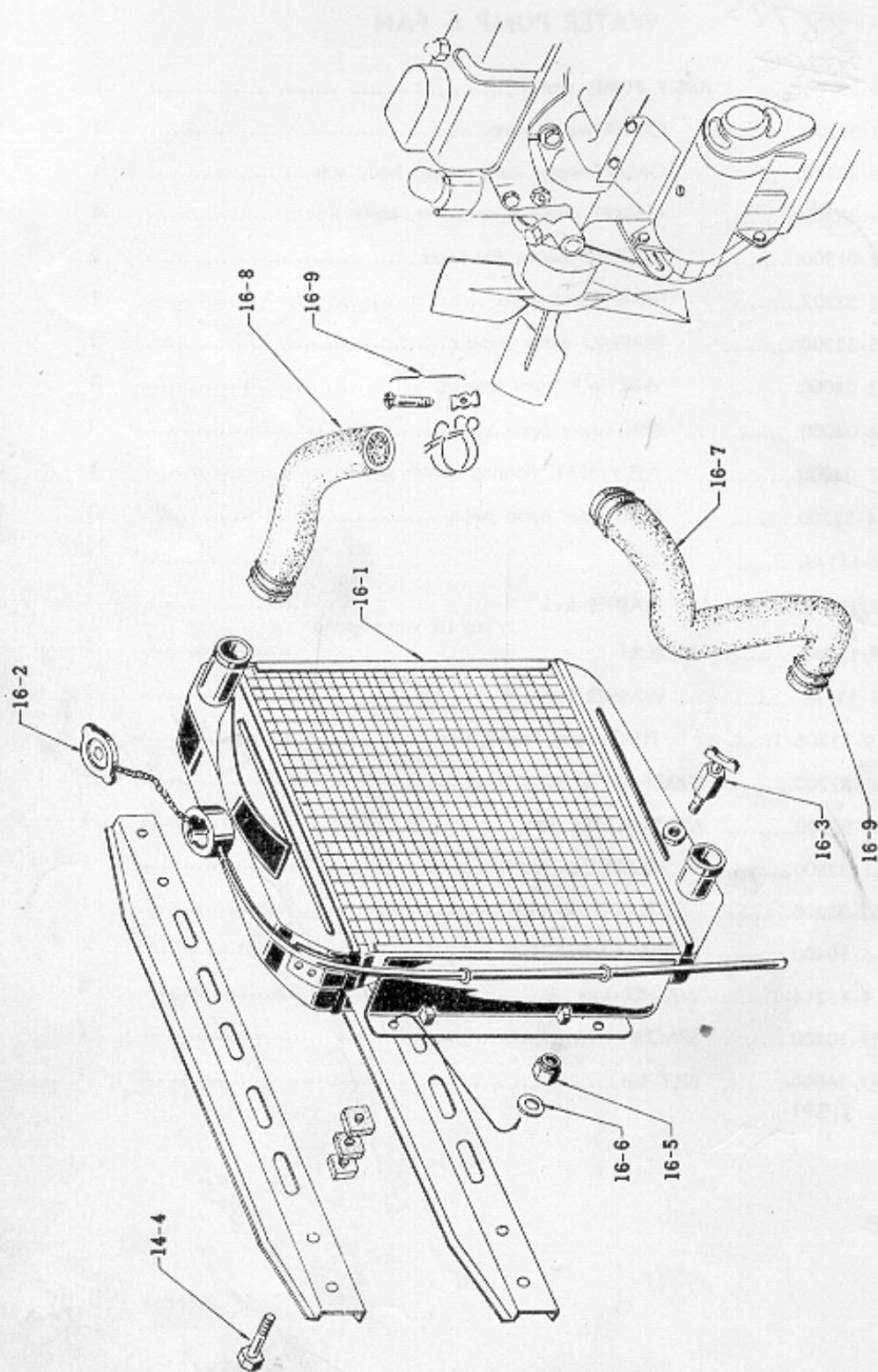
WATER PUMP & FAN

	21010- 32200 ³⁸⁷²⁵	ASS'Y-PUMP, water	1	1
15-1	21013-32200.....	COVER-water pump.....	1	1
15-2	21014-32200.....	GASKET-water pump cover, body side	1	1
15-3	21074-32200.....	GASKET-water pump cover, block side.....	1	1
15-4	21012-01300.....	SCREW-machine, flat head	2	2
15-5	21022-32202.....	VANE-water pump	1	1
15-6	21035-32200.....	BEARING-water pump	1	1
15-7	21043-04000.....	WIRE-lock water bearing	1	1
15-8	21026-04000.....	SEAL-water pump.....	1	1
15-9	21027-04000.....	ASS'Y-SEAT, floating, water pump.....	1	1
15-10	21054-32200.....	HUB-water pump pulley	1	1
15-11	9-11146.....	NUT	1	1
15-12	9-15116.....	WASHER-lock	1	1
15-13	9-11560.....	BOLT	2	2
15-14	9-15115.....	WASHER-lock	2	2
15-15	9-31306-1.....	PLUG-taper thread head.....	1	1
15-16	21051-32200.....	PULLEY-fan & water pump	1	1
15-17	21060-32200.....	ASS'Y-BLADE, fan	1	1
	21061-32200.....	BLADE-fan, front	1	1
	21062-32200.....	BLADE-fan, rear	1	1
15-18	o 21066-10400.....	SCREW-machine, fan	4	4
15-19	9-15214-1.....	WASHER-lock	4	4
15-20	o 27401-10400.....	SPACER	1	1
15-21	21067- 30000 ²¹³⁰¹	BELT-fan	1	1

to fix water pump

RADIATOR MOUNTING

Fig. 16



ILL. NO.	PART NO.	PART NAME	Q'TY PER SECTION	
			SP310	SPL310

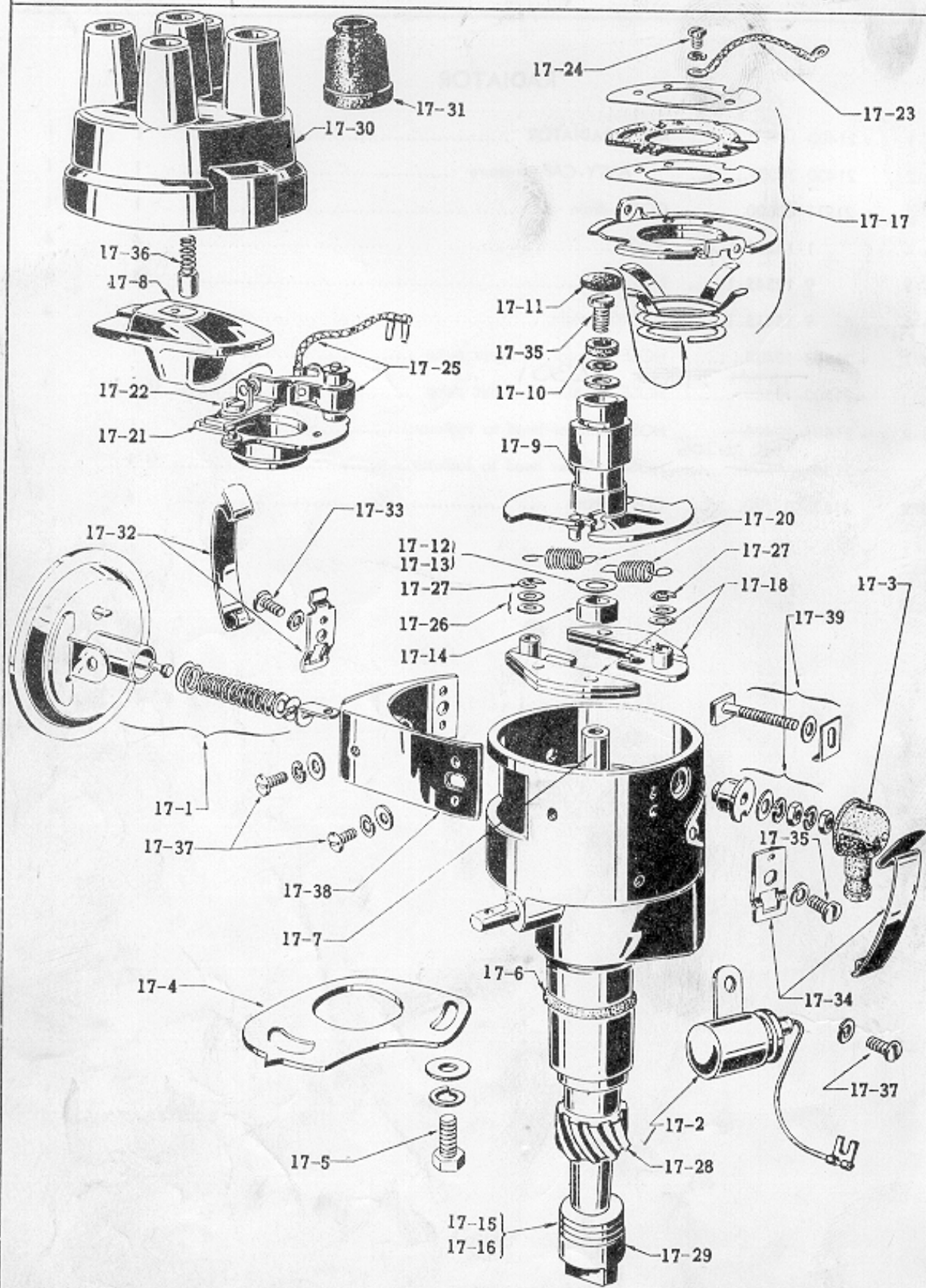
RADIATOR

16-1	o 21400-10400.....	ASS'Y-RADIATOR	1	1
16-2	21430-30001.....	ASS'Y-CAP, pressure	1	1
16-3	21211-00800.....	COCK-drain	1	1
16-4	1-14522-1.....	BOLT	4	4
16-5	9-12345-1.....	NUT.....	4	4
16-6	9-15415-1.....	WASHER-plain.....	4	4
16-7	o 21503-10400.....	HOSE-radiator to water pump	1	-
	16301 74702 12301			
	o 21503-10500.....	HOSE-radiator to water pump	U-1	1
16-8	o 21501-10400.....	HOSE-cylinder head to radiator.....	1	-
	73306 36706			
	o 21501-10500.....	HOSE-cylinder head to radiator.....	U-1	1
16-9	21505-32200.....	CLAMP-hose	4	4

22100-10400

DISTRIBUTOR

Fig. 17



ILL. NO.	PART NO.	PART NAME	Q'TY PER SECTION	
			SP310	SPL310

DISTRIBUTOR

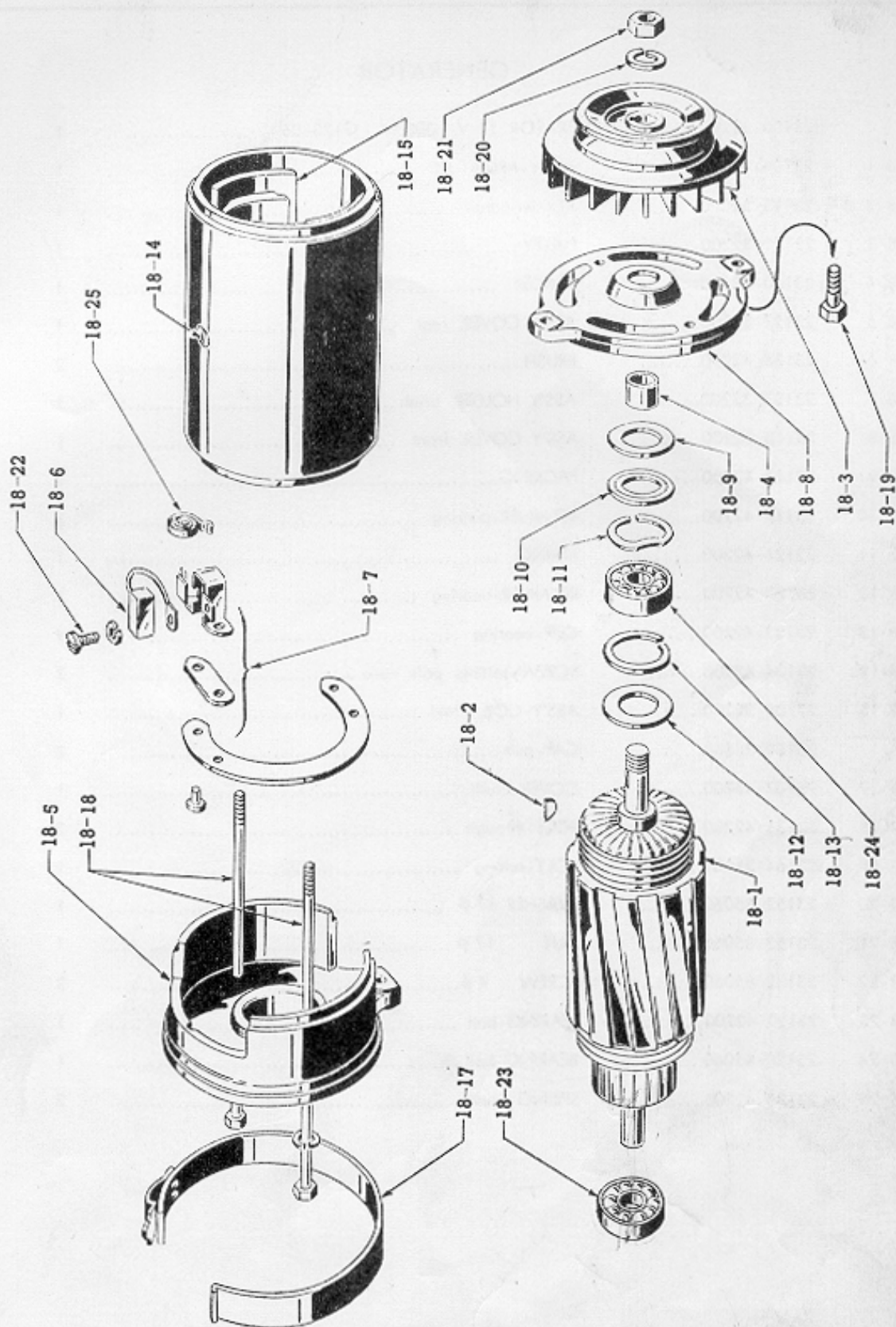
	○ 22100-10400.....	ASS'Y-DISTRIBUTOR	1	1
17-1	22301-32202.....	ASS'Y-CONTROL, vacuum	1	1
17-2	22102-00800.....	CONDENSER-distributor	1	1
17-3	22171-30100.....	CAP-gum	1	1
17-4	22180-32200.....	PLATE-fixing	1	1
17-5	22201-32200.....	BOLT-5φ.....	1	1
17-6	22131-32200.....	RING-"O"	1	1
17-7	○ 22108-10400.....	ASS'Y-SHAFT	1	1
17-8	22157-32200.....	ASS'Y-HEAD, rotor	1	1
17-9	22132-32200.....	ASS'Y-CAM, set.....	1	1
17-10	22116-50000.....	DISC-felt	1	1
17-11	22135-32200.....	PACKING.....	1	1
17-12	22117-32200.....	WASHER-thrust (0.5t)	1	1
17-13	22184-32200.....	WASHER-thrust (0.15t)	0-2	0-2
17-14	22134-32200.....	TUBE-insulating	1	1
17-15	22118-32200.....	WASHER-thrust (0.5t)	1	1
17-16	22118-43800.....	WASHER-thrust (0.8t)	1	1
17-17	22136-32200.....	ASS'Y-BRAKER, contact	1	1
17-18	22123-32200.....	ASS'Y-WEIGHT, governor	2	2
17-20	22127-32200.....	ASS'Y-SPRING, governor	1	1
17-21	22143-32200.....	POINT-contact..... 22145-12200	1	1
17-22	22149-32200.....	SCREW-4φ	1	1
17-23	22182-32201.....	ASS'Y-WIRE, earth	1	1
17-24	22181-32200.....	SCREW-3φ	2	2
17-25	22146-32200.....	ASS'Y-ARM, contact	1	1
17-26	22148-32200.....	WASHER-thrust (0.1t)	3-5	3-5
17-27	22147-32200.....	STOPPER	3	3
17-28	○ 22948-10400.....	ASS'Y-PINION.....	1	1
17-29	○ 22119-10400.....	ASS'Y-COUPLING	1	1
17-30	22162-32201.....	ASS'Y-CAP, distributor	1	1
17-31	22171-00800.....	CAP-gum.....	5	5

ILL. NO.	PART NO.	PART NAME	Q'TY PER SECTION	
			SP310	SPL310
17-32	22167-32200.....	ASS'Y-CLAMP, cap (1)	1	1
17-33	22103-50000.....	SCREW-4 ϕ	1	1
17-34	22168-32200.....	ASS'Y-CLAMP, cap (2)	1	1
17-35	22139-85060.....	SCREW-4 ϕ	2	2
17-36	22165-30101.....	ASS'Y-POINT, carbon.....	1	1
17-37	23132-85060.....	SCREW 4 ϕ	3	3
17-38	22209-32200.....	CASE-set, vacuum control	1	1
17-39	22403-32200.....	ASS'Y-TERMINAL.....	1	1

23100-32200

GENERATOR (HITACHI)

Fig. 18

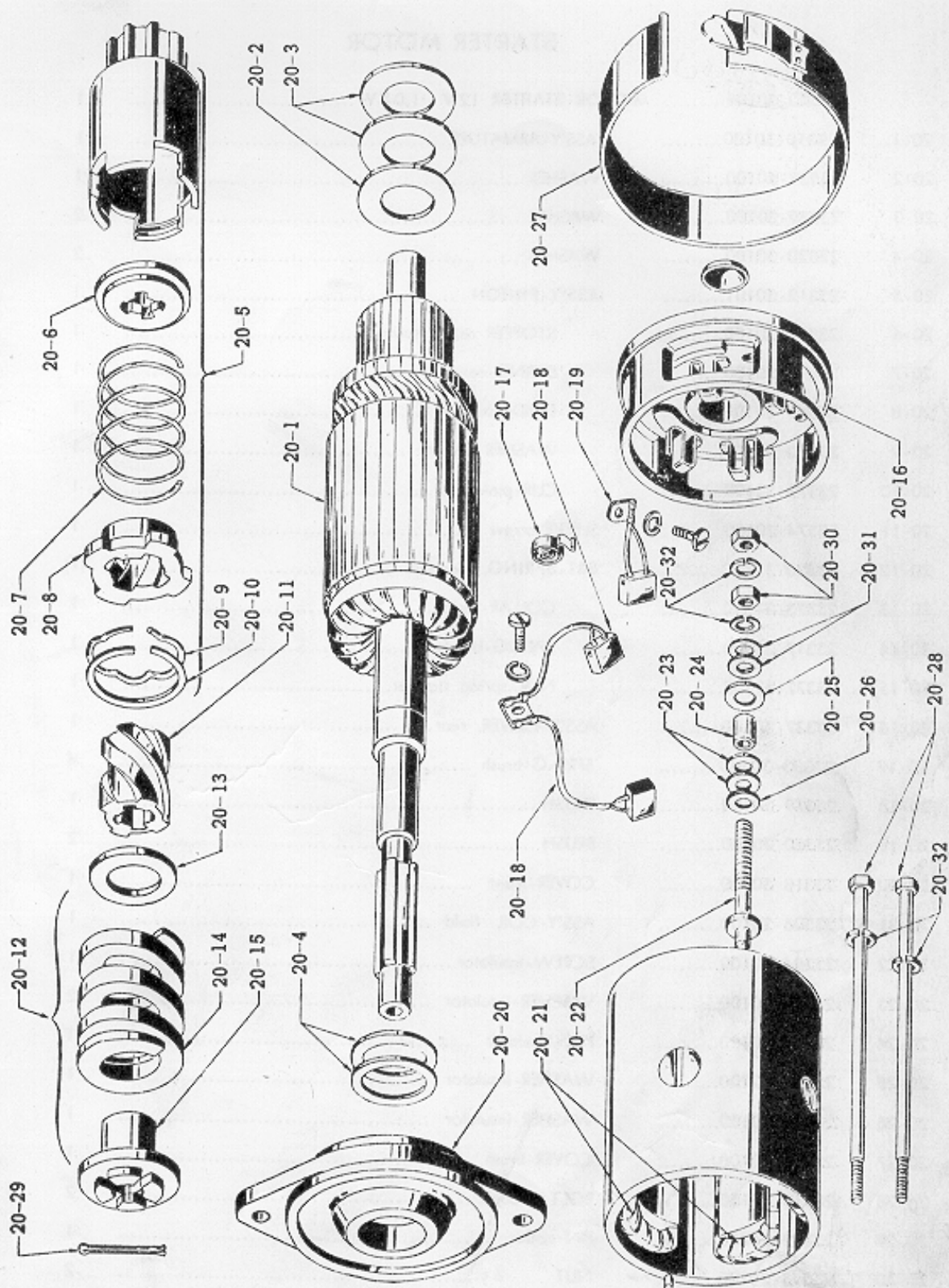


ILL. NO.	PART NO.	PART NAME	Q'TY PER SECTION	
			SP 310	SPL 310
GENERATOR				
	23100-32200.....	GENERATOR 12 V 300 W (G123-06)	1	1
18-1	23108-42200.....	ASS'Y-ARMATURE	1	1
18-2	23195-30000.....	KEY-woodruff	1	1
18-3	23151-32200.....	PULLEY	1	1
18-4	23110-42200.....	SPACER	1	1
18-5	23127-32200.....	ASS'Y-COVER, rear	1	1
18-6	23135-42200.....	BRUSH	2	2
18-7	23133-32200.....	ASS'Y-HOLDER, brush	1	1
18-8	23118-32200.....	ASS'Y-COVER, front	1	1
18-9	23116-42200.....	PACKING.....	1	1
18-10	23117-42200.....	RETAINER-packing	1	1
18-11	23121-42200.....	SPRING	1	1
18-12	23122-42200.....	RETAINER-bearing	1	1
18-13	23123-42200.....	CLIP-bearing	2	2
18-14	23104-42200.....	SCREW-setting, pole core	2	2
18-15	23105-32200.....	ASS'Y-COIL, field	1	1
	23159-25660.....	CAP-gum	2	2
18-17	23107-42200.....	COVER-brush	1	1
18-18	23131-42200.....	BOLT-through	2	2
18-19	23164-31301.....	BOLT-setting	1	1
18-20	23152-85060.....	WASHER 17 ϕ	1	1
18-21	23153-85060.....	NUT 17 ϕ	1	1
18-22	23132-85060.....	SCREW 4 ϕ	3	3
18-23	23120-42200.....	BEARING-ball	1	1
18-24	23120-85060.....	BEARING-ball	1	1
18-25	23138-42200.....	SPRING-brush	2	2

23300-30100

STARTER MOTOR (HITACHI)

Fig. 20



ILL. NO.	PART NO.	PART NAME	Q'TY PER SECTION	
			SP310	SPL310

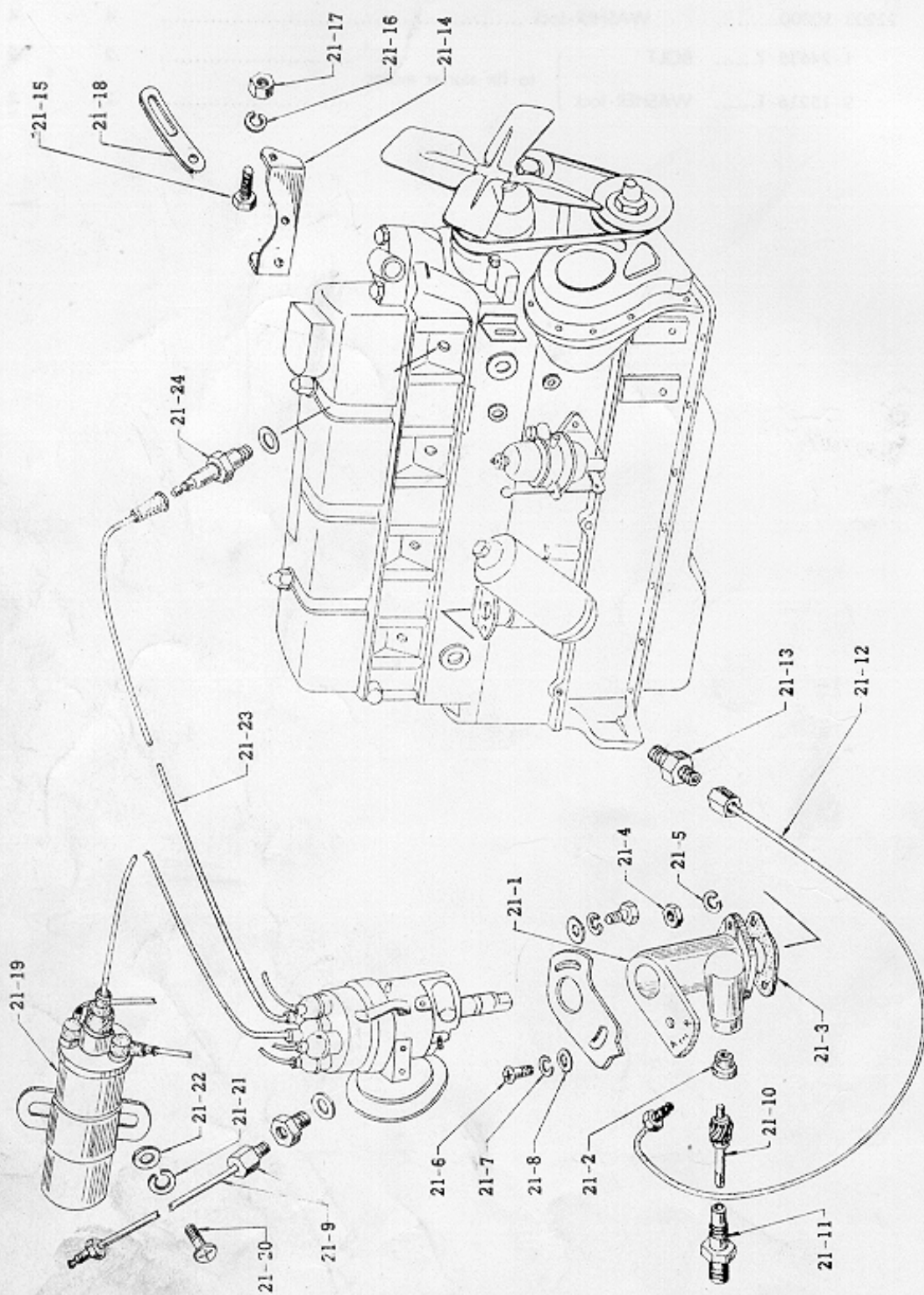
STARTER MOTOR

	32200 23300-30100	MOTOR-STARTER 12 V -1.0 KW	1	1
20-1	23310-30100	ASS'Y-ARMATURE	1	1
20-2	23339-30100	WASHER	1	1
20-3	23382-30100	WASHER	2	2
20-4	23320-30100	WASHER	2	2
20-5	23312-30101	ASS'Y-PINION	1	1
20-6	23314-30100	STOPPER-return spring	1	1
20-7	23315-30100	SPRING-return	1	1
20-8	23369-30100	GUIDE-pinion	1	1
20-9	23370-30100	WASHER-pinion	1	1
20-10	23372-30100	CLIP-pinion	1	1
20-11	23374-30100	SLEEVE-screw	1	1
20-12	23426-31300	SET-SPRING, bendex	(1)	(1)
20-13	23375-31300	COLLAR-spring	1	1
20-14	23317-31300	SPRING-bendex	1	1
20-15	23377-31300	NUT-spring stopper	1	1
20-16	23337-30100	ASS'Y-COVER, rear	1	1
20-17	23333-30100	SPRING-brush	4	4
20-18	23379-30100	BRUSH	1	1
20-19	23380-30100	BRUSH	2	2
20-20	23318-30100	COVER-front	1	1
20-21	23306-30100	ASS'Y-COIL, field	1	1
20-22	23384-30100	SCREW-insulator	1	1
20-23	23385-30100	WASHER-insulator	2	2
20-24	23386-30100	PIPE-insulator	1	1
20-25	23387-30100	WASHER-insulator	1	1
20-26	23388-30100	WASHER-insulator	1	1
20-27	23342-30100	COVER-brush	1	1
20-28	23340-30100	BOLT-through	2	2
20-29	23392-26760	PIN-cotter	1	1
20-30	23393-30100	NUT 6 φ	2	2
20-31	23394-30100	WASHER 6 φ	2	2

ILL. NO.	PART NO.	PART NAME	Q'TY PER SECTION	
			SP310	SPL310
20-32	22203-50000.....	WASHER-lock	4	4
	1-24635-1.....	BOLT	2	2
	9-15216-1.....	WASHER-lock		
		} to fix starter motor	2	2

ELECTRIC PARTS

Fig. 21



ILL. NO.	PART NO.	PART NAME	QTY PER SECTION	
			SP310	SPL310

DISTRIBUTOR & GENERATOR MOUNTING

21-1	22178-10400.....	SUPPORT-distributor.....	1	1
21-2	32706-26760.....	BUSH-speedometer drive pinion.....	1	1
21-3	22179-32200.....	PACKING-support, distributor.....	1	1
21-4	9-11244-1.....	NUT.....	2	2
21-5	9-15114-1.....	WASHER-lock.....	2	2
21-6	3-67412-1.....	SCREW.....	1	1
21-7	9-15114-1.....	WASHER-lock.....	1	1
21-8	9-15414-1.....	WASHER-plain.....	1	1
21-9	22318-10400.....	ASS'Y-TUBE, conduit, vacuum control.....	1	1
21-10	22951-10400.....	PINION-drive, tachometer.....	1	1
21-11	32707-32200.....	ASS'Y-SLEEVE, speedometer pinion.....	1	1
	32709-04100.....	RING-"O" speedometer pinion.....	1	1
	22717-04100.....	RETAINER-"O" ring.....	1	1
	32710-04100.....	RING-"O" sleeve.....	1	1
21-12	22952-10400.....	ASS'Y-TUBE, oil feed tachometer drive.....	1	1
21-13	22954-10400.....	CONNECTION-oil feed tube.....	1	1
21-14	23168-32200.....	BRACKET-mounting generator.....	1	1
21-15	1-34525-1.....	BOLT.....	2	2
21-16	9-15215-1.....	WASHER-lock.....	2	2
21-17	9-11245-1.....	NUT.....	2	2
	9-15515-1.....	WASHER-plain (generator to bar).....	1	1
21-18	23174-32200.....	BAR-adjusting, generator.....	1	1

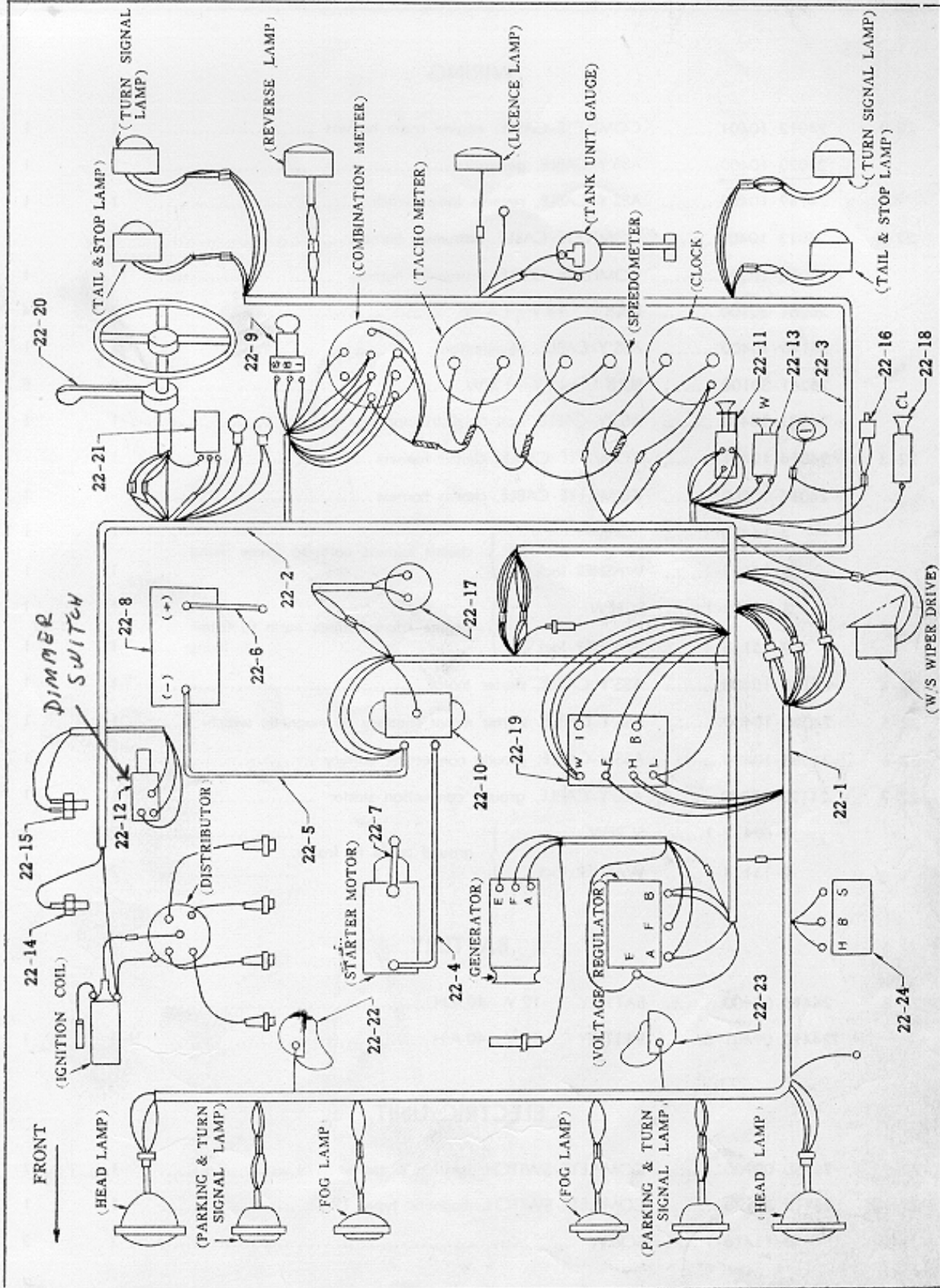
IGNITION COIL & HIGH TENSION CABLE

21-19	22433-09400.....	COIL-ignition (HITACHI).....	1	1
	22433-31304.....	COIL-ignition (NANSHIN).....		
21-20	3-14414-1.....	SCREW.....	2	2
21-21	9-15114-1.....	WASHER-lock.....	2	2
21-22	9-15414-1.....	WASHER-plain.....		
21-23	22410-32200.....	ASS'Y-CABLE, high tension (No. 1).....	1	1

ILL. NO.	PART NO.	PART NAME	Q'TY PER SECTION			
			SP 310	SPL 310		
	22412-32200.....	ASS'Y-CABLE, high tension (No. 2)	1	1		
	22414-32000.....	ASS'Y-CABLE, high tension (No. 3)	1	1		
	22416-32200.....	ASS'Y-CABLE, high tension (No. 4)	1	1		
	22450-10400.....	ASS'Y CABLE, high tension (coil to distributor).....	1	1		
21-24	22401-58000.....	PLUG-spark (N.G.K.)	}	}		
	22401-58001.....	PLUG-spark (N.G.K. hot type)			4	4
	22401-32200.....	PLUG-spark (HITACHI)				
	23500-42200 ⁶¹⁰⁰⁰	REGULATOR-voltage 12V-300W	1	1		
	3-14420-1.....	SCREW.....	2	2		
	9-15114-1.....	WASHER-lock	2	2		

WIRING & ELECTRIC UNIT

Fig. 22



ILL. NO.	PART NO.	PART NAME	QTY PER SECTION	
			SP310	SPL310

WIRING

22-1	○ 24012-10401.....	COMPLETE-CABLE, engine room harness	1	1	
	24020-10400.....	ASS'Y-CABLE, generator	1	1	
	24149-10400.....	ASS'Y-CABLE, reverse lamp switch.....	1	1	
22-2	○ 24013-10401.....	COMPLETE-CABLE, instrument harness	1	-	
	○ 24013-10500.....	COMPLETE-CABLE, instrument harness	-	1	
	26261-30100.....	BULB 12 V---1.5 W	4	4	
	○ 24140-10400.....	ASS'Y-CABLE, illumination	1	1	
	26261-30100.....	BULB 12 V---1.5 W	8	8	
	○ 24021-10400.....	ASS'Y-CABLE, coil to distributor low tension	1	1	
22-3	○ 24014-10401.....	COMPLETE-CABLE, chassis harness.....	1	-	
	○ 24014-10500.....	COMPLETE-CABLE, chassis harness.....	-	1	
	3-14410-1.....	SCREW	} chassis harness earth to frame fixing	1	1
	9-15114-1.....	WASHER-lock		1	1
	3-14410-1.....	SCREW	} engine room harness earth to frame fixing	1	1
	9-15114-1.....	WASHER-lock		1	1
22-4	○ 24110-10400.....	ASS'Y-CABLE, starter motor	1	1	
22-5	○ 24090-10400.....	ASS'Y-CABLE, starter motor (battery to magnetic switch).....	1	1	
22-6	○ 24080-10400.....	ASS'Y-CABLE, ground connection battery	1	1	
22-7	24120-32200.....	ASS'Y-CABLE, ground connection starter	1	1	
	3-69412-1.....	SCREW	} ground cable to frame	2	2
	9-15114-1.....	WASHER-lock		2	2

BATTERY

22-8	24410-09400.....	BATTERY 12 V- 40 A.H.....	1	-
	24410-09401/6.....	BATTERY 12 V- 40 A.H.....	U-1	1

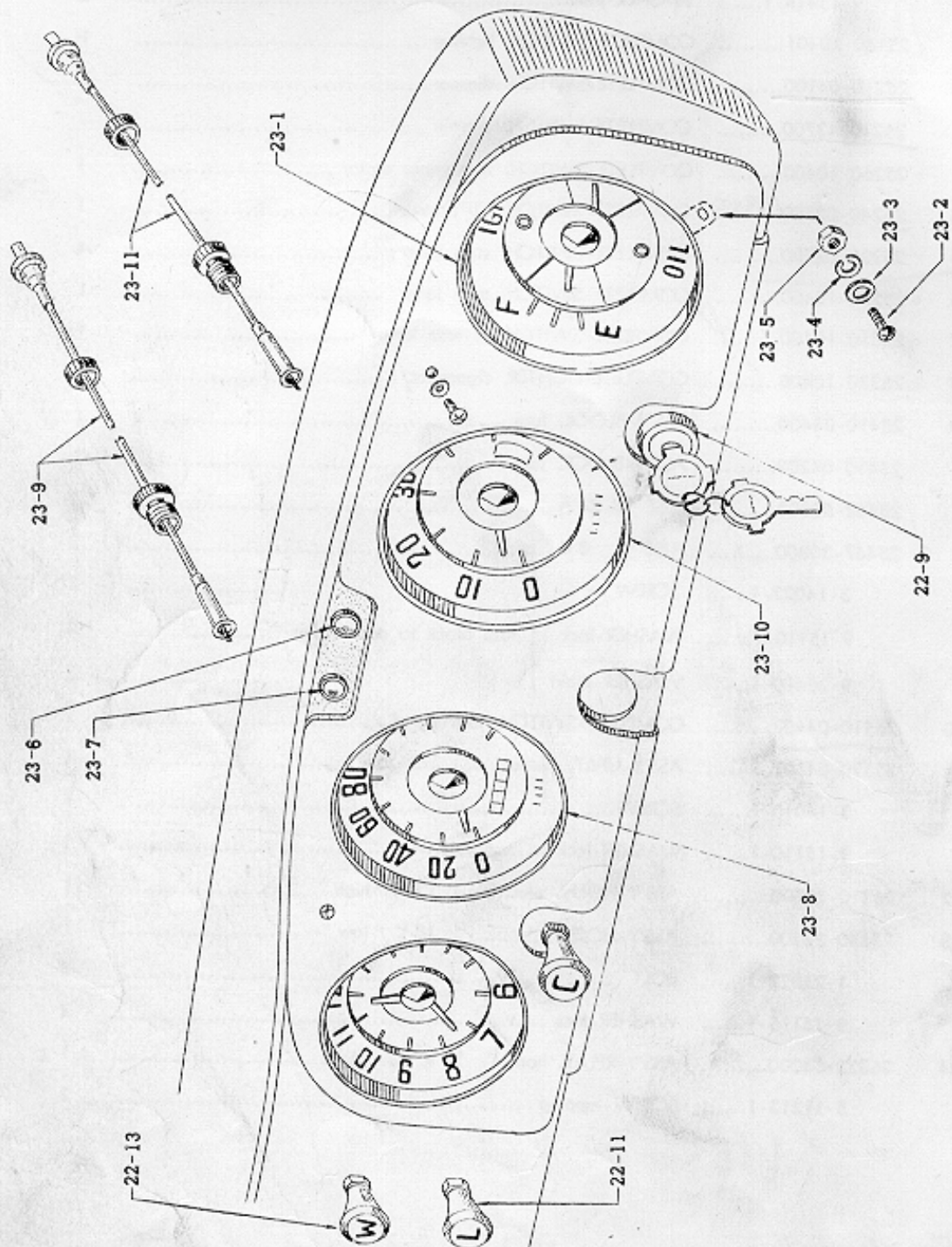
ELECTRIC UNIT

22-9	25150-09900.....	COMPLETE-SWITCH, ignition & starter	1	1
22-10	25117-30100.....	COMPLETE-SWITCH, magnetic type 12V	1	1
	3-11416-1.....	SCREW	2	2

ILL. NO.	PART NO.	PART NAME	Q'TY PER SECTION	
			SP310	SPL310
	9-15114-1.....	WASHER-lock	2	2
	9-15414-1.....	WASHER-plain.....	2	2
22-11	o 25160-10401.....	COMPLETE-SWITCH, lighting	1	1
22-12	<u>25210-04100</u>	COMPLETE-SWITCH, dimmer	1	-
	<u>25210-43700</u>	COMPLETE-SWITCH, dimmer	-	1
22-13	o 25260-10400.....	COMPLETE-SWITCH, w/s wiper motor	1	1
22-14	<u>25240-02700</u> ⁹⁴⁹⁰⁰	COMPLETE-SWITCH, oil pressure	1	1
<u>22-15</u>	<u>25320-02700</u>	COMPLETE-SWITCH, stop lamp	1	1
22-16	o 25270-10400.....	COMPLETE-SWITCH, dash lamp	1	1
22-17	o 25310-10400.....	COMPLETE-SWITCH, reverse lamp	1	1
22-18	o 25330-10400.....	COMPLETE-LIGHTER, cigarettes	1	1
22-19	25410-04400.....	ASS'Y-BLOCK, fuse.....	1	-
	25410-04200.....	ASS'Y-BLOCK, fuse.....	U-1	1
	25462-50000.....	FUSE 20 A	2	2
	25467-30800.....	FUSE 8 A	2	2
	3-14022-1.....	SCREW	2	2
	9-15110-1.....	WASHER-lock } fuse block to dash upper	2	2
	9-25410-1.....	WASHER-plain }	2	2
22-20	<u>25510-04402</u>	COMPLETE-SWITCH, turn signal.....	1	1
22-21	<u>25520-04101</u>	ASS'Y-UNIT, flasher.....	1	1
	3-14010-1.....	SCREW.....	1	1
	9-15110-1.....	WASHER-lock	1	1
22-22	26310-32200.....	ASS'Y-HORN, electric 12 V "high"	1	1
22-23	25330-32200.....	ASS'Y-HORN, electric 12 V "low"	1	1
	1-21522-1.....	BOLT	4	4
	9-15115-1.....	WASHER-lock	4	4
22-24	26320-58000.....	ASS'Y-RELAY, horn 12 V	1	1
	5-11213-1.....	SCREW-topping	2	2

METER

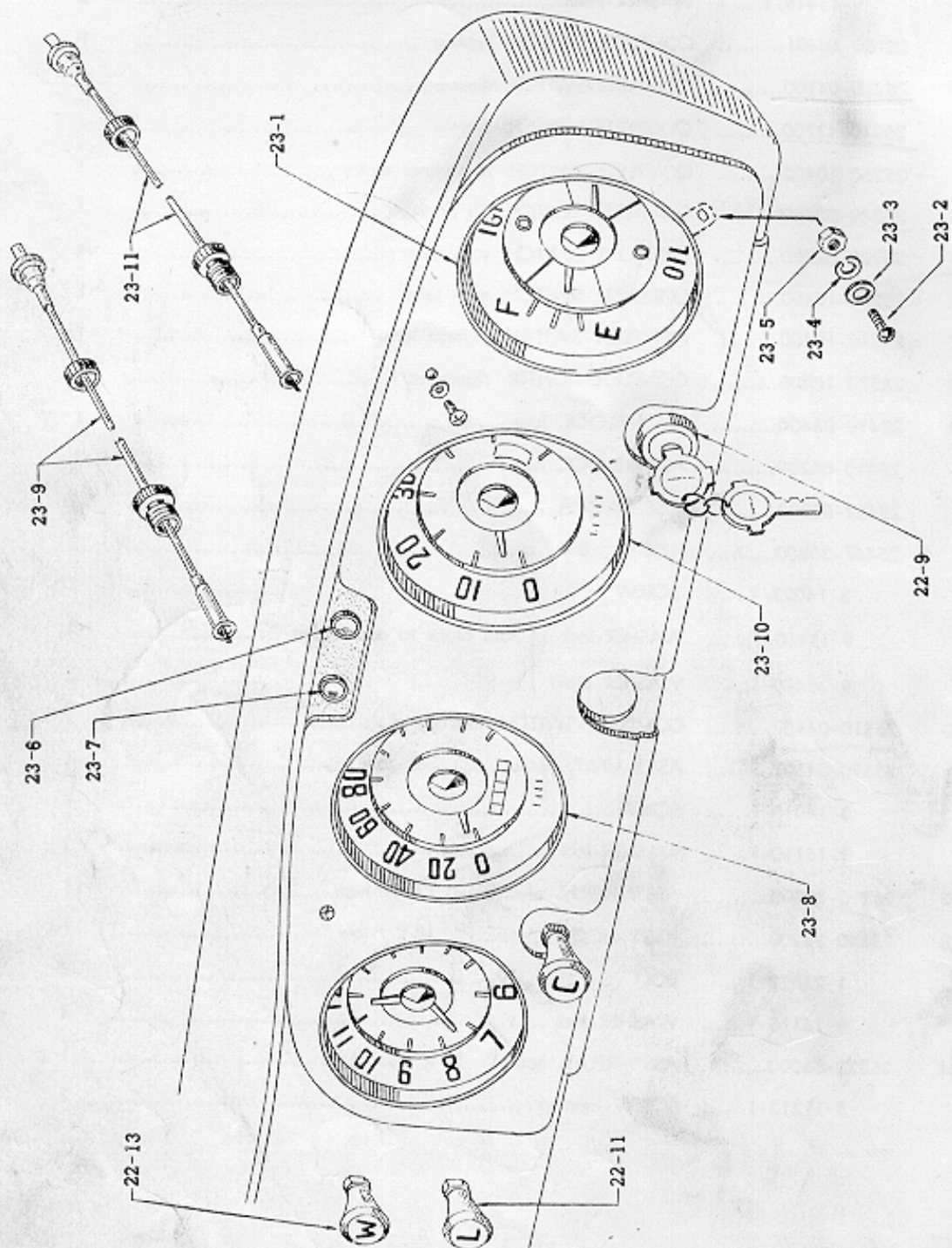
Fig. 23



ILL. NO.	PART NO.	PART NAME	Q'TY PER SECTION	
			SP310	SPL310
	9-15114-1.....	WASHER-lock	2	2
	9-15414-1.....	WASHER-plain.....	2	2
22-11	o 25160-10401.....	COMPLETE-SWITCH, lighting	1	1
22-12	<u>25210-04100</u>	COMPLETE-SWITCH, dimmer	1	-
	<u>25210-43700</u>	COMPLETE-SWITCH, dimmer	-	1
22-13	o 25260-10400.....	COMPLETE-SWITCH, w/s wiper motor	1	1
22-14	<u>25240-02700</u> ⁸⁹⁹⁰⁰	COMPLETE-SWITCH, oil pressure	1	1
22-15	<u>25320-02700</u>	COMPLETE-SWITCH, stop lamp	1	1
22-16	o 25270-10400.....	COMPLETE-SWITCH, dash lamp	1	1
22-17	o 25310-10400.....	COMPLETE-SWITCH, reverse lamp	1	1
22-18	o 25330-10400.....	COMPLETE-LIGHTER, cigarettes	1	1
22-19	25410-04400.....	ASS'Y-BLOCK, fuse.....	1	-
	25410-04200.....	ASS'Y-BLOCK, fuse.....	U-1	1
	25462-50000.....	FUSE 20 A	2	2
	25467-30800.....	FUSE 8 A	2	2
	3-14022-1.....	SCREW	2	2
	9-15110-1.....	WASHER-lock } fuse block to dash upper	2	2
	9-25410-1.....	WASHER-plain }	2	2
22-20	<u>25510-04402</u>	COMPLETE-SWITCH, turn signal.....	1	1
22-21	25520-04101.....	ASS'Y-UNIT, flasher.....	1	1
	3-14010-1.....	SCREW.....	1	1
	9-15110-1.....	WASHER-lock	1	1
22-22	26310-32200.....	ASS'Y-HORN, electric 12 V " high "	1	1
22-23	25330-32200.....	ASS'Y-HORN, electric 12 V " low "	1	1
	1-21522-1.....	BOLT	4	4
	9-15115-1.....	WASHER-lock	4	4
22-24	26320-58000.....	ASS'Y-RELAY, horn 12 V	1	1
	5-11213-1.....	SCREW-topping	2	2

METER

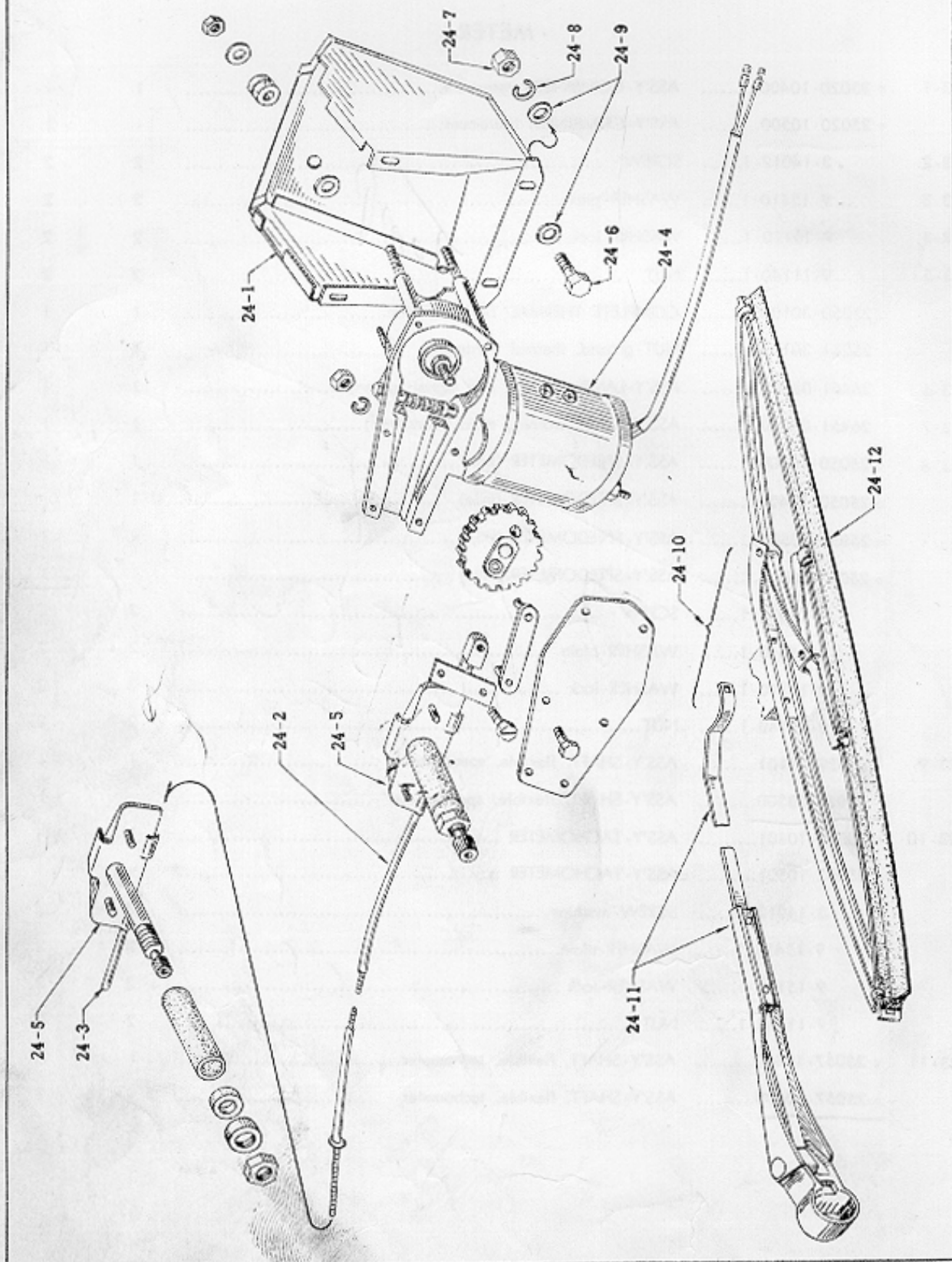
Fig. 23



ILL. NO.	PART NO.	PART NAME	Q'TY PER SECTION	
			SP310	SPL310
METER				
23-1	o 25020-10400.....	ASS'Y-COMBINED, instrument.....	1	-
	o 25020-10500.....	ASS'Y-COMBINED, instrument.....	-	1
23-2	3-14012-1.....	SCREW	2	2
23-3	9-15410-1.....	WASHER-plain.....	2	2
23-4	9-15110-1.....	WASHER-lock	2	2
23-5	9-11140-1.....	NUT	2	2
	25250-30100.....	COMPLETE-THERMAL TRANSMITTER	1	1
	25251-30100.....	NUT-ground, thermal transmitter	1	1
23-6	26461-08600.....	ASS'Y-LAMP, warning turn signal (green)	1	1
23-7	26451-08600.....	ASS'Y-LAMP, warning main beam (red).....	1	1
23-8	o 25050-10400.....	ASS'Y-SPEEDOMETER (km)	1	-
	o 25050-10401.....	ASS'Y-SPEEDOMETER (mile)	U-1	-
	o 25050-10500.....	ASS'Y-SPEEDOMETER (km)	-	1
	o 25050-10501.....	ASS'Y-SPEEDOMETER (mile)	-	1
	3-14012-1.....	SCREW	2	2
	9-15410-1.....	WASHER-plain	2	2
	9-15110-1.....	WASHER-lock	2	2
	9-11140-1.....	NUT.....	2	2
23-9	25055-04101.....	ASS'Y-SHAFT, flexible, speedometer	1	-
	25055-08300.....	ASS'Y-SHAFT, flexible, speedometer	-	1
23-10	o 25052-10401.....	ASS'Y-TACHOMETER	1	-
	o 25052-10501.....	ASS'Y-TACHOMETER	-	1
	3-14012-1.....	SCREW-machine	2	2
	9-15410-1.....	WASHER-plain.....	2	2
	9-15110-1.....	WASHER-lock	2	2
	9-11140-1.....	NUT.....	2	2
23-11	o 25057-10400.....	ASS'Y-SHAFT, flexible, tachometer.....	1	-
	o 25057-10500.....	ASS'Y-SHAFT, flexible, tachometer	-	1

W/S WIPER

Fig. 24

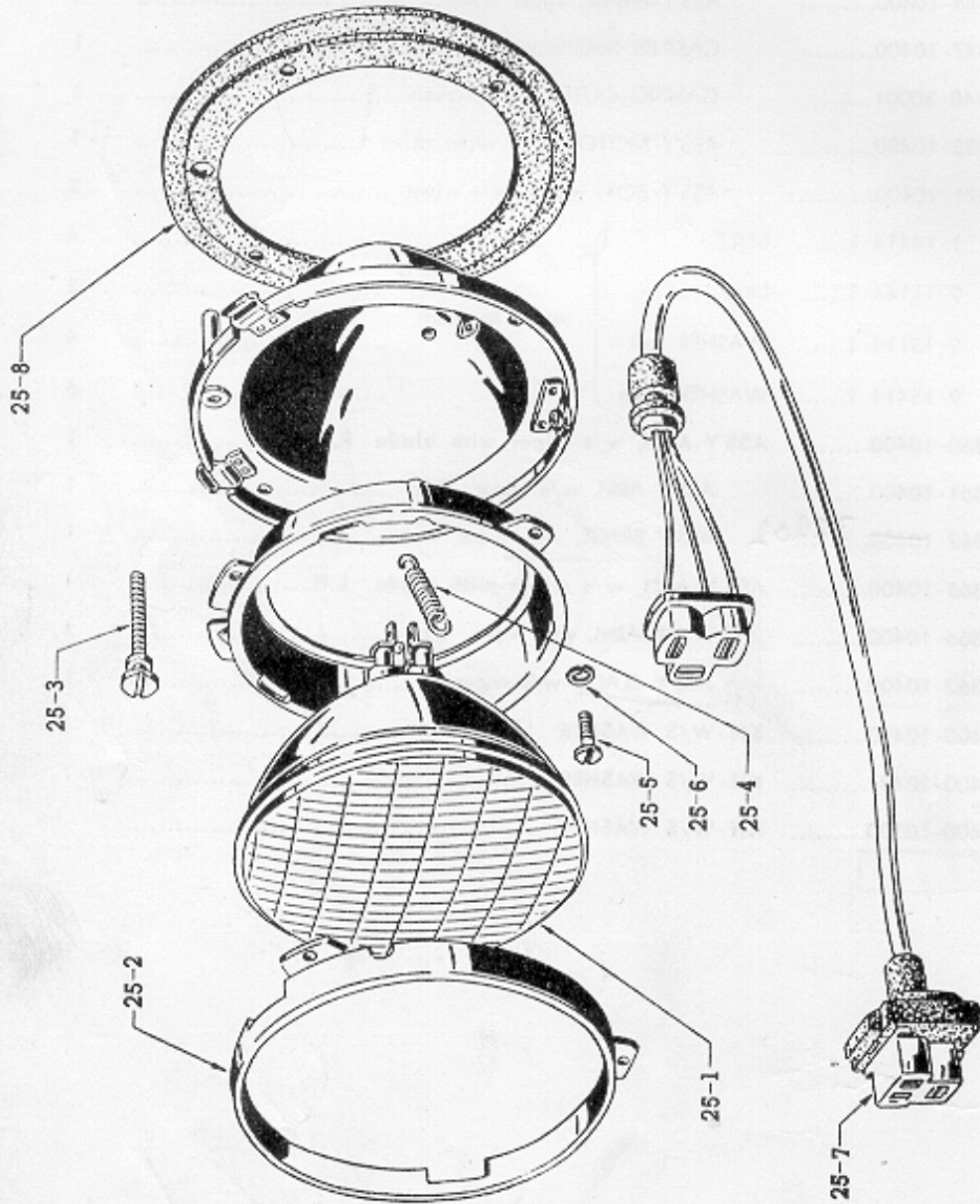


ILL. NO.	PART NO.	PART NAME	Q'TY PER SECTION	
			SP 310	SPL 310
W/S WIPER				
	○ 26340-10400.....	ASS'Y-WIPER DRIVE, w/s	1	1
24-1	○ 26345-10400.....	ASS'Y-FRAME, wiper drive	1	1
24-2	○ 26347-10400.....	CASING-flexible wire	1	1
24-3	26348-30001.....	CASING-OUTER, wind screen	1	1
24-4	○ 26355-10400.....	ASS'Y-MOTOR, w/s wiper drive	1	1
24-5	○ 26371-10400.....	ASS'Y-BOX, wheel, w/s wiper	2	2
24-6	1-14414-1.....	BOLT	} wiper to cowl	4
24-7	9-11144-1.....	NUT		2
24-8	9-15114-1.....	WASHER-lock		4
24-9	9-15414-1.....	WASHER-plain		6
24-10	○ 26360-10400.....	ASS'Y-ARM, w/s wiper with blade R.H.....	1	1
24-11	○ 26361-10400.....	ASS'Y-ARM, w/s wiper R.H.	1	1
24-12	○ 26362- 10400 32282.....	ASS'Y-BRADE, w/s wiper	1	1
	○ 26365-10400.....	ASS'Y-ARM, w/s wiper with blade L.H.....	1	1
	○ 26366-10400.....	ASS'Y-ARM, w/s wiper L.H.	1	1
	○ 26362-10400.....	ASS'Y-BLADE, w/s wiper	1	1
	○ 27400-10400.....	KIT-W/S WASHER	1	-
	○ 27400-10401.....	KIT-W/S WASHER	U-1	-
	○ 27400-10500.....	KIT-W/S WASHER	-	1

26010-10400

HEAD LAMP

Fig. 25



ILL. NO.	PART NO.	PART NAME	Q'TY PER SECTION	
			SP310	SPL310

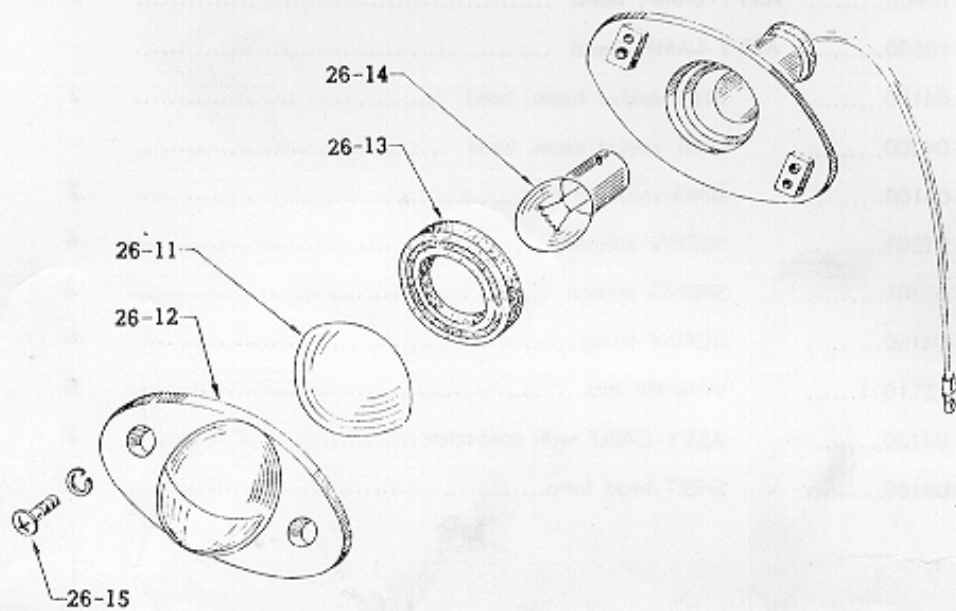
HEAD LAMP

	o 26010-10400.....	ASS'Y-LAMP, head	2	-
	o 26010-10500.....	ASS'Y-LAMP, head	-	2
25-1	26705-04100.....	UNIT-sealed beam, head	2	-
	26705-04200.....	UNIT-sealed beam, head	-	2
25-2	26017-04100.....	RING-retaining lens.....	2	2
25-3	26022-01301.....	SCREW-adjusting.....	4	4
25-4	26024-01301.....	SPRING-tension	2	2
25-5	26022-04100.....	SCREW-fixing	8	8
25-6	9-15110-1.....	WASHER-lock	8	8
25-7	26031-04100.....	ASS'Y-CABLE with connector	2	2
25-8	26027-04100.....	SHEET-head lamp.....	2	2

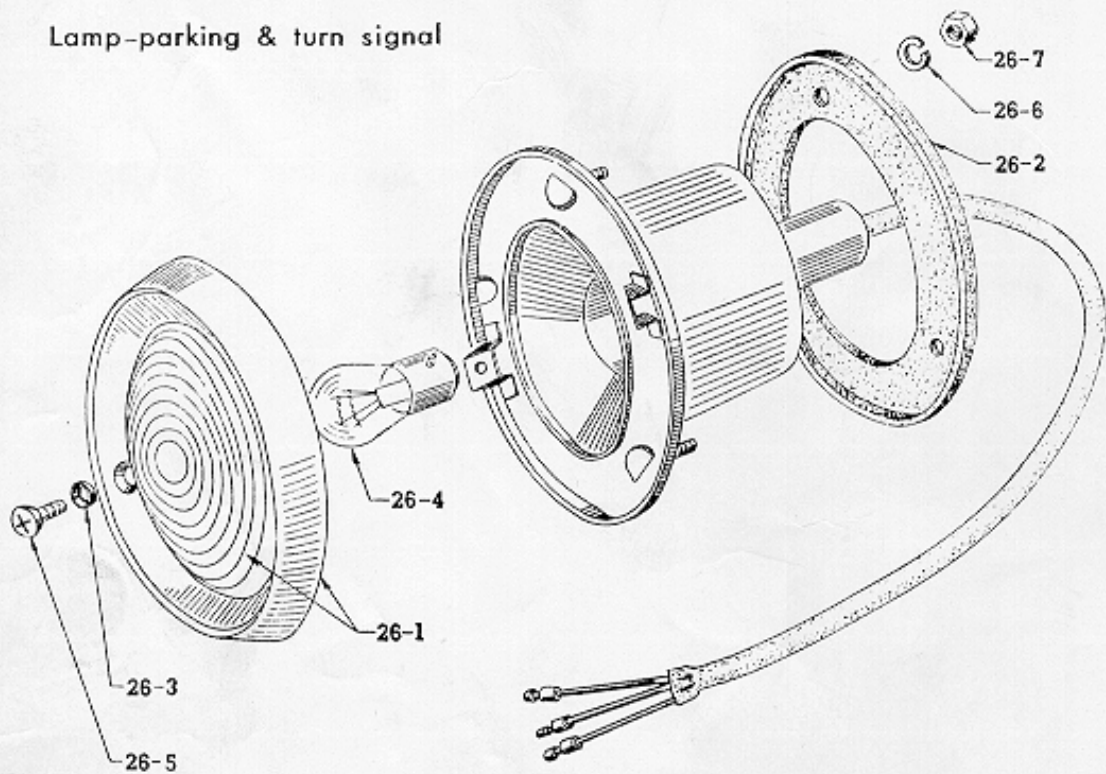
LAMP (1)

Fig. 26

Lamp-room & map



Lamp-parking & turn signal



ILL. NO.	PART NO.	PART NAME	Q'TY PER SECTION	
			SP310	SPL310

LAMP (1)

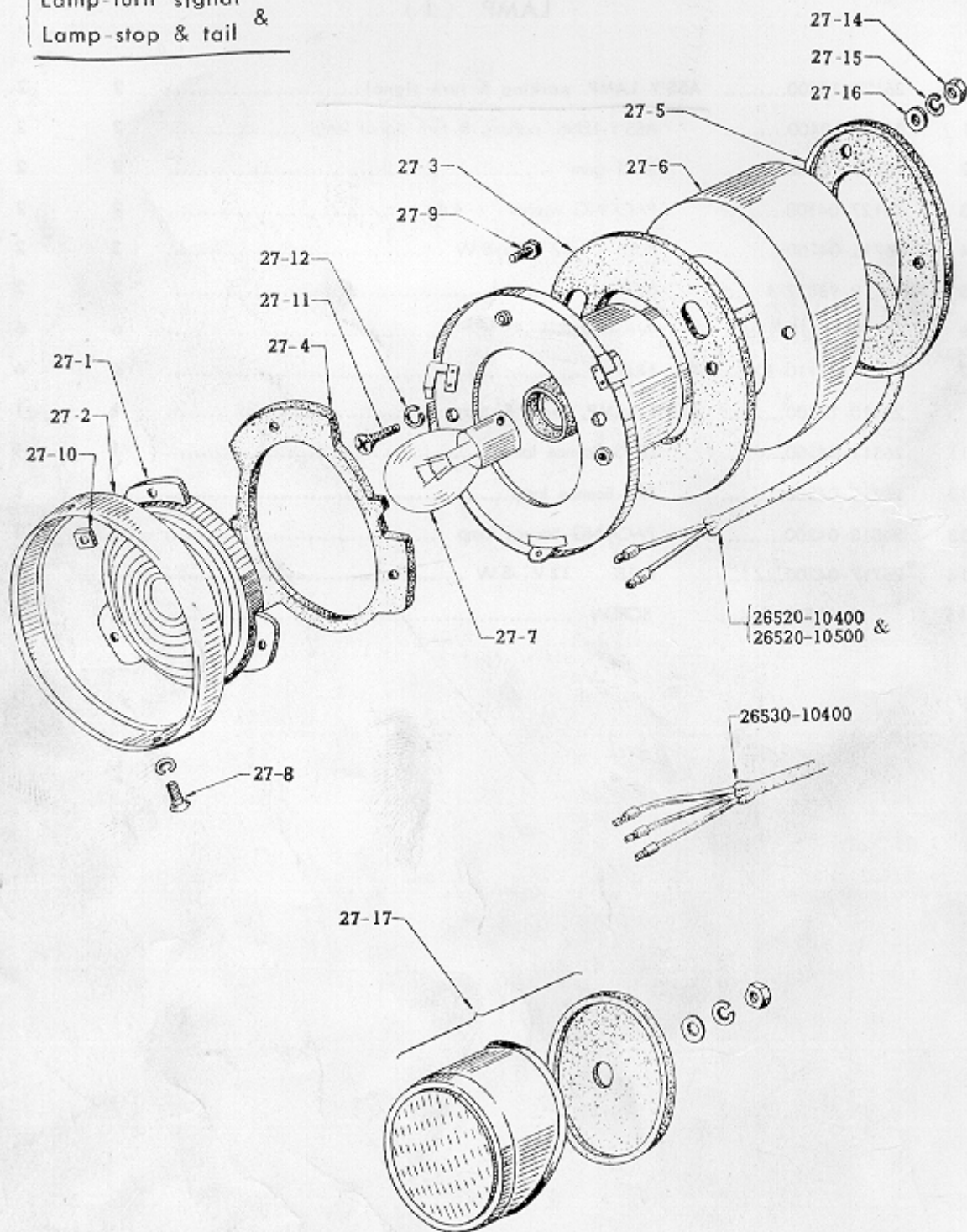
	26120-10400.....	ASS'Y-LAMP, parking & turn signal.....	2	2
26-1	26121-10400.....	ASS'Y-LENS, parking & turn signal lamp	2	2
26-2	26123-10400.....	SEAT-gum	2	2
26-3	26127-04100.....	PACKING-washer 4 ϕ	2	2
26-4	26715-04200.....	BULB 12 V-25/8 W	2	2
26-5	9-98812-1.....	SCREW	2	2
26-6	9-15110-1.....	WASHER-lock	6	6
26-7	9-11110-1.....	NUT	6	6
	26410-10400.....	ASS'Y-LAMP, room & map	1	1
26-11	26511-04200.....	LENS-licence lamp	1	1
26-12	26512-04200.....	RIM-licence lamp.....	1	1
26-13	26513-04200.....	PACKING-licence lamp	1	1
26-14	26717-04200.....	BULB 12 V-8 W	1	1
26-15	9-98511-2.....	SCREW	2	2

Tail Lamp

LAMP (2)

Fig. 27

Lamp-turn signal &
Lamp-stop & tail



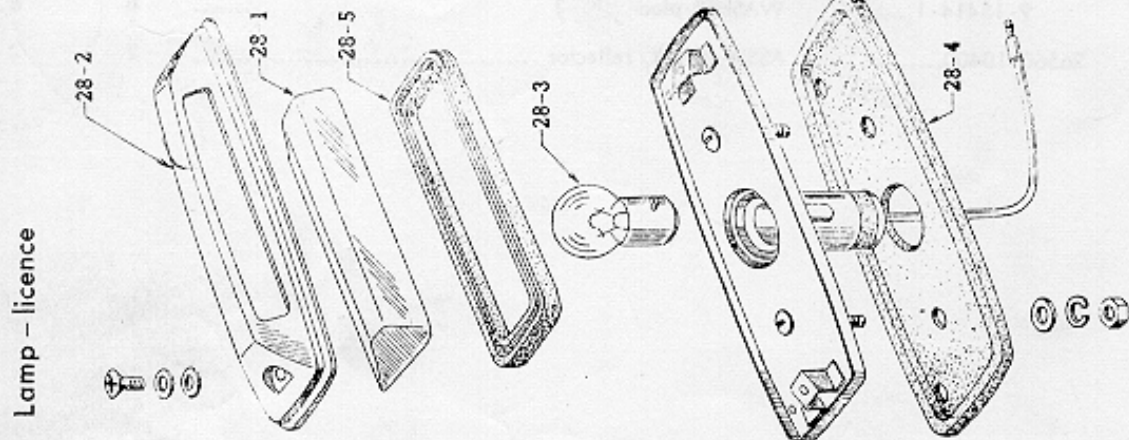
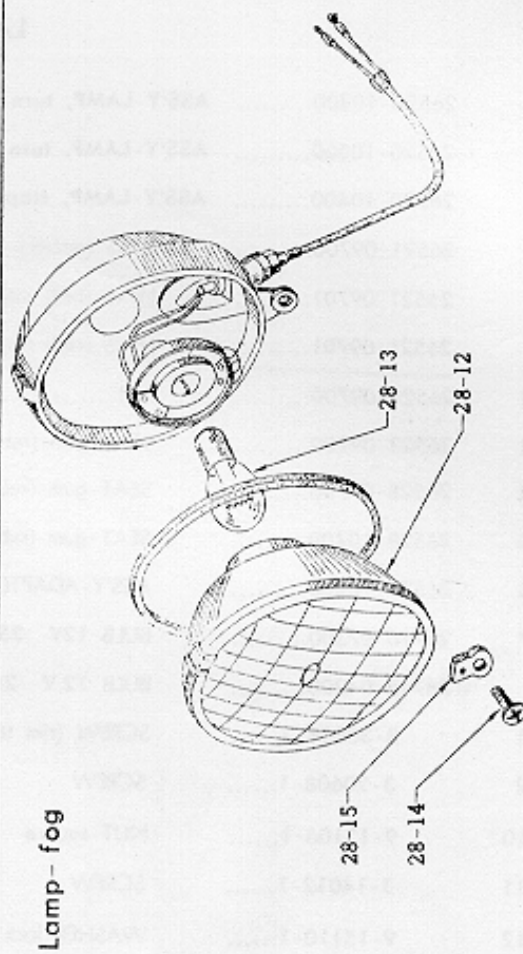
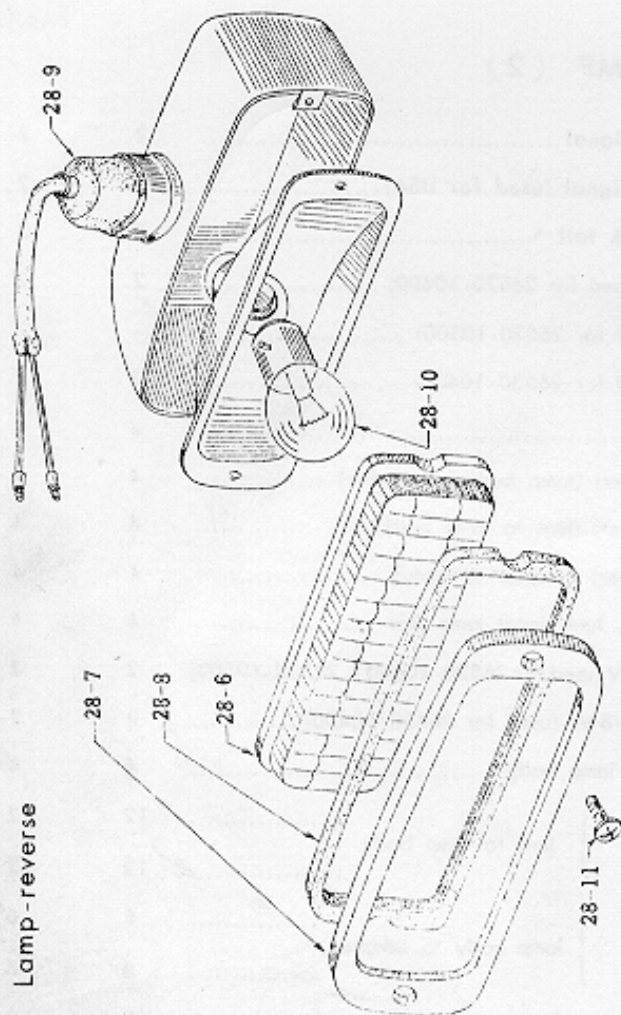
Tail Lamp

NISSAN MOTOR CO., LTD.

ILL. NO.	PART NO.	PART NAME	Q'TY PER SECTION	
			SP310	SPL310
LAMP (2)				
	26520-10400.....	ASS'Y-LAMP, turn signal.....	2	2
	26520-10500.....	ASS'Y-LAMP, turn signal (used for USA).....	-	2,
	26530-10400.....	ASS'Y-LAMP, stop & tail.....	2	2
27-1	26521-09700.....	LENS (amber) (used for 26520-10400).....	2	2
	25521-09701.....	LENS (red) (used for 26520-10500).....	-	2
	26521-09701.....	LENS (red) (used for 26530-10400).....	2	2
27-2	26522-09700.....	RIM.....	4	4
27-3	26523-09700.....	SEAT-gum (rubber) (lamp body to adapter).....	4	4
27-4	26528-09700.....	SEAT-gum (rubber) (lens to lamp body).....	4	4
27-5	26528-10400.....	SEAT-gum (rubber) (adapter to body).....	4	4
27-6	26529-10400.....	ASS'Y-ADAPTER, turn signal lamp rear.....	4	4
27-7	26716-07300.....	BULB 12V- 25W (used for 26520-10400 & 26520-10500)	2	2
	26715-04200.....	BULB 12 V 25/8 W (used for 26530-10400).....	2	2
27-8	3-30608-2.....	SCREW (rim to lamp body).....	4	4
27-9	3-20608-1.....	SCREW	12	12
27-10	9-13106-1.....	NUT-square	12	12
27-11	3-14012-1.....	SCREW	8	8
27-12	9-15110-1.....	WASHER-lock	8	8
	9-98112-1.....	SCREW	8	8
27-14	9-99203-1.....	NUT	8	8
27-15	9-99903-1.....	WASHER-lock	8	8
27-16	9-15414-1.....	WASHER-plain	8	8
27-17	26560-10400.....	ASS'Y-REFLEX, reflector.....	2	2

LAMP (3)

Fig. 28



ILL. NO.	PART NO.	PART NAME	Q'TY PER SECTION	
			SP310	SPL310

LAMP (3)

	o 26510-36700.....	ASS'Y-LAMP, licence	1	1
28-1	26511-32200.....	LENS	1	1
28-2	26512-32200.....	RIM	1	1
28-3	26717-04200.....	BULB 12 V - 8 W	1	1
28-4	26513-32200.....	SEAT-gum (rubber)	1	1
28-5	26518-32200.....	PACKING-lens.....	1	1
	o 26540-10400.....	ASS'Y-LAMP, reverse	1	1
28-6	26231-02700.....	LENS-reverse lamp	1	1
28-7	26233-02700.....	PIM-reverse.....	1	1
28-8	26234-02700.....	PACKING-reverse lamp	1	1
28-9	o 26547-10400.....	RUBBER-water proof	1	1
28-10	26232-02700.....	BULB.....	1	1
28-11	9-98811-2.....	SCREW	2	2
	o 26544-10400.....	BRACKET-reverse lamp	1	1
	3-14414-1.....	SCREW	2	2
	9-15114-1.....	WASHER-lock	2	2
	26150-09401.....	ASS'Y-LAMP, fog	2	2
28-12	26151-34200.....	ASS'Y-LENS, fog lamp	2	2
28-13	26713-34200.....	BULB 12 V - 35 W	2	2
28-14	9-98525-2.....	SCREW	2	2
28-15	26152-30000.....	ASS'Y-HOLDER, lens	2	2

ILL. NO.	PART NO.	PART NAME	Q'TY PER SECTION	
			SP 310	SPL 310

CAR HEATER

27010-10400.....	KIT-HEATER, car	1	1
------------------	-----------------------	---	---

RADIO

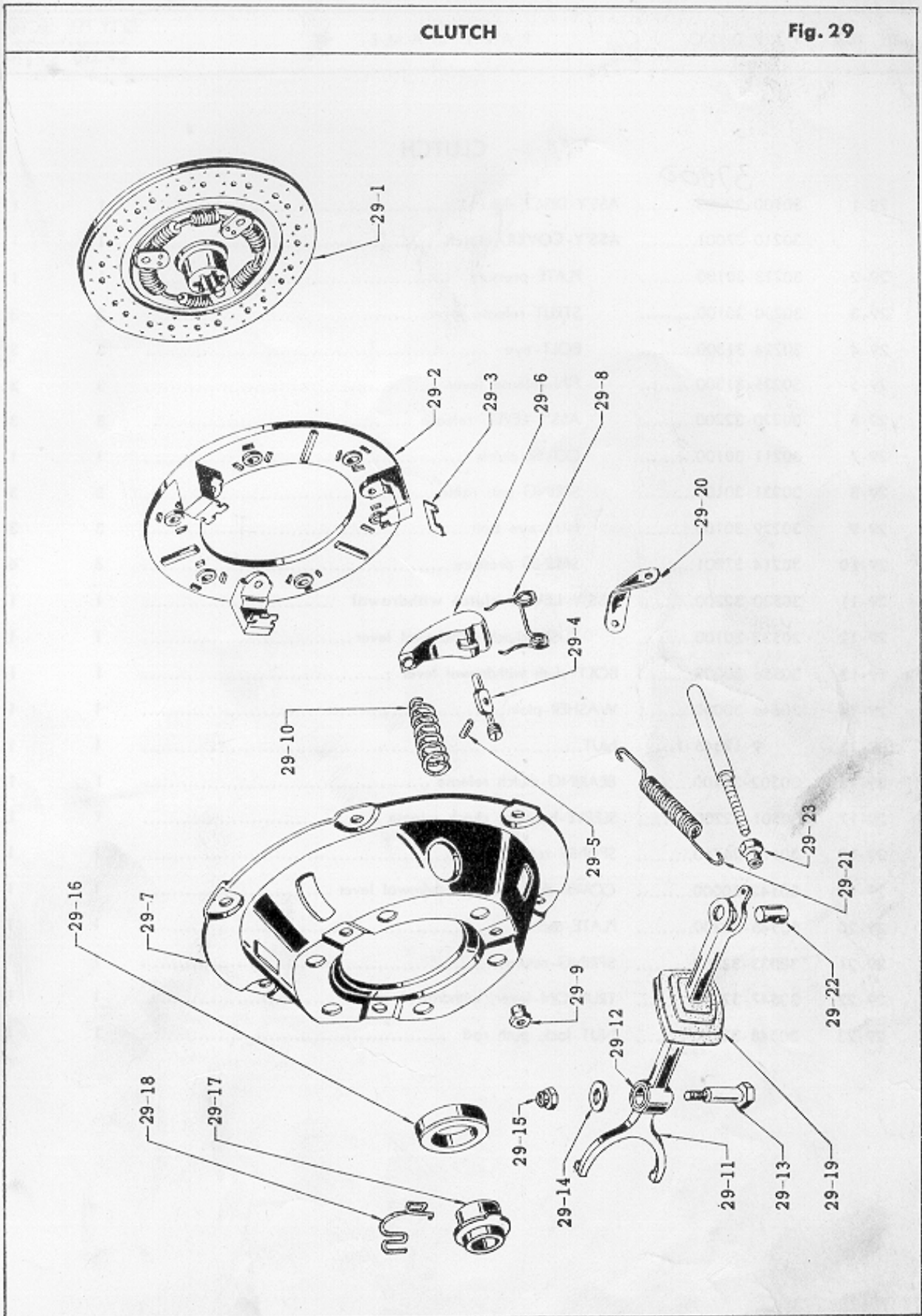
27310-10400.....	SET-RADIO	1	-
27310-10401.....	SET-RADIO	U-1	-
27310-10500.....	SET-RADIO	-	1

CLOCK

27390-10400.....	COMPLETE-CLOCK	1	-
27390-10500.....	COMPLETE-CLOCK	-	1
3-14012-1.....	SCREW	2	2
9-15410-1.....	WASHER-plain	2	2

CLUTCH

Fig. 29



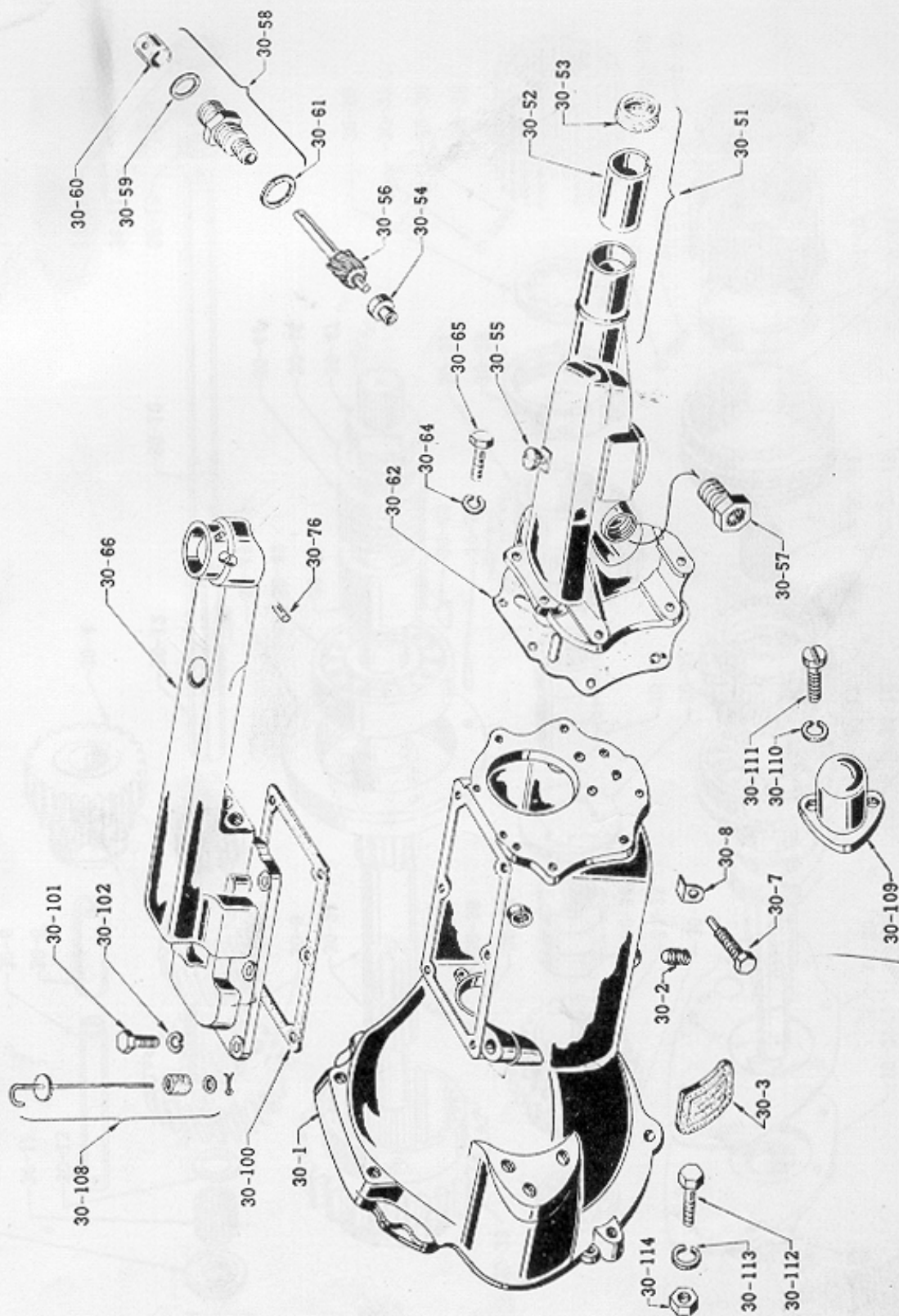
ILL. NO.	PART NO.	PART NAME	Q'TY PER SECTION	
			SP310	SPL310

CLUTCH

29-1	30100- 32200 ³⁷⁰⁰⁰	ASS'Y-DISC, clutch	1	1
	30210-37001.....	ASS'Y-COVER, clutch	1	1
29-2	30213-30100.....	PLATE-pressure	1	1
29-3	30230-30100.....	STRUT-release lever	3	3
29-4	30224-31300.....	BOLT-eye	3	3
29-5	30225-31300.....	PIN-release lever	3	3
29-6	30220-32200.....	ASS'Y-LEVER, release	3	3
29-7	30211-30100.....	COVER-clutch	1	1
29-8	30231-30100.....	SPRING-anti rattle	3	3
29-9	30229-30100.....	NUT-eye bolt.....	3	3
29-10	30214-37001.....	SPRING-pressure	6	6
29-11	30530-32200.....	ASS'Y-LEVER clutch withdrawal	1	1
29-12	30532-30100.....	BUSH-clutch withdrawal lever.....	1	1
29-13	30536-30002.....	BOLT-clutch withdrawal lever	1	1
29-14	30646-30000.....	WASHER-plain.....	1	1
29-15	9-12346-1.....	NUT.....	1	1
29-16	30502-32200.....	BEARING-clutch release	1	1
29-17	30501-32200.....	SLEEVE-bearing, clutch release	1	1
29-18	30513-26760.....	SPRING-retainer	1	1
29-19	30542-30000.....	COVER-dust, clutch withdrawal lever	1	1
29-20	30546-32200.....	PLATE-anchor	1	1
29-21	30533-32200.....	SPRING-return.....	1	1
29-22	30547-32200.....	TRUNION-lever, withdrawal, clutch	1	1
29-23	30548-32200.....	NUT-lock, push rod	1	1

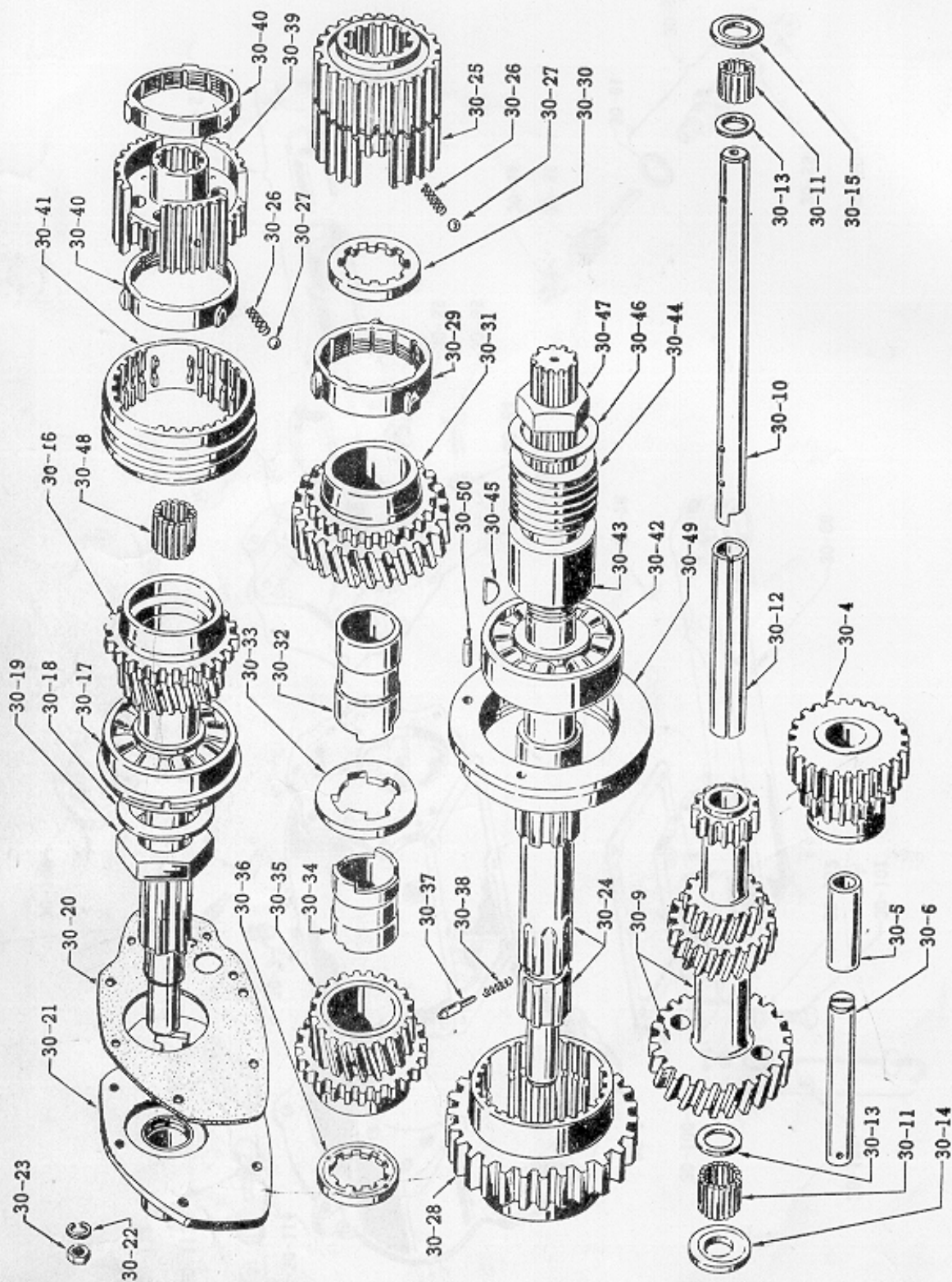
TRANSMISSION CASE

Fig. 30



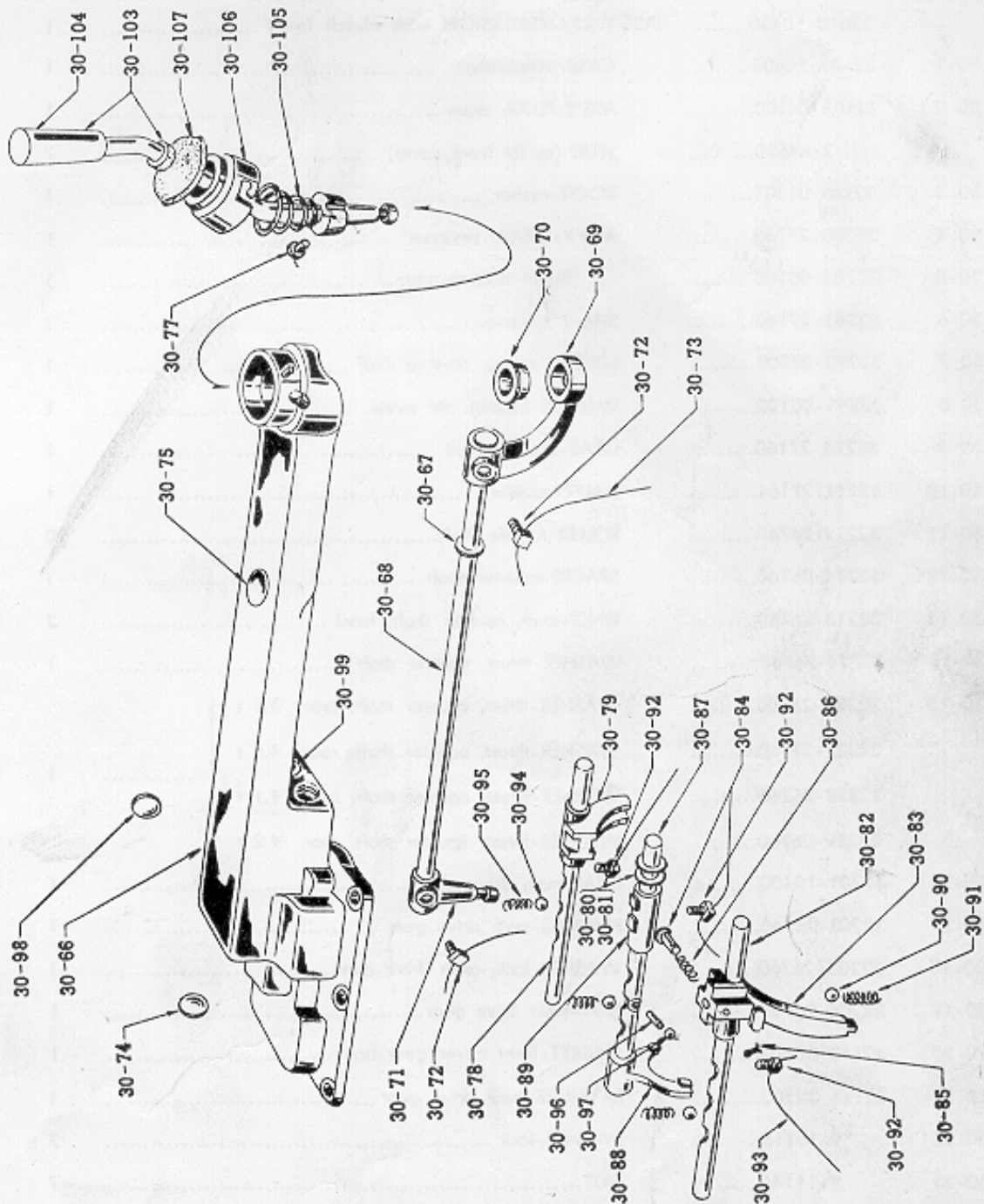
TRANSMISSION GEAR

Fig. 30-A



TRANSMISSION FORK & ROD

Fig. 30-B



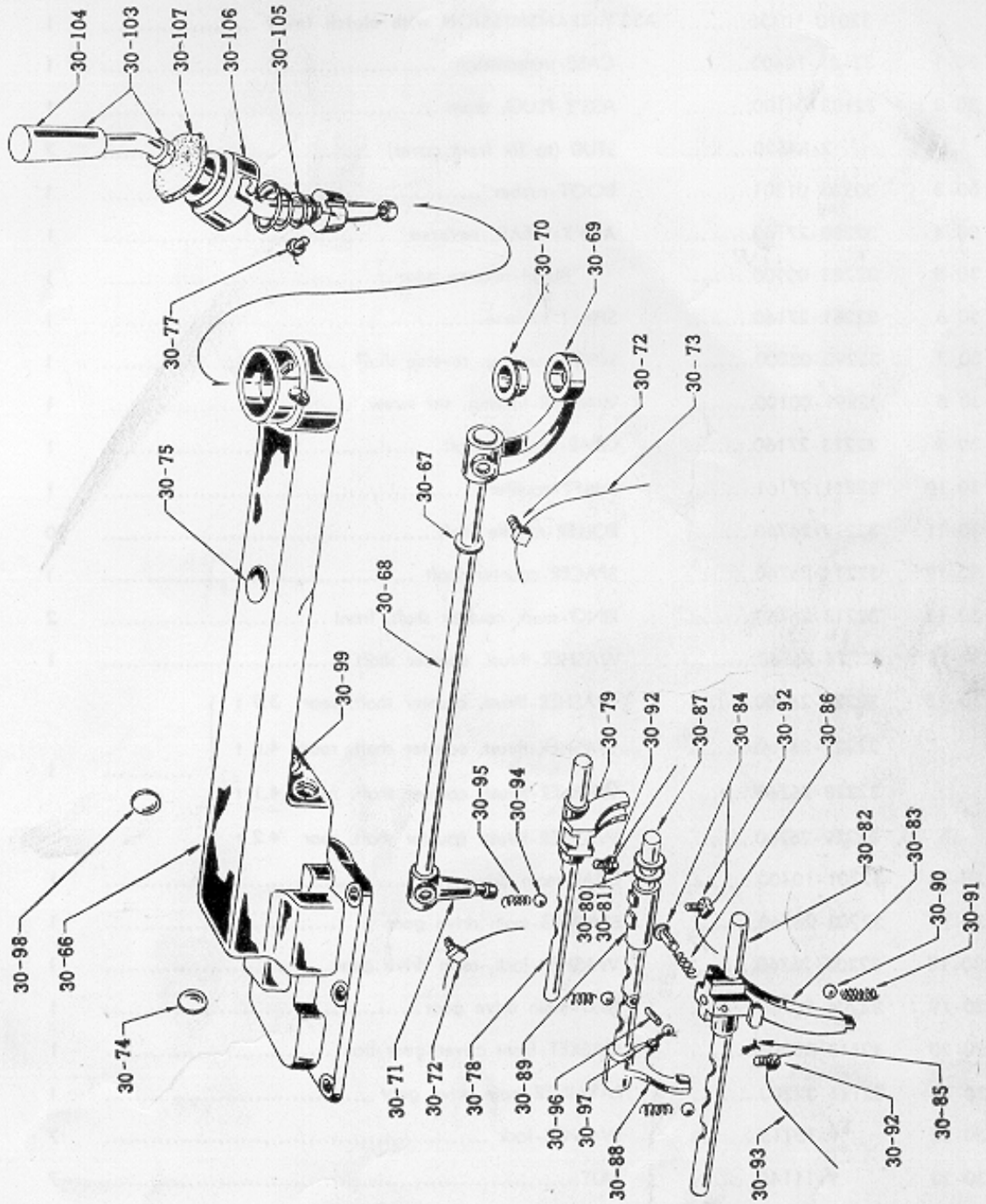
ILL. NO.	PART NO.	PART NAME	Q'TY PER SECTION	
			SP310	SPL310

TRANSMISSION

	o 32010-10450.....	ASS'Y-TRANSMISSION with clutch lever	1	1
30-1	o 32101-10400.....	CASE-transmission	1	1
30-2	32103-04100.....	ASS'Y-PLUG, drain	1	1
	2-84520.....	STUD (to fix front cover)	7	7
30-3	30543-01301.....	BOOT-rubber	1	1
30-4	32280-27160.....	ASS'Y-GEAR, reverse	1	1
30-5	32283-00100.....	BUSH-reverse gear	1	1
30-6	32281-27160.....	SHAFT-reverse.....	1	1
30-7	32290-03200.....	SCREW-setting, reverse shaft	1	1
30-8	32291-00100.....	WASHER-locking, set screw	1	1
30-9	32213-27160.....	GEAR-counter shaft	1	1
30-10	32211-27161.....	SHAFT-counter	1	1
30-11	32219-26760.....	ROLLER-needle shaft.....	20	20
30-12	32214-26760.....	SPACER-counter shaft	1	1
30-13	32218-26760.....	RING-snap, counter shaft, front	2	2
30-14	32224-26760.....	WASHER-thrust, counter shaft	1	1
30-15	32226-26760.....	WASHER-thrust, counter shaft, rear 3.9 t	}	}
	32227-26760.....	WASHER-thrust, counter shaft, rear 4.0 t		
	32228-26760.....	WASHER-thrust, counter shaft, rear 4.1 t		
	32229-26760.....	WASHER-thrust, counter shaft, rear 4.2 t		
30-16	32201-10400.....	GEAR-main drive.....	1	1
30-17	32203-26760.....	BEARING-main drive gear	1	1
30-18	32205-26760.....	WASHER-lock, main drive gear	1	1
30-19	32206-26760.....	NUT-main drive gear	1	1
30-20	32112-30800.....	GASKET-front cover gear box	1	1
30-21	32111-32200.....	RATAINER-main drive gear	1	1
30-22	9-15115.....	WASHER-lock	7	7
30-23	9-11145.....	NUT.....	7	7
30-24	32241-07200.....	SHAFT-main.....	1	1
30-25	32601-02700.....	HUB-synchronizer, 2nd speed.....	1	1
30-26	32602-26760.....	SPRING-synchronizer	6	6

TRANSMISSION FORK & ROD

Fig. 30-B



ILL. NO.	PART NO.	PART NAME	QTY PER SECTION	
			5P310	SPL310

TRANSMISSION

	o 32010-10450.....	ASS'Y-TRANSMISSION with clutch lever	1	1
30-1	o 32101-10400.....	CASE-transmission	1	1
30-2	32103-04100.....	ASS'Y-PLUG, drain	1	1
	2-84520.....	STUD (to fix front cover)	7	7
30-3	30543-01301.....	BOOT-rubber	1	1
30-4	32280-27160.....	ASS'Y-GEAR, reverse	1	1
30-5	32283-00100.....	BUSH-reverse gear	1	1
30-6	32281-27160.....	SHAFT-reverse.....	1	1
30-7	32290-03200.....	SCREW-setting, reverse shaft	1	1
30-8	32291-00100.....	WASHER-locking, set screw	1	1
30-9	32213-27160.....	GEAR-counter shaft	1	1
30-10	32211-27161.....	SHAFT-counter	1	1
30-11	32219-26760.....	ROLLER-needle shaft.....	20	20
30-12	32214-26760.....	SPACER-counter shaft	1	1
30-13	32218-26760.....	RING-snap, counter shaft, front	2	2
30-14	32224-26760.....	WASHER-thrust, counter shaft	1	1
30-15	32226-26760.....	WASHER-thrust, counter shaft, rear 3.9 t	}	}
	32227-26760.....	WASHER-thrust, counter shaft, rear 4.0 t		
	32228-26760.....	WASHER-thrust, counter shaft, rear 4.1 t		
	32229-26760.....	WASHER-thrust, counter shaft, rear 4.2 t		
30-16	32201-10400.....	GEAR-main drive.....	1	1
30-17	32203-26760.....	BEARING-main drive gear	1	1
30-18	32205-26760.....	WASHER-lock, main drive gear	1	1
30-19	32206-26760.....	NUT-main drive gear.....	1	1
30-20	32112-30800.....	GASKET-front cover gear box	1	1
30-21	32111-32200.....	RATAINER-main drive gear	1	1
30-22	9-15115.....	WASHER-lock	7	7
30-23	9-11145.....	NUT.....	7	7
30-24	32241-07200.....	SHAFT-main.....	1	1
30-25	32601-02700.....	HUB-synchronizer, 2nd speed.....	1	1
30-26	32602-26760.....	SPRING-synchronizer	6	6

ILL. NO.	PART NO.	PART NAME	Q'TY PER SECTION	
			SP 310	SPL 310
30-27	32603-26760.....	BALL-synchronizer	6	6
30-28	32243- 26760 ...07200	GEAR-1st speed main shaft	1	1
30-29	32604-26760.....	RING-synchronizer, 2nd speed	1	1
30-30	32246-26760.....	WASHER-thrust, main shaft, rear	1	1
30-31	32251-26761.....	GEAR-2nd speed main shaft	1	1
30-32	32252-26761.....	BUSH-2nd speed main shaft gear	1	1
30-33	32253-26760.....	WASHER-thrust, main shaft	1	1
30-34	32262-27161.....	BUSH- 3rd speed main shaft gear	1	1
30-35	32261-27161.....	GEAR-3rd speed main shaft	1	1
30-36	32264-26761.....	WASHER-thrust, main shaft, front 3.9 t	}	1
	32265-26761.....	WASHER-thrust, main shaft, front 4.0 t		
	32266-26761.....	WASHER-thrust, main shaft, front 4.1 t		
30-37	32247-26760.....	PEG-main shaft thrust washer	1	1
30-38	32248-26760.....	SPRING-locking peg	1	1
30-39	32605-02700.....	HUB-synchronizer, 3rd & 4th speed	1	1
30-40	32607-02700.....	RING-synchronizer, 3rd & 4th speed	2	2
30-41	32606-02700.....	SLEEVE-synchronizer	1	1
→ 30-42	32273-26760.....	BEARING-main shaft	1	1
30-43	32128-07200.....	PIECE-distance, main shaft	1	1
30-44	32701-10400.....	GEAR-drive, speedometer	1	1
30-45	9-27213.....	KEY-woodruff	1	1
30-46	34414-26760.....	WASHER-lock, main shaft	1	1
30-47	32142-26760.....	NUT-main shaft	1	1
30-48	32272-26760.....	ROLLER-needle, main shaft	18	18
30-49	32120-00100.....	ASS'Y-RETAINER, bearing, main shaft	1	1
30-50	32124-26760.....	PEG-locating	1	1
30-51	32130-08000.....	ASS'Y-EXTENSION, rear	1	1
30-52	32132-07200.....	BUSH-rear extension	1	1
30-53	32136-07200.....	SEAL-oil, rear extension	1	1
30-54	32706-26760.....	BUSH-speedometer pinion	1	1
30-55	38322-55100.....	ASS'Y-BREATHER	1	1
30-56	○ 32703-10400.....	ASS'Y-PINION, speedometer drive	1	1
30-57	32718-04103.....	PLUG-speedometer	1	1
30-58	32707-04100.....	ASS'Y-SLEEVE, speedometer drive pinion.....	1	1

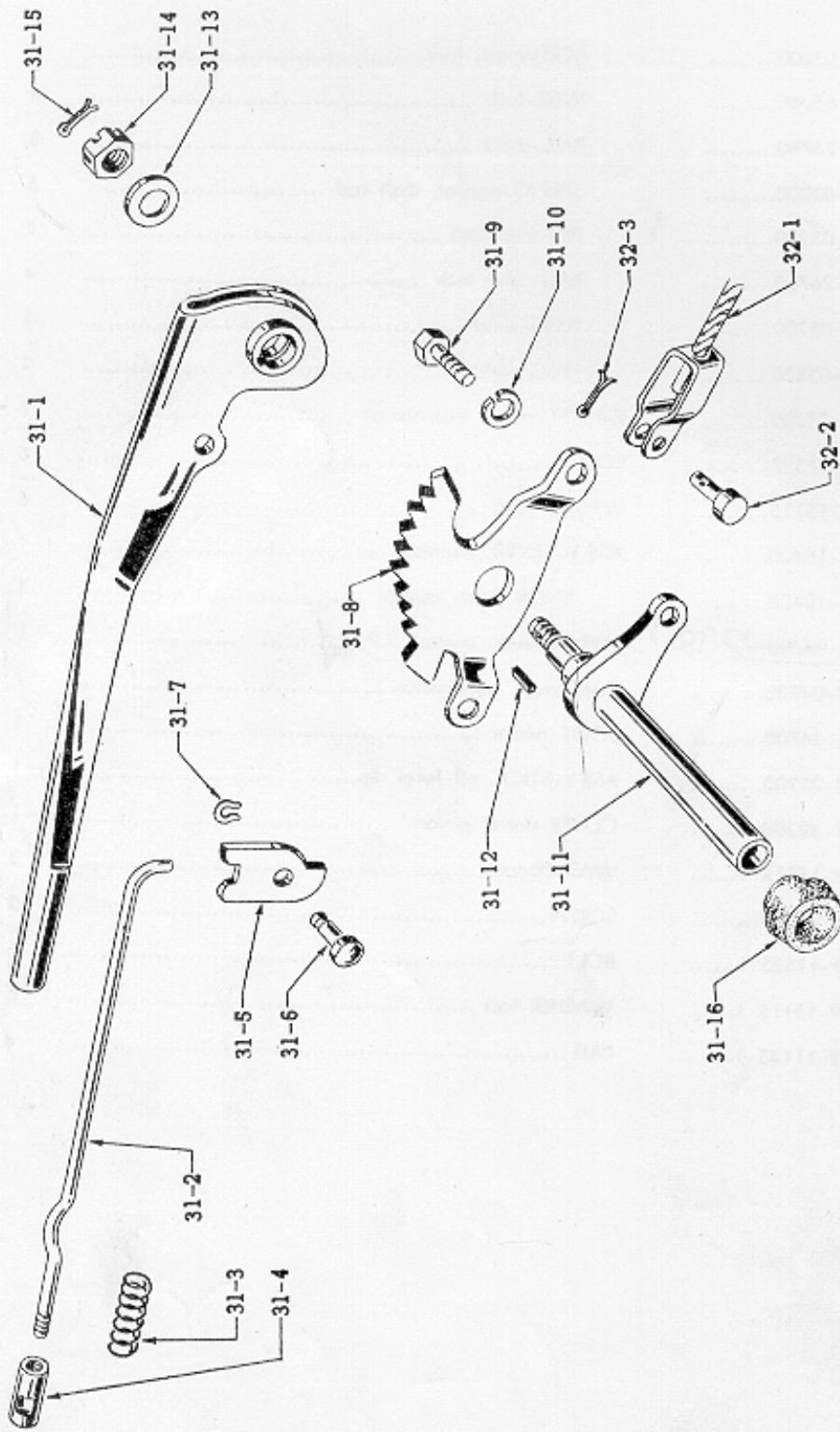
ILL. NO.	PART NO.	PART NAME	Q'TY PER SECTION	
			SP310	SPL310
30-59	32709-04100.....	RING- " O " speedometer pinion (rubber).....	1	1
30-60	32717-04100.....	RETAINER-" O " ring, pinion sleeve	1	1
30-61	32710-04100.....	RING-" O " pinion sleeve (synthetic rubber)	1	1
30-62	32134-01300.....	GASKET-rear extension	1	1
	34424-01300.....	PLATE-anchor, return spring	1	1
30-64	9-15115-1.....	WASHER-lock	8	8
30-65	1-24532-1.....	BOLT-rear extension	8	8
	o 32160-10450.....	ASS'Y-COVER, transmission	1	1
30-66	o 32162-10400.....	COVER-transmission	1	1
30-67	32891-04700.....	RING-" O " striking rod.....	1	1
30-68	32892-04700.....	ROD-striking.....	1	1
30-69	32893-04700.....	ASS'Y-LEVER, striking, rear	1	1
30-70	³² 32895 -04700.....	BUSH-striking, rear	1	1
30-71	32896-04700.....	LEVER-striking, front.....	1	1
30-72	32803-03200.....	SCREW-set, fork	2	2
30-73	32804-85060.....	WIRE-lock	2	2
30-74	32897-04700.....	PLUG-welch.....	1	1
30-75	32898-04700.....	PLUG-welch	1	1
30-76	32172-03200.....	PIN-lock	2	2
30-77	32849-04700.....	PIN-pivot, control lever	2	2
30-78	32801-03200.....	ROD-fork, 1st & 2nd speed	1	1
30-79	<u>32805-03200</u>	FORK-1st & 2nd speed	1	1
30-80	32814-03200.....	SHIM-stopper, adjusting shaft rod 0.5 t.....	0~1	0~1
30-81	32814-03201.....	SHIM-stopper, adjusting shaft rod 1.0 t.....	0~2	0~2
30-82	32816-03200.....	ROD-fork, reverse	1	1
30-83	32819-03200.....	FORK-reverse	1	1
30-84	32823-03200.....	PIN-fork reverse	1	1
30-85	9-21118.....	PIN-cotter	1	1
30-86	32824-03200.....	SPRING-pin, reverse fork	1	1
30-87	32809-03200.....	ROD-fork 3rd & 4th speed	1	1
30-88	32811-03200.....	FORK-3rd & 4th speed	1	1
30-89	32813-03200.....	BRACKET-3rd & 4th speed	1	1
30-90	32828-26760.....	BALL-inter lock	1	1
30-91	32825-26761.....	SPRING-poppet pin reverse	1	1

ILL. NO.	PART NO.	PART NAME	Q'TY PER SECTION	
			SP 310	SPL 310
30-92	32803-03200.....	SCREW-set, fork.....	4	4
30-93	32804-85060.....	WIRE-lock.....	4	4
30-94	32829-26760.....	BALL-check.....	3	3
30-95	32830-03200.....	SPRING-poppet, shaft rod.....	3	3
30-96	32826-03200.....	PIN-inter lock.....	1	1
30-97	32827-26760.....	BALL-inter lock.....	4	4
30-98	32167-03200.....	PLUG-welch.....	1	1
30-99	32168-03200.....	PLUG-welch.....	2	2
30-100	32169-03200.....	GASKET-cover, transmission.....	1	1
30-101	1-11522.....	BOLT.....	6	6
30-102	9-15115.....	WASHER-lock.....	6	6
30-103	32841-10400.....	ASS'Y-LEVER, control.....	1	1
30-104	32865-10400.....	KNOB-lever, control.....	1	1
30-105	32850-04700 12900.....	SPRING-lever, control 2.9 ϕ	1	1
30-106	32852-04700.....	CAP-cover, transmission.....	1	1
30-107	32853-04700.....	BOOT-rubber.....	1	1
30-108	32150-03200.....	ASS'Y-STICK, oil level dip.....	1	1
30-109	30413-32200.....	COVER-starter pinion.....	1	1
30-110	9-15114-1.....	WASHER-lock.....	3	3
30-111	30414-00100.....	SCREW.....	3	3
30-112	1-11525-1.....	BOLT.....	6	6
30-113	9-15115-1.....	WASHER-lock.....	6	6
30-114	9-11145-1.....	NUT.....	6	6

36010-10400

HAND BRAKE CONTROL

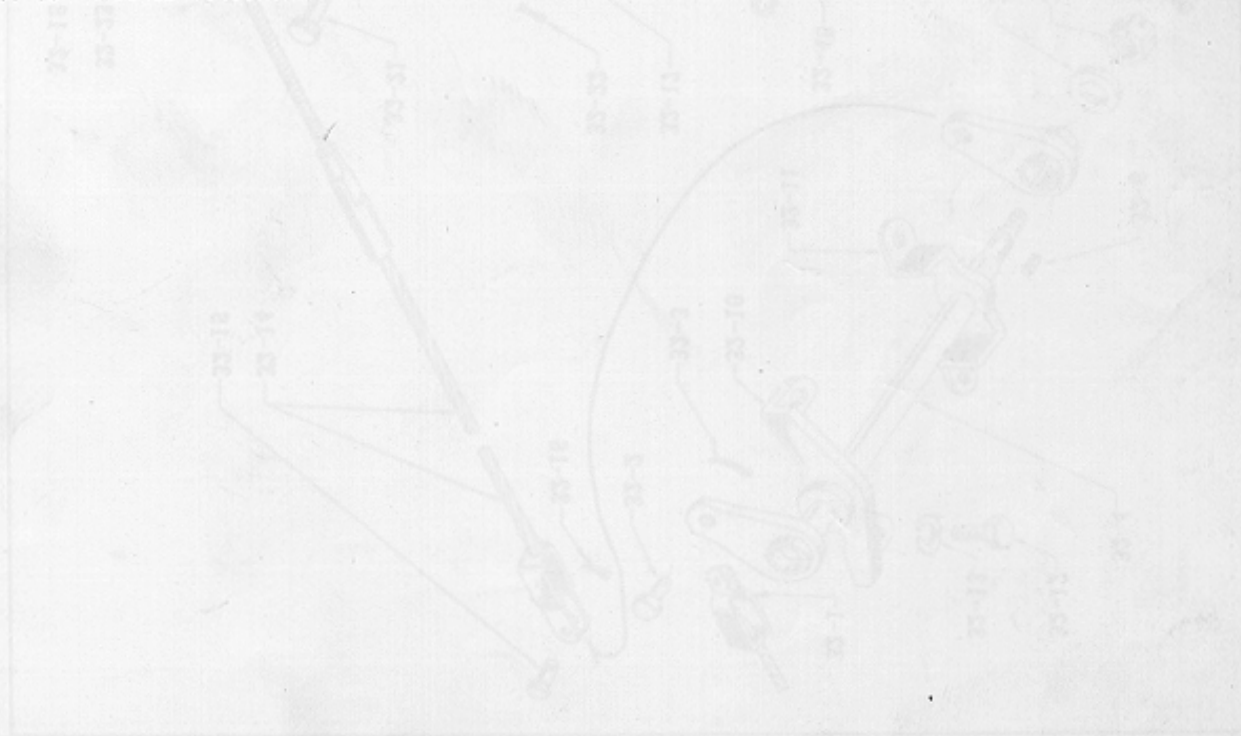
Fig. 31



ILL. NO.	PART NO.	PART NAME	Q'TY PER SECTION	
			SP310	SPL310

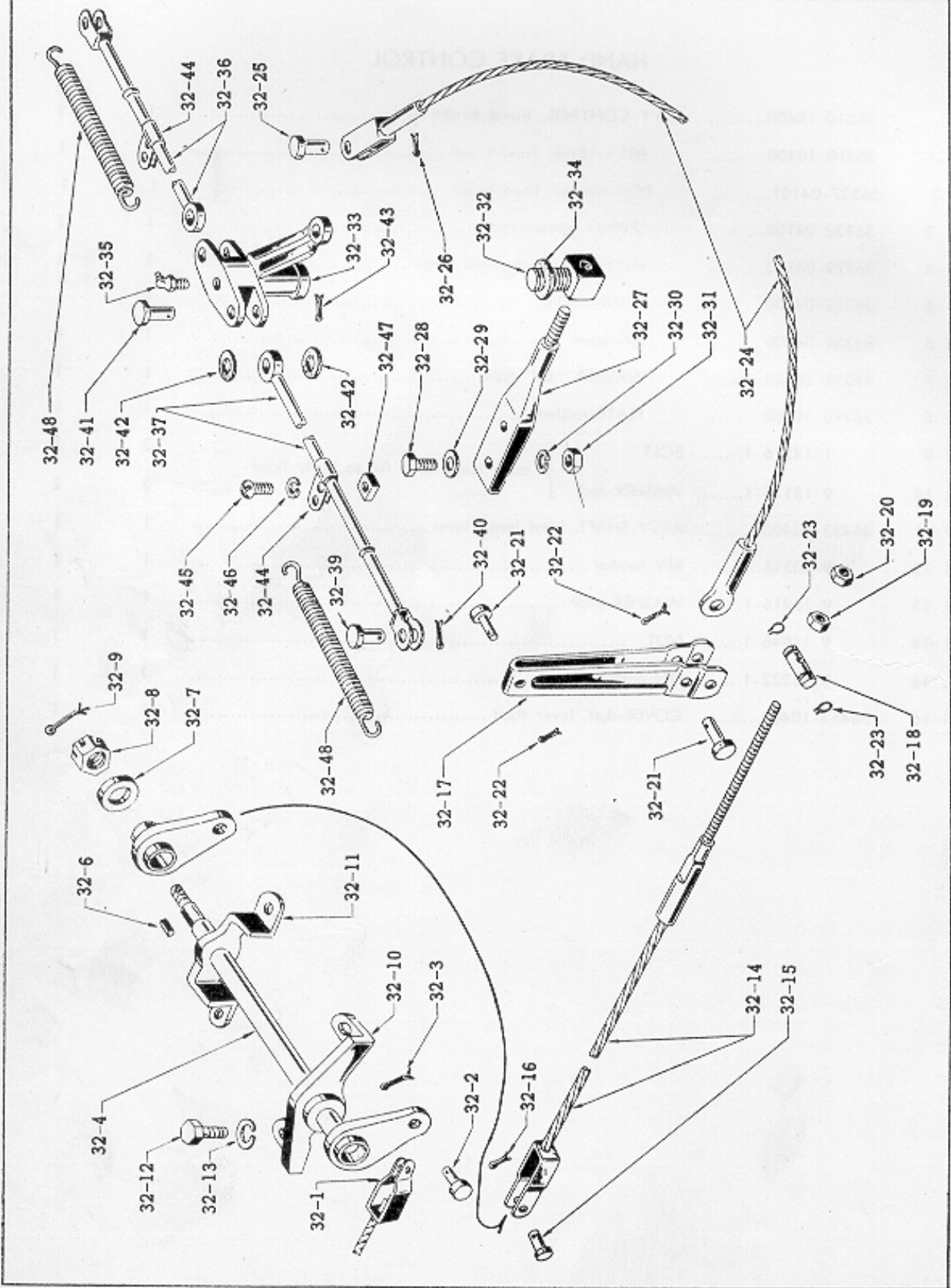
HAND BRAKE CONTROL

	36010-10400.....	ASS'Y-CONTROL, hand brake	1	1	
31-1	36310-10400.....	ASS'Y-LEVER, hand brake	1	1	
31-2	36327-04101.....	ROD-release, hand brake	1	1	
31-3	36330-04100.....	SPRING-release rod	1	1	
31-4	36329-04100.....	BUTTON-release, hand brake.....	1	1	
31-5	36332-04100.....	PAWL-ratchet	1	1	
31-6	36339-04100.....	PIN-pawl	1	1	
31-7	41058-10360.....	WASHER-"C" type	1	1	
31-8	36320-10400.....	PLATE-ratchet	1	1	
31-9	1-14516-1.....	BOLT	} ass'y hand lever fix to body floor	2	2
31-10	9-15115-1.....	WASHER-lock		2	2
31-11	36433-10400.....	ASS'Y-SHAFT, hand brake lever.....	1	1	
31-12	9-28316.....	KEY-feather	1	1	
31-13	9-15416-1.....	WASHER-plain.....	1	1	
31-14	9-11946-1.....	NUT	1	1	
31-15	9-21222-1.....	PIN-cotter	1	1	
31-16	36463-10400.....	COVER-dust, lever shaft	1	1	



HAND BRAKE LINKAGE

Fig. 32



36450-16900

ILL. NO.	PART NO.	PART NAME	Q'TY PER SECTION	
			SP310	SPL310

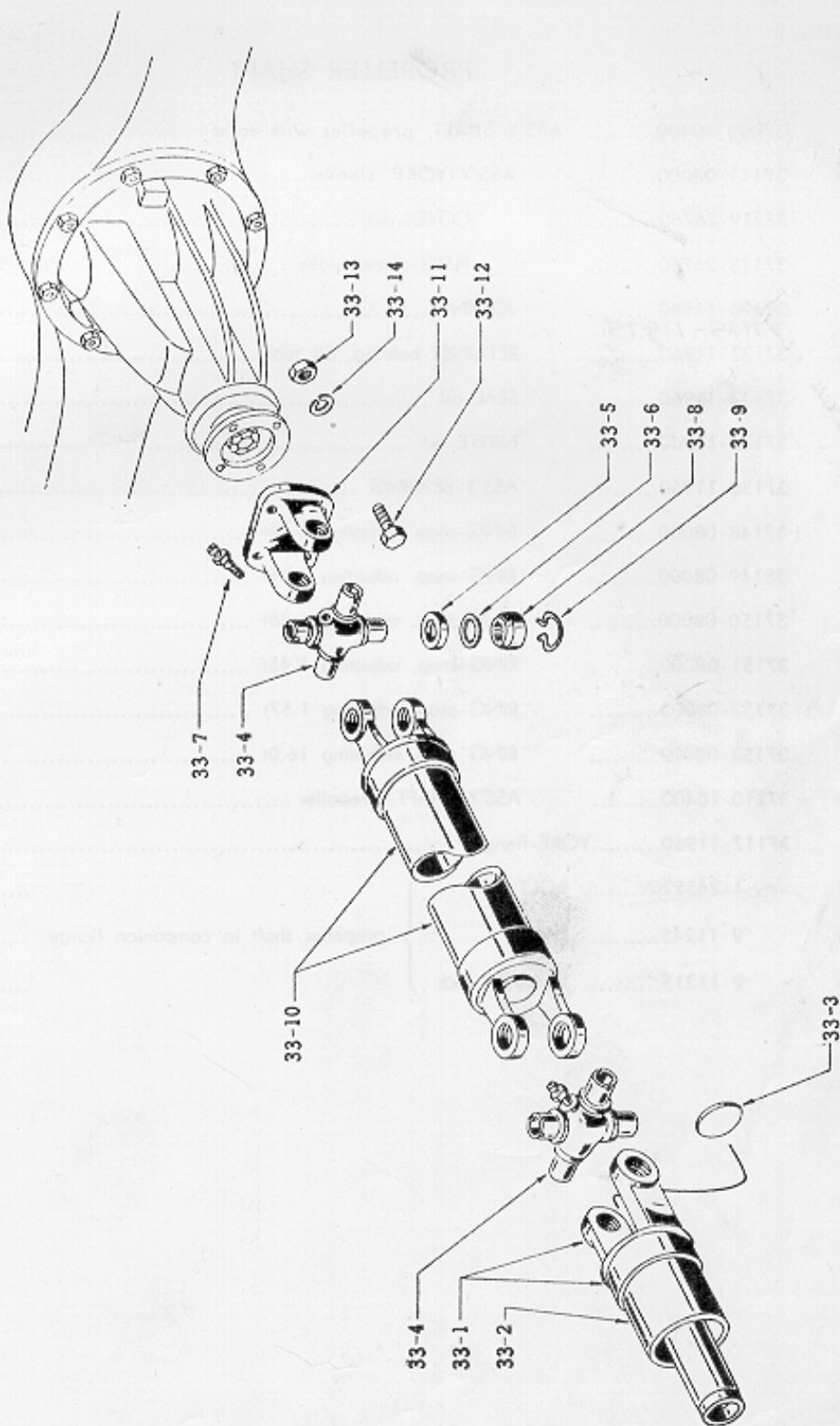
HAND BRAKE LINKAGE

32-1	36402-10400.....	ASS'Y-CABLE, hand brake, front.....	1	1
32-2	36428-04100.....	PIN-clevis }	2	2
32-3	9-21118-1.....	PIN-cotter } lever shaft arm to front cable & idler shaft arm to front cable	2	2
32-4	36550-10401.....	ASS'Y-SHAFT, idler, hand brake.....	1	1
32-6	9-28316-1.....	KEY-feather	1	1
32-7	9-15416-1.....	WASHER-plain.....	1	1
32-8	9-11746-1.....	NUT	1	1
32-9	9-21222-1.....	PIN-cotter	1	1
32-10	36342-04100.....	BRACKET-hand brake lever shaft	1	1
32-11	36385-10400.....	BRACKET-idler shaft, hand brake	1	1
32-12	1-24518-1.....	BOLT	4	4
32-13	9-15115.....	WASHER-lock	4	4
32-14	36450-10400.....	ASS'Y-CABLE, hand brake, middle	1	1
32-15	36428-04100.....	PIN-clevis }	1	1
32-16	9-21118-1.....	PIN-cotter } middle cable to idler shaft	1	1
32-17	36510-04100.....	ASS'Y-ARM, swing, hand brake	1	1
32-18	36425-04100.....	PIN-swing arm, hand brake.....	1	1
32-19	36437-04100.....	NUT-cable, hand brake	1	1
32-20	9-11344-1.....	NUT-lock.....	1	1
32-21	36541-30000.....	PIN-clevis }	2	2
32-22	9-21018.....	PIN-cotter } swing arm to bracket & swing arm to rear cable	2	2
32-23	36471-04100.....	RING-snap, hand brake	2	2
32-24	36451-10400.....	ASS'Y-CABLE, hand brake, rear	1	1
32-25	36541-30000.....	PIN-clevis }	1	1
32-26	9-21018.....	PIN-cotter } rear cable to balance lever	1	1
32-27	36510-30000.....	COMPLETE-SUPPORT, brake balance lever	1	1
32-28	1-24520-1.....	BOLT	2	2
32-29	9-15415-1.....	WASHER-plain.....	2	2
32-30	9-15215.....	WASHER-lock	2	2
32-31	9-11145-1.....	NUT.....	2	2

ILL. NO.	PART NO.	PART NAME	Q'TY PER SECTION	
			SP 310	SPL 310
32-32	36514-04100.....	CARRIER-balance lever brake	1	1
32-33	36518-30000.....	LEVER-balance, hand brake	1	1
32-34	36523-30000.....	RING-felt, balance lever.....	1	1
32-35	9-32302.....	NIPPLE-grease	1	1
32-36	36530-04100.....	ROD-cross, hand brake, short	1	1
32-37	36531-04100.....	ROD-cross, hand brake, long	1	1
	36537-30000.....	FERRULE-cross rod	1	1
32-39	36541-30000.....	PIN-clevis }	2	2
32-40	9-21018.....	PIN-cotter } cross rod to rear with cylinder	2	2
32-41	36538-30000.....	PIN-clevis }	2	2
32-42	36543-30000.....	FELT-ring } balance lever to cross rod	4	4
32-43	9-21018.....	PIN-cotter	2	2
32-44	36544-30000.....	BRACKET-hanger cross rod pull off spring.....	2	2
32-45	3-14010-1.....	SCREW	2	2
32-46	9-15110.....	WASHER-lock } hanger bracket to cross rod	2	2
32-47	9-13140-1.....	NUT-square }	2	2
32-48	36545-30000.....	SPRING-pull off cross rod	2	2

PROPELLER SHAFT

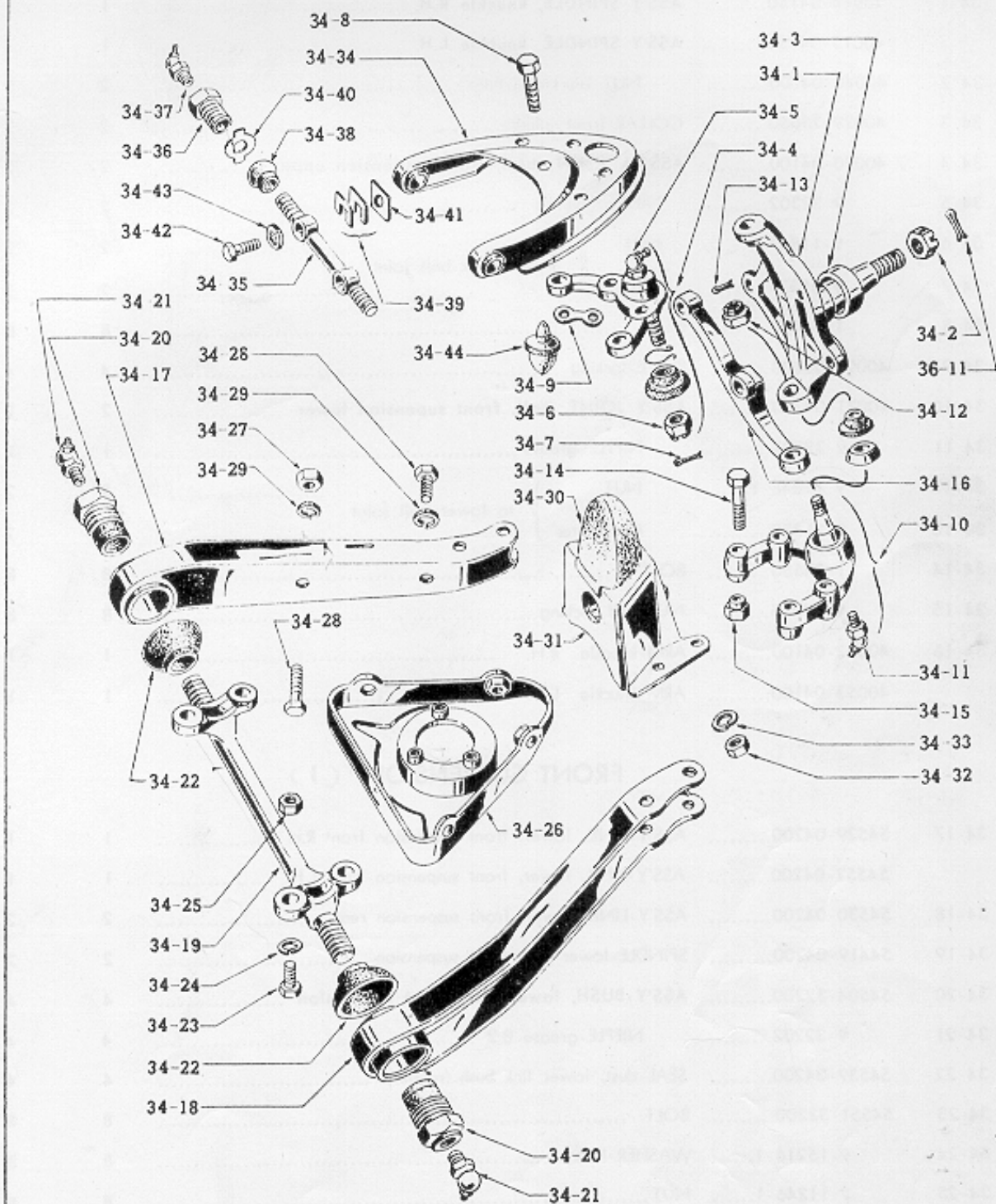
Fig. 33



ILL. NO.	PART NO.	PART NAME	Q'TY PER SECTION	
			SP310	SPL310
PROPELLER SHAFT				
	37000-10400.....	ASS'Y-SHAFT, propeller with joint	1	1
33-1	37111-08000.....	ASS'Y-YOKE, sleeve	1	1
33-2	37219-26760.....	COVER-dust	1	1
33-3	37113-26760.....	PLUG-sleeve yoke	1	1
33-4	37126-11960	JOURNAL.....	2	2
	37125-11975			
33-5	37133-11960.....	RETAINER-bearing, oil seal.....	8	8
33-6	37134-11960.....	SEAL-oil	8	8
33-7	37138-11960.....	NIPPIE-oil	2	2
33-8	37130-11960.....	ASS'Y-BEARING	8	8
33-9	37148-08000.....	RING-snap, adjusting 1.54t	8	8
	38149-08000.....	RING-snap, adjusting 1.51t		
	37150-08000.....	RING-snap, adjusting 1.48t		
	37151-08000.....	RING-snap, adjusting 1.45t		
	37152-08000.....	RING-snap, adjusting 1.57t		
	37153-08000.....	RING-snap, adjusting 16.0t		
33-10	37210-10400.....	ASS'Y-SHAFT, propeller	1	1
33-11	37117-11960.....	YOKE-flange	1	1
33-12	1-24522a	BOLT	4	4
33-13	9-11245.....	NUT		
33-14	9-11215.....	WASHER-lock } propeller shaft to companion flange		
			4	4

FRONT SUSPENSION

Fig. 34



ILL. NO.	PART NO.	PART NAME	Q'TY PER SECTION	
			SP310	SPL310

SWIVEL AXLE

34-1	40014-04150.....	ASS'Y SPINDLE, knuckle R.H.	1	1
	40015-04150.....	ASS'Y SPINDLE, knuckle L.H.	1	1
34-2	40040-04100.....	NUT knuckle spindle	2	2
34-3	40029-25660.....	COLLAR front spindle	2	2
34-4	40070-04100.....	ASS'YA JOINT, ball, front suspension upper	2	2
34-5	9-32302.....	NIPPLE-grease	2	2
34-6	9-11847-1.....	NUT } to upper ball joint	2	2
34-7	9-21325.....	PIN-cotter }	2	2
34-8	1-24516-1.....	BOLT	8	8
34-9	40091-08000.....	PLATE-locking	4	4
34-10	40071-04200.....	ASS'Y JOINT, ball, front suspension lower	2	2
34-11	9-32202.....	NIPPLE-grease	1	1
34-12	9-11848-1.....	NUT } to lower ball joint	2	2
34-13	9-21330.....	PIN-cotter }	2	2
34-14	1-24550.....	BOLT	8	8
34-15	9-12445.....	NUT-self locking.....	8	8
34-16	40052-04100.....	ARM-knuckle R.H.	1	1
	40053-04100.....	ARM-knuckle L.H.	1	1

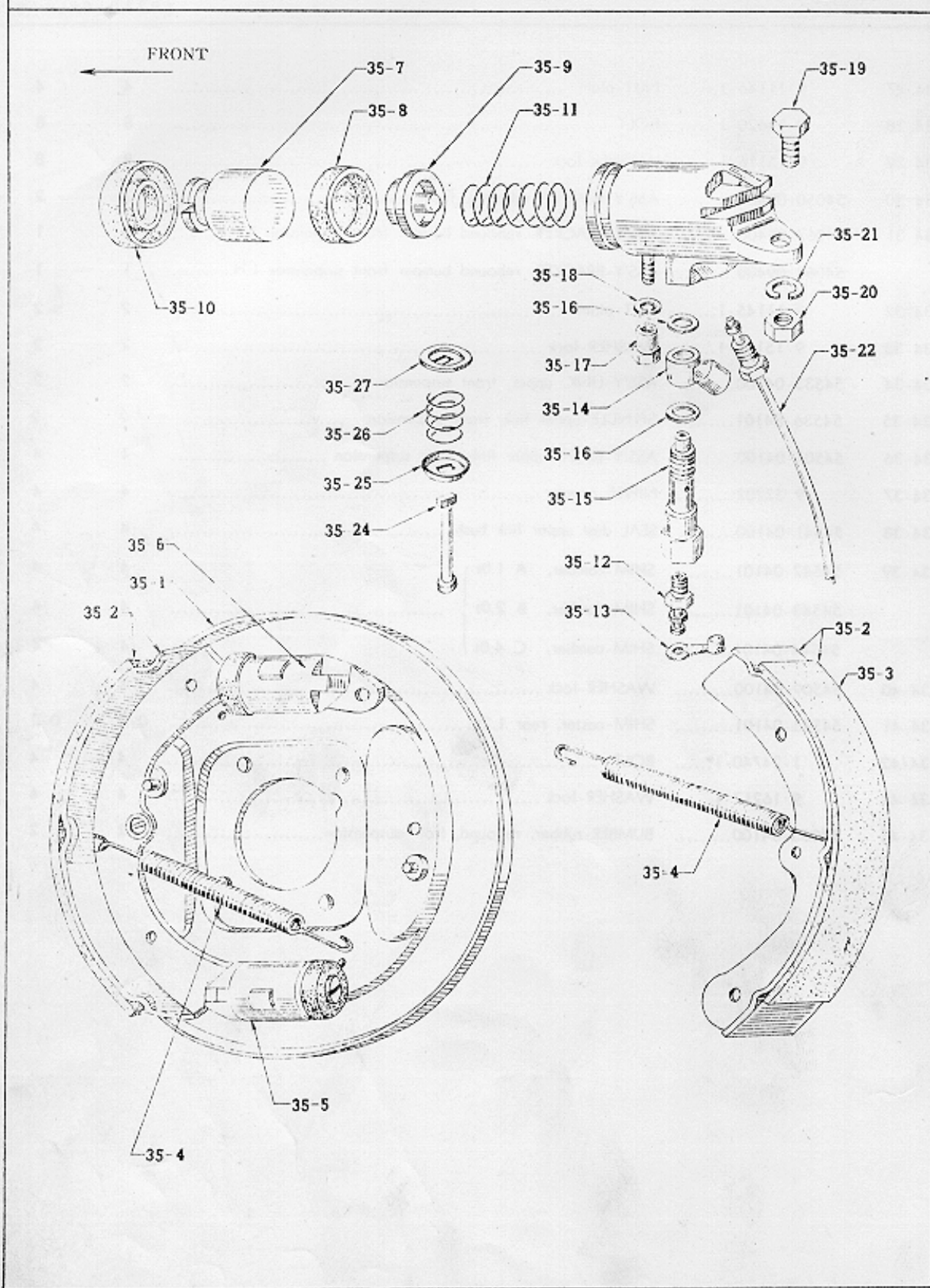
FRONT SUSPENSION (I)

34-17	54529-04200.....	ASS'Y-LINK, lower, front suspension front R.H.	1	1
	54552-04200.....	ASS'Y-LINK, lower, front suspension front L.H.	1	1
34-18	54530-04200.....	ASS'Y-LINK, lower, front suspension rear	2	2
34-19	54419-04200.....	SPINDLE-lower link, front suspension	2	2
34-20	54504-32200.....	ASS'Y-BUSH, lower link, front suspension	4	4
34-21	9-32202.....	NIPPLE-grease B 2	4	4
34-22	54539-04200.....	SEAL-dust, lower link bush (rubber)	4	4
34-23	54551-32200.....	BOLT	8	8
34-24	9-15216-1.....	WASHER-lock	8	8
34-25	9-11246-1.....	NUT	8	8
34-26	54030-04200.....	ASS'Y-SEAT, front spring, lower R.H.	1	1
	54033-04200.....	ASS'Y-SEAT, front spring lower L.H.	1	1

ILL. NO.	PART NO.	PART NAME	QTY PER SECTION	
			SP310	SPL310
34-27	9-11146-1.....	NUT-plain	4	4
34-28	9-14620-1.....	BOLT	8	8
34-29	9-15116-1.....	WASHER-lock	8	8
34-30	54050-09400.....	ASS'Y-BUMPER, rebound, front suspension	2	2
34-31	54067-09400.....	ASS'Y-BRACKET, rebound bumper front suspension R.H.	1	1
	54068-09400.....	ASS'Y-BRACKET, rebound bumper front suspension L.H.	1	1
34-32	9-11145-1.....	NUT-plain	2	2
34-33	9-15115-1.....	WASHER-lock	2	2
34-34	54533-04100.....	ASS'Y-LINK, upper, front suspension	2	2
34-35	54536-04101.....	SPLINDLE-upper link, front suspension	2	2
34-36	54507-04100.....	ASS'Y-BUSH, upper link, front suspension	4	4
34-37	9-32202.....	NIPPLE-grease	4	4
34-38	54541-04100.....	SEAL-dust upper link bush	4	4
34-39	54542-04101.....	SHIM-camber, A 1.0t	4	4
	54543-04101.....	SHIM-camber, B 2.0t	4	4
	54544-04101.....	SHIM-camber, C 4.0t	4	4
34-40	54509-04100.....	WASHER-lock	4	4
34-41	54546-04101.....	SHIM-caster, rear 1.2t	0-2	0-2
34-42	1-24740-1?.....	BOLT	4	4
34-43	9-16217-1.....	WASHER-lock	4	4
34-44	54053-04100.....	BUMBER-rubber, rebound, front suspension.....	2	2

FRONT BRAKE

Fig. 35



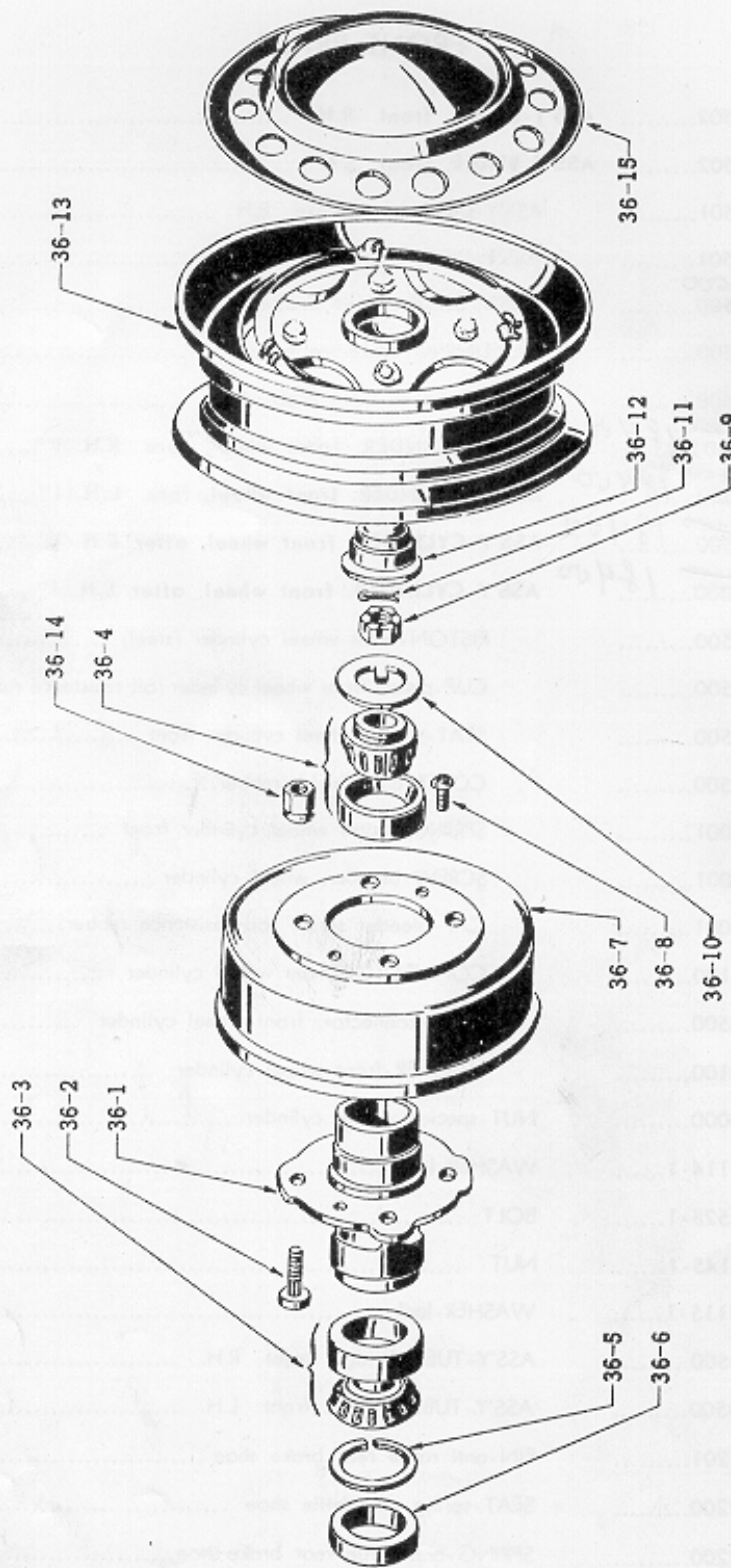
ILL. NO.	PART NO.	PART NAME	Q'TY PER SECTION	
			SP310	SPL310

FRONT BRAKE

	41000-10502.....	ASS'Y-BRAKE, front R.H.	1	1
	41010-10502.....	ASS'Y-BRAKE, front L.H.	1	1
35-1	41020-10501.....	ASS'Y-DISC, front brake R.H.	1	1
	41030-10501.....	ASS'Y-DISC, front brake L.H.	1	1
35-2	41060- ¹⁶⁵⁰⁰ 10500.....	ASS'Y-SHOE, front brake	4	4
35-3	41066-10500.....	LINING-brake (resin mould)	4	4
35-4	41090-10600.....	SPRING-return, front brake shoe	4	4
35-5	41100- ¹⁰¹⁰⁰ 10500..... ¹⁸⁴⁰⁰	ASS'Y-CYLINDER, front wheel, fore R.H. (1").....	1	1
	41102- ¹⁰⁶⁰⁰ 10500..... ¹⁸⁴⁰⁰	ASS'Y-CYLINDER, front wheel, fore L.H. (1").....	1	1
35-6	41101- ¹⁰⁶⁰⁰ 10500..... ¹⁸⁴⁰⁰	ASS'Y-CYLINDER, front wheel, after R.H. (1").....	1	1
	41103- ¹⁰⁶⁰⁰ 10500..... ¹⁸⁴⁰⁰	ASS'Y-CYLINDER, front wheel, after L.H. (1").....	1	1
35-7	41110-10500.....	PISTON-front wheel cylinder (steel)	4	4
35-8	41114-10500.....	CUP-piston front wheel cylinder (oil resistance rubber)	4	4
35-9	41116-10500.....	SEAT-spring wheel cylinder front	4	4
35-10	41123-10500.....	COVER-dust shield (rubber).....	4	4
35-11	41125-30001.....	SPRING-piston wheel cylinder front	4	4
35-12	41128-30001.....	SCREW-bleeder, wheel cylinder	4	4
35-13	41129-30001.....	CAP-bleeder screw (oil resistance rubber).....	4	4
35-14	41130-04100.....	CONNECTOR-front wheel cylinder	2	2
35-15	41131-10500.....	BOLT-connector, front wheel cylinder	2	2
35-16	41158-04100.....	WASHER-front wheel cylinder	4	4
35-17	41157-30000.....	NUT-special, wheel cylinder	4	4
35-18	9-15114-1.....	WASHER-lock	4	4
35-19	1-14525-1.....	BOLT	4	4
35-20	9-11145-1.....	NUT	4	4
35-21	9-15115-1.....	WASHER-lock	4	4
35-22	41140-10500.....	ASS'Y-TUBE, bridge, front R.H.	1	1
	41141-10500.....	ASS'Y-TUBE, bridge, front L.H.	1	1
35-24	44081-32201.....	PIN-anti rattle rear brake shoe	4	4
35-25	44082-32200.....	SEAT-spring anti rattle shoe	4	4
35-26	44083-32200.....	SPRING-anti rattle rear brake shoe.....	4	4
35-27	44084-32201.....	RETAINER-spring, anti rattle shoe	4	4

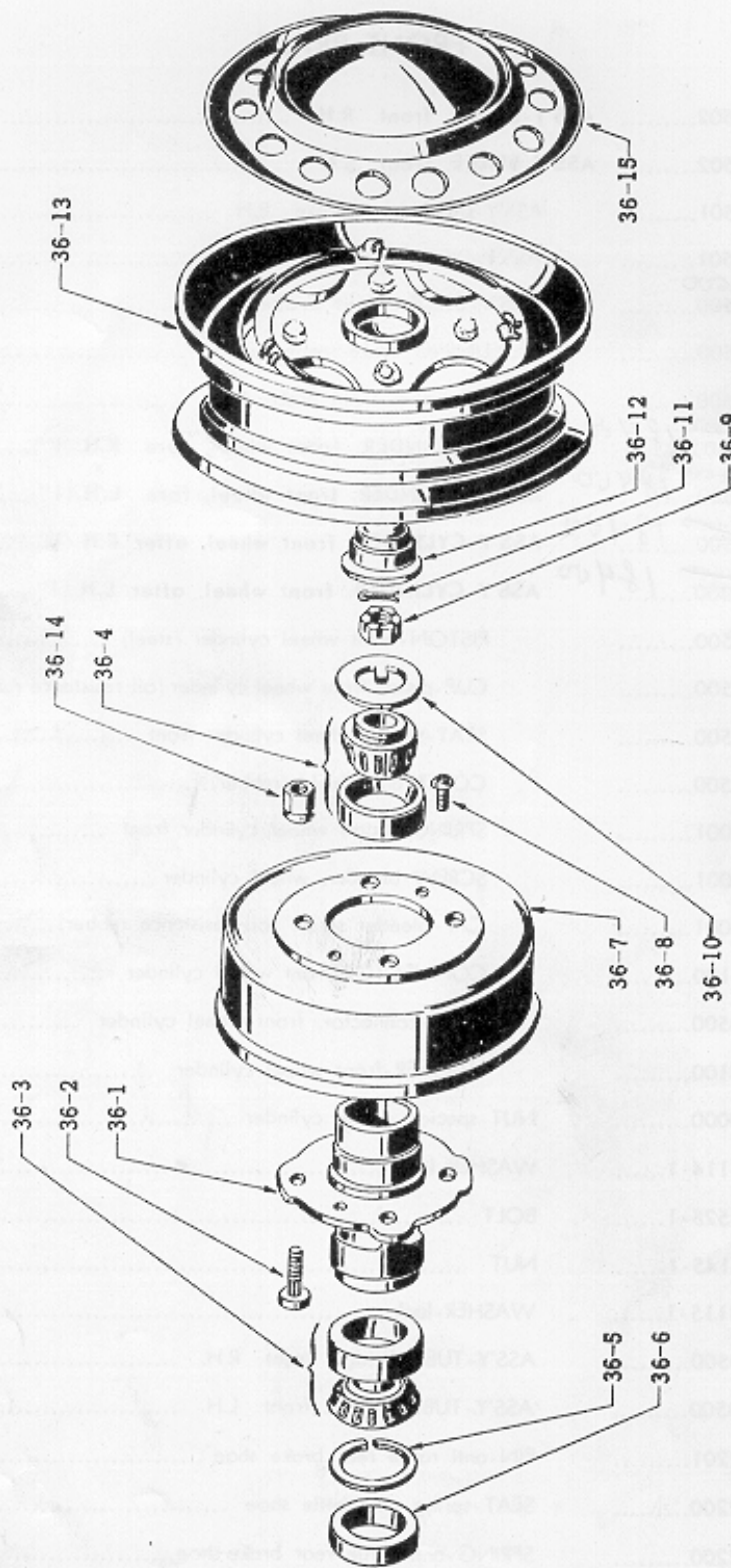
FRONT DRUM & WHEEL

Fig. 36



FRONT DRUM & WHEEL

Fig. 36



ILL. NO.	PART NO.	PART NAME	Q'TY PER SECTION	
			SP310	SPL310

FRONT HUB & DRUM

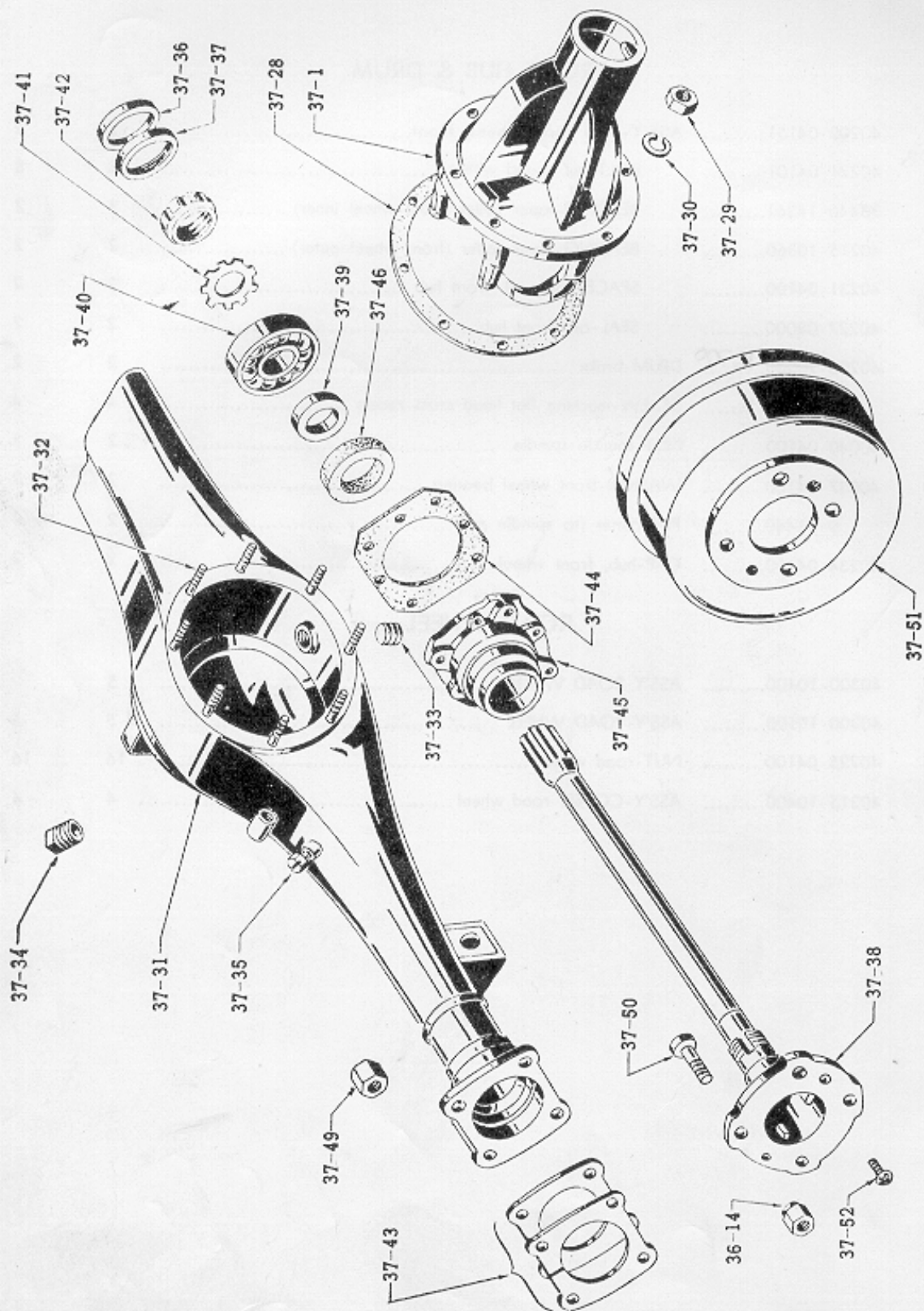
36-1	40202-04151.....	ASS'Y-HUB road wheel, front.....	2	2
36-2	40221-04101.....	BOLT-hub, road wheel	8	8
36-3	38440-14361.....	BEARING-taper roller (front wheel inner)	2	2
36-4	40215-10360.....	BEARING-taper roller (front wheel outer)	2	2
36-5	40231-04100.....	SPACER-oil seal, front hub	2	2
36-6	40227-08000.....	SEAL-oil, front hub	2	2
36-7	40206-10500-16700	DRUM-brake	2	2
36-8	3-24414-1.....	SCREW-machine flat head cross recess	4	4
36-9	40040-04100.....	NUT-knuckle spindle	2	2
36-10	40037-04100.....	WASHER-front wheel bearing.....	2	2
36-11	9-21440.....	PIN-cotter (to spindle nut)	2	2
36-12	40234-04100.....	CAP-hub, front wheel	2	2

ROAD WHEEL

36-13	40300-10400.....	ASS'Y-ROAD WHEEL	5	-
	40300-10500.....	ASS'Y-ROAD WHEEL	U-5	5
36-14	40225-04100.....	NUT-road wheel	16	16
36-15	40315-10400.....	ASS'Y-COVER, road wheel	4	4

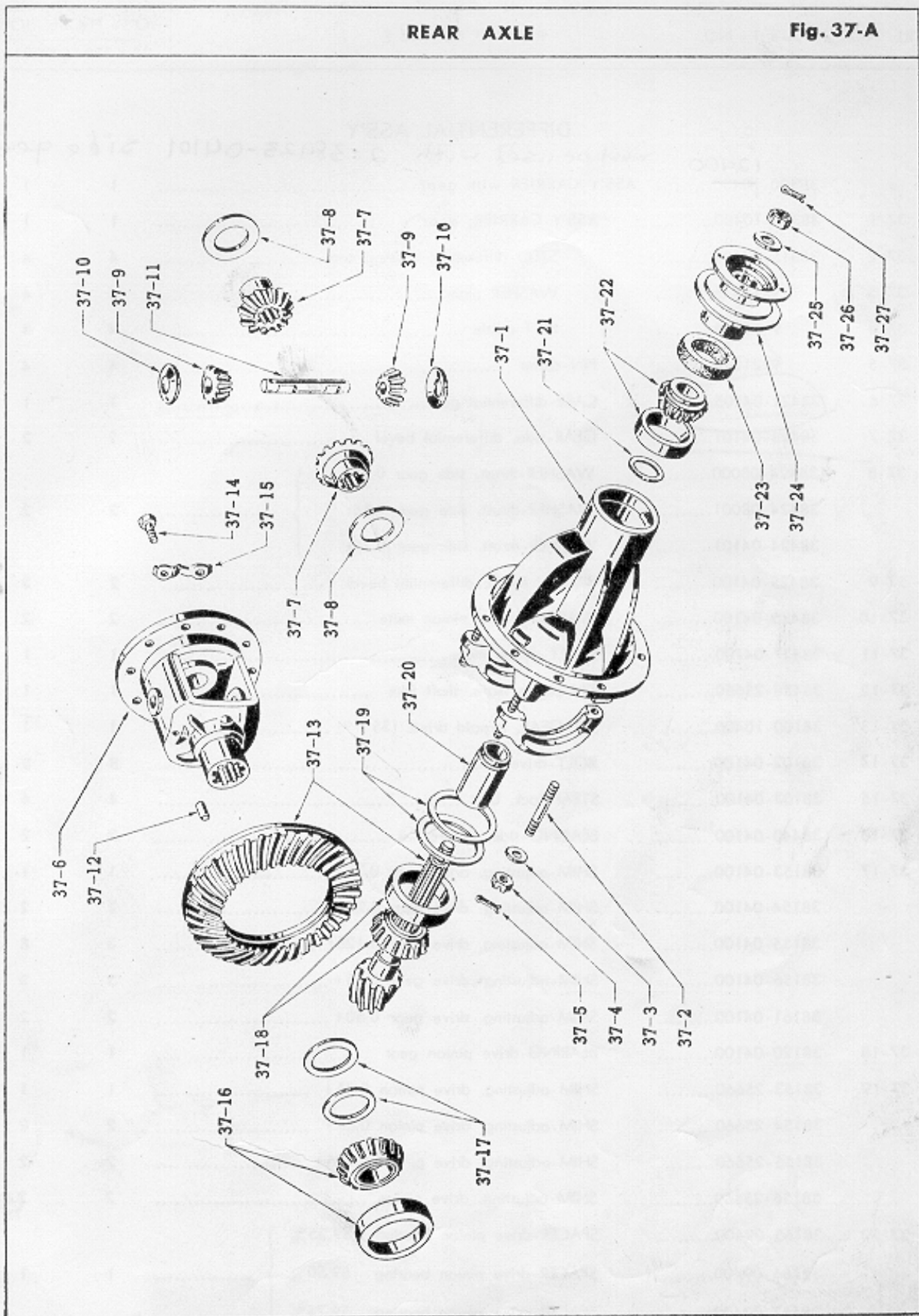
REAR AXLE

Fig. 37



REAR AXLE

Fig. 37-A



Please note; The DSSY-CARRIER with gear, is available now
 is for A(W)PL410. Two modifications to use it are listed
 below.

NISSAN MOTOR CO., LTD.

ILL. NO.	PART NO.	PART NAME	Q'TY PER SECTION	
			SP310	SPL310

DIFFERENTIAL ASS'Y

ILL. NO.	PART NO.	PART NAME	Q'TY PER SECTION	Q'TY PER SECTION
			SP310	SPL310
		12400 must be used with 2-38423-04101 side gear		
	10400	ASS'Y-CARRIER with gear	1	1
37-1	38310-10400	ASS'Y-CARRIER, gear	1	1
37-2	38315-04100	STUD-differential bearing cap	4	4
37-3	9-15416	WASHER-plain	4	4
37-4	9-11846	NUT-castle	4	4
37-5	9-21218	PIN-cotter	4	4
37-6	38421-04105	CASE-differential gear	1	1
37-7	38423-04101	GEAR-side, differential bevel	2	2
37-8	38424-08000	WASHER-thrust, side gear 0.83t	}	}
	38424-08001	WASHER-thrust, side gear 0.88t		
	38424-04101	WASHER-thrust, side gear 0.79t		
37-9	38425-04100	PINION MATE-differential bevel	2	2
37-10	38426-04100	WASHER-thrust, pinion mate	2	2
37-11	38427-04100	SHAFT-pinion mate	1	1
37-12	38428-25660	PIN-pinion mate, shaft lock	1	1
37-13	38100-10400	SET-GEAR, hypoid drive, (35 : 9)	1	1
37-14	38102-04100	BOLT-drive gear	8	8
37-15	38103-04100	STRAP-lock, bolt	4	4
37-16	38440-04100	BEARING-side, differential	2	2
37-17	38153-04100	SHIM-adjusting, drive gear 0.75 t	1	1
	38154-04100	SHIM-adjusting, drive gear 0.25 t	2	2
	38155-04100	SHIM-adjusting, drive gear 0.125t	3	3
	38156-04100	SHIM-adjusting, drive gear 0.75 t	3	3
	38161-04100	SHIM-adjusting, drive gear 0.50 t	2	2
37-18	38120-04100	BEARING-drive pinion gear	1	1
37-19	38153-25660	SHIM-adjusting, drive pinion 0.75 t	1	1
	38154-25660	SHIM-adjusting, drive pinion 0.25 t	2	2
	38155-25660	SHIM-adjusting, drive pinion 0.125 t	2	2
	38156-25660	SHIM-adjusting, drive pinion	2	2
37-20	38165-09400	SPACER-drive pinion bearing 59.25%	}	}
	38166-09400	SPACER-drive pinion bearing 59.50%		
	38167-09400	SPACER-drive pinion bearing 59.75%		

ILL. NO.	PART NO.	PART NAME	Q'TY PER SECTION	
			SP310	SPL310
37-21	38127-09400.....	WASHER-adjusting, drive pinion bearing 2.59t	}	}
	38128-09400.....	WASHER-adjusting, drive pinion bearing 2.57t		
	38129-09400.....	WASHER-adjusting, drive pinion bearing 2.55t		
	38130-09400.....	WASHER-adjusting, drive pinion bearing 2.53t		
	38131-09400.....	WASHER-adjusting, drive pinion bearing 2.51t		
	38132-09400.....	WASHER-adjusting, drive pinion bearing 2.49t		
	38133-09400.....	WASHER-adjusting, drive pinion bearing 2.47t		
	38134-09400.....	WASHER-adjusting, drive pinion bearing 2.45t		
	38135-09400.....	WASHER-adjusting, drive pinion bearing 2.43t		
	38136-09400.....	WASHER-adjusting, drive pinion bearing 2.41t		
	38137-09400.....	WASHER-adjusting, drive pinion bearing 2.39t		
	38138-09400.....	WASHER-adjusting, drive pinion bearing 2.37t		
	38139-09400.....	WASHER-adjusting, drive pinion bearing 2.35t		
	38140-09400.....	WASHER-adjusting, drive pinion bearing 2.33t		
	38141-09400.....	WASHER-adjusting, drive pinion bearing 2.31t		
37-22	38140-04100.....	BEARING-drive pinion, front	1	1
37-23	38189-02701.....	SEAL-oil drive pinion	1	1
37-24	38210-09400.....	ASS'Y-FLANGE, companion	1	1
37-25	38215-01300.....	WASHER-plain.....	1	1
37-26	38216-01300.....	NUT-castle	1	1
37-27	9-21430.....	PIN-cotter	1	1
37-28	38320-04100.....	GASKET-gear carrier	1	1
37-29	9-11145.....	NUT-plain	8	8
37-30	9-15115.....	WASHER-lock	8	8

REAR AXLE CASE & SHAFT

37-31	43010-10400.....	COMPLETE CASE, rear axle	1	1
37-32	43067-30000.....	STUD-gear carrier	8	8
37-33	43027-04100.....	ASS'Y-PLUG, drain	1	1
37-34	9-32112.....	PLUG-taper	1	1
37-35	38322-55100.....	ASS'Y-BREATHER	1	1
37-36	42068-04101.....	SPACER-oil seal, rear axle.....	1	1

ILL. NO.	PART NO.	PART NAME	Q'TY PER SECTION	
			SP 310	SPL 310
37-37	38212-04101.....	SEAL-oil, rear axle shaft	2	2
37-38	38164-08000.....	SHAFT-rear axle	2	2
37-39	43070-04101.....	SPACER-rear axle bearing	2	2
37-40	43215-08000.....	BEARING-rear axle	2	2
37-41	43069-04101.....	WASHER-lock, rear axle bearing	2	2
37-42	43084-04101.....	NUT-lock, rear axle bearing	2	2
37-43	43036-04100.....	SHIM-rear axle case end 0.75t or 0.8t.	0~4	0~4
37-44	43239-04100.....	PACKING-grease clutch (vellumoid)	2	2
37-45	43234-04101.....	ASS'Y-CATCHER, grease rear axle bearing R.H.....	1	1
	43235-04101.....	ASS'Y-CATCHER, grease rear axle bearing L.H.	1	1
37-46	43223-04101.....	SEAL-grease, rear axle bearing	2	2
	43233-04100.....	PLATE-locking, brake disc fixing bolt.....	4	4
	43083-04101.....	BOLT-fixing, rear brake disc	8	8
37-49	9-12445-1.....	NUT.....	8	8

REAR HUB & DRUM

37-50	40221-04101.....	BOLT-hub, road wheel	8	8
37-51	40206-10500.....	DRUM-brake	2	2
37-52	3-24412-1.....	SCREW	4	4

ILL. NO.	PART NO.	PART NAME	Q'TY PER SECTION	
			SP310	SPL310
37-21	38127-09400.....	WASHER-adjusting, drive pinion bearing 2.59t	}	
	38128-09400.....	WASHER-adjusting, drive pinion bearing 2.57t		
	38129-09400.....	WASHER-adjusting, drive pinion bearing 2.55t		
	38130-09400.....	WASHER-adjusting, drive pinion bearing 2.53t		
	38131-09400.....	WASHER-adjusting, drive pinion bearing 2.51t		
	38132-09400.....	WASHER-adjusting, drive pinion bearing 2.49t		
	38133-09400.....	WASHER-adjusting, drive pinion bearing 2.47t		
	38134-09400.....	WASHER-adjusting, drive pinion bearing 2.45t		
	38135-09400.....	WASHER-adjusting, drive pinion bearing 2.43t		
	38136-09400.....	WASHER-adjusting, drive pinion bearing 2.41t		
	38137-09400.....	WASHER-adjusting, drive pinion bearing 2.39t		
	38138-09400.....	WASHER-adjusting, drive pinion bearing 2.37t		
	38139-09400.....	WASHER-adjusting, drive pinion bearing 2.35t		
	38140-09400.....	WASHER-adjusting, drive pinion bearing 2.33t		
	38141-09400.....	WASHER-adjusting, drive pinion bearing 2.31t	1	1
37-22	38140-04100.....	BEARING-drive pinion, front	1	1
37-23	38189-02701.....	SEAL-oil drive pinion	1	1
37-24	38210-09400.....	ASS'Y-FLANGE, companion	1	1
37-25	38215-01300.....	WASHER-plain.....	1	1
37-26	38216-01300.....	NUT-castle	1	1
37-27	9-21430.....	PIN-cotter	1	1
37-28	38320-04100.....	GASKET-gear carrier	1	1
37-29	9-11145.....	NUT-plain	8	8
37-30	9-15115.....	WASHER-lock	8	8

REAR AXLE CASE & SHAFT

37-31	43010-10400.....	COMPLETE-CASE, rear axle	1	1
37-32	43067-30000.....	STUD-gear carrier	8	8
37-33	43027-04100.....	ASS'Y-PLUG, drain	1	1
37-34	9-32112.....	PLUG-taper	1	1
37-35	38322-55100.....	ASS'Y-BREATHER	1	1
37-36	42068-04101.....	SPACER-oil seal, rear axle.....	1	1

ILL. NO.	PART NO.	PART NAME	Q'TY PER SECTION	
			SP 310	SPL 310
37-37	38212-04101.....	SEAL-oil, rear axle shaft	2	2
37-38	38164-08000.....	SHAFT-rear axle	2	2
37-39	43070-04101.....	SPACER-rear axle bearing	2	2
37-40	43215-08000.....	BEARING-rear axle	2	2
37-41	43069-04101.....	WASHER-lock, rear axle bearing	2	2
37-42	43084-04101.....	NUT-lock, rear axle bearing	2	2
37-43	43036-04100.....	SHIM-rear axle case end 0.75t or 0.8t.	0~4	0~4
37-44	43239-04100.....	PACKING-grease clutch (vellumoid)	2	2
37-45	43234-04101.....	ASS'Y-CATCHER, grease rear axle bearing R.H.....	1	1
	43235-04101.....	ASS'Y-CATCHER, grease rear axle bearing L.H.	1	1
37-46	43223-04101.....	SEAL-grease, rear axle bearing	2	2
	43233-04100.....	PLATE-locking, brake disc fixing bolt.....	4	4
	43083-04101.....	BOLT-fixing, rear brake disc	8	8
37-49	9-12445-1.....	NUT.....	8	8

REAR HUB & DRUM

37-50	40221-04101.....	BOLT-hub, road wheel	8	8
37-51	40206-10500.....	DRUM-brake	2	2
37-52	3-24412-1.....	SCREW	4	4

ILL. NO.	PART NO.	PART NAME	Q'TY PER SECTION	
			SP310	SPL310
37-21	38127-09400.....	WASHER-adjusting, drive pinion bearing 2.59t	}	}
	38128-09400.....	WASHER-adjusting, drive pinion bearing 2.57t		
	38129-09400.....	WASHER-adjusting, drive pinion bearing 2.55t		
	38130-09400.....	WASHER-adjusting, drive pinion bearing 2.53t		
	38131-09400.....	WASHER-adjusting, drive pinion bearing 2.51t		
	38132-09400.....	WASHER-adjusting, drive pinion bearing 2.49t		
	38133-09400.....	WASHER-adjusting, drive pinion bearing 2.47t		
	38134-09400.....	WASHER-adjusting, drive pinion bearing 2.45t		
	38135-09400.....	WASHER-adjusting, drive pinion bearing 2.43t		
	38136-09400.....	WASHER-adjusting, drive pinion bearing 2.41t		
	38137-09400.....	WASHER-adjusting, drive pinion bearing 2.39t		
	38138-09400.....	WASHER-adjusting, drive pinion bearing 2.37t		
	38139-09400.....	WASHER-adjusting, drive pinion bearing 2.35t		
	38140-09400.....	WASHER-adjusting, drive pinion bearing 2.33t		
	38141-09400.....	WASHER-adjusting, drive pinion bearing 2.31t		
37-22	38140-04100.....	BEARING-drive pinion, front	1	1
37-23	38189-02701.....	SEAL-oil drive pinion	1	1
37-24	38210-09400.....	ASS'Y-FLANGE, companion	1	1
37-25	38215-01300.....	WASHER-plain.....	1	1
37-26	38216-01300.....	NUT-castle	1	1
37-27	9-21430.....	PIN-cotter	1	1
37-28	38320-04100.....	GASKET-gear carrier	1	1
37-29	9-11145.....	NUT-plain	8	8
37-30	9-15115.....	WASHER-lock	8	8

REAR AXLE CASE & SHAFT

37-31	43010-10400.....	COMPLETE CASE, rear axle	1	1
37-32	43067-30000.....	STUD-gear carrier	8	8
37-33	43027-04100.....	ASS'Y-PLUG, drain	1	1
37-34	9-32112.....	PLUG-taper	1	1
37-35	38322-55100.....	ASS'Y-BREATHER	1	1
37-36	42068-04101.....	SPACER-oil seal, rear axle.....	1	1

ILL. NO.	PART NO.	PART NAME	Q'TY PER SECTION	
			SP310	SPL310
37-37	38212-04101.....	SEAL-oil, rear axle shaft	2	2
37-38	38164-08000.....	SHAFT-rear axle	2	2
37-39	43070-04101.....	SPACER-rear axle bearing	2	2
37-40	43215-08000.....	BEARING-rear axle	2	2
37-41	43069-04101.....	WASHER-lock, rear axle bearing	2	2
37-42	43084-04101.....	NUT-lock, rear axle bearing	2	2
37-43	43036-04100.....	SHIM-rear axle case end 0.75t or 0.8t	0~4	0~4
37-44	43239-04100.....	PACKING-grease clutch (vellumoid)	2	2
37-45	43234-04101.....	ASS'Y-CATCHER, grease rear axle bearing R.H.....	1	1
	43235-04101.....	ASS'Y-CATCHER, grease rear axle bearing L.H.	1	1
37-46	43223-04101.....	SEAL-grease, rear axle bearing	2	2
	43233-04100.....	PLATE-locking, brake disc fixing bolt.....	4	4
	43083-04101.....	BOLT-fixing, rear brake disc	8	8
37-49	9-12445-1.....	NUT.....	8	8

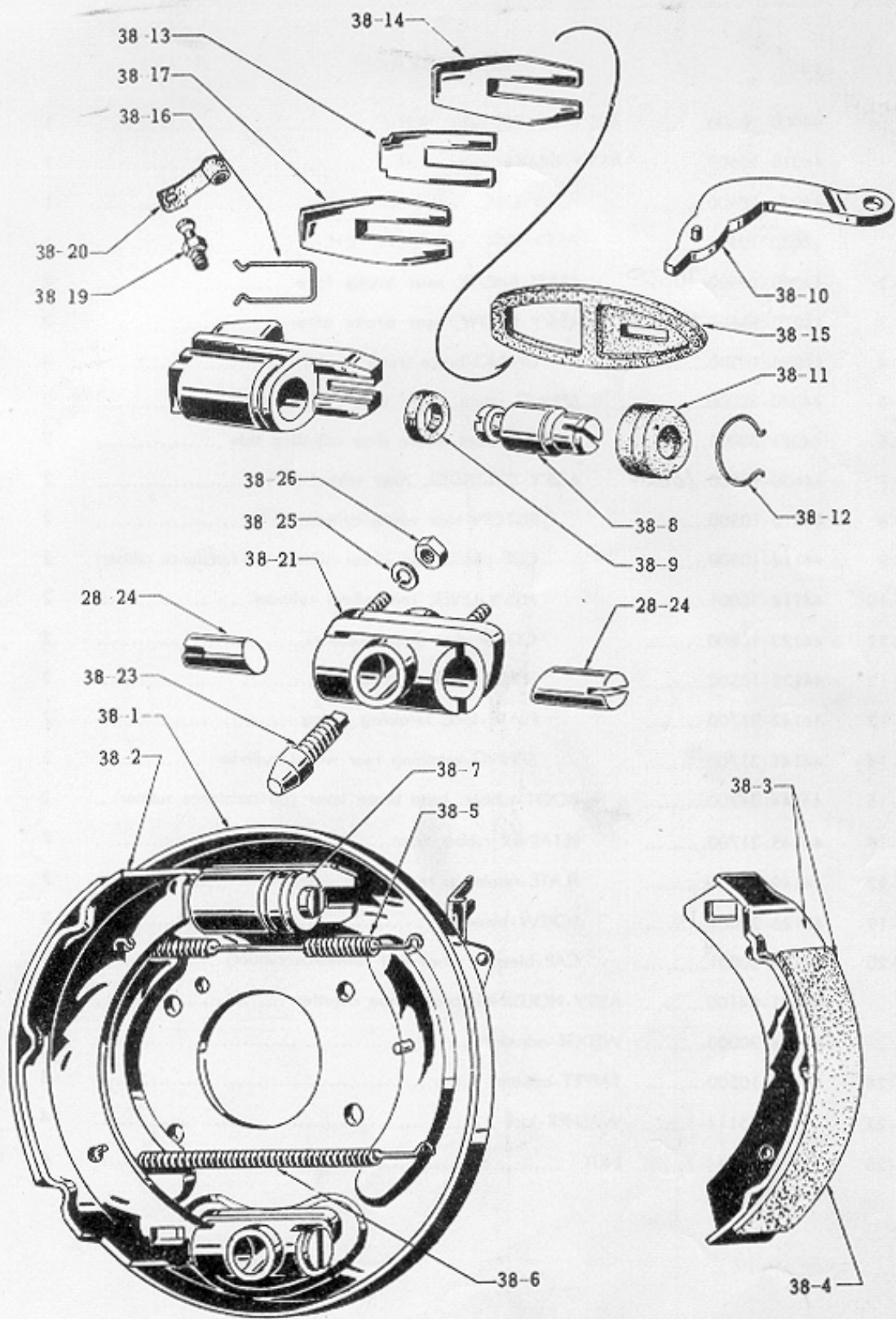
REAR HUB & DRUM

37-50	40221-04101.....	BOLT-hub, road wheel	8	8
37-51	40206-10500.....	DRUM-brake	2	2
37-52	3-24412-1.....	SCREW	4	4

44 000-10600

REAR BRAKE

Fig. 38



ILL. NO.	PART NO.	PART NAME	Q'TY PER SECTION	
			SP 310	SPL 310

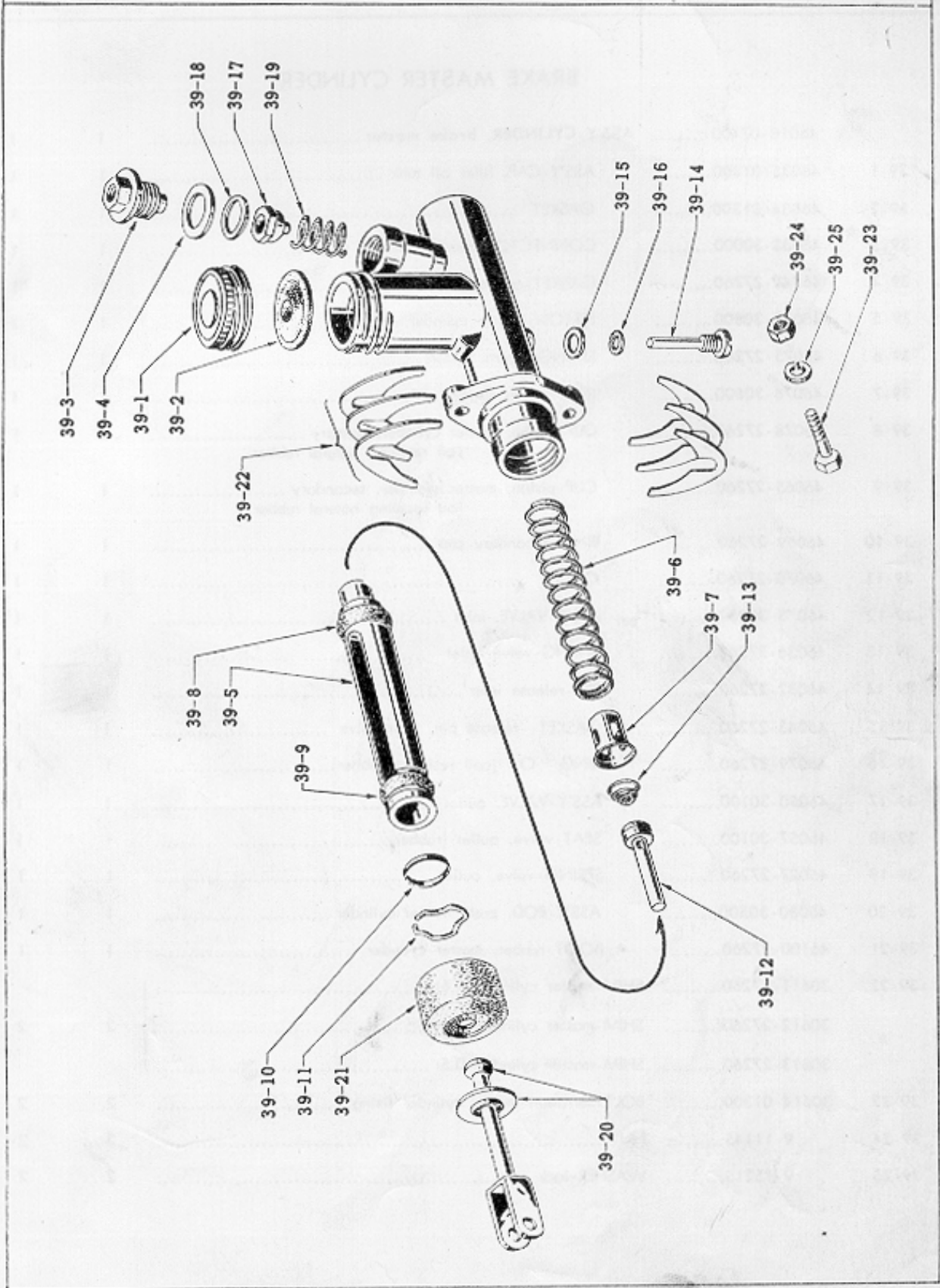
REAR BRAKE

	o 44000-10600.....	ASS'Y-BRAKE, rear R.H.	1	1
	o 44010-10600.....	ASS'Y-BRAKE, rear L.H.	1	1
38-1	o 44020-10600.....	ASS'Y-DISC, rear brake R.H.	1	1
	o 44030-10600.....	ASS'Y-DISC, rear brake L.H.	1	1
38-2	o 44060-10500..16500	ASS'Y-SHOW, rear brake fore	2	2
38-3	o 44070-10500..16500	ASS'Y-SHOW, rear brake after	2	2

46010-07400

BRAKE MASTER CYLINDER

Fig. 39

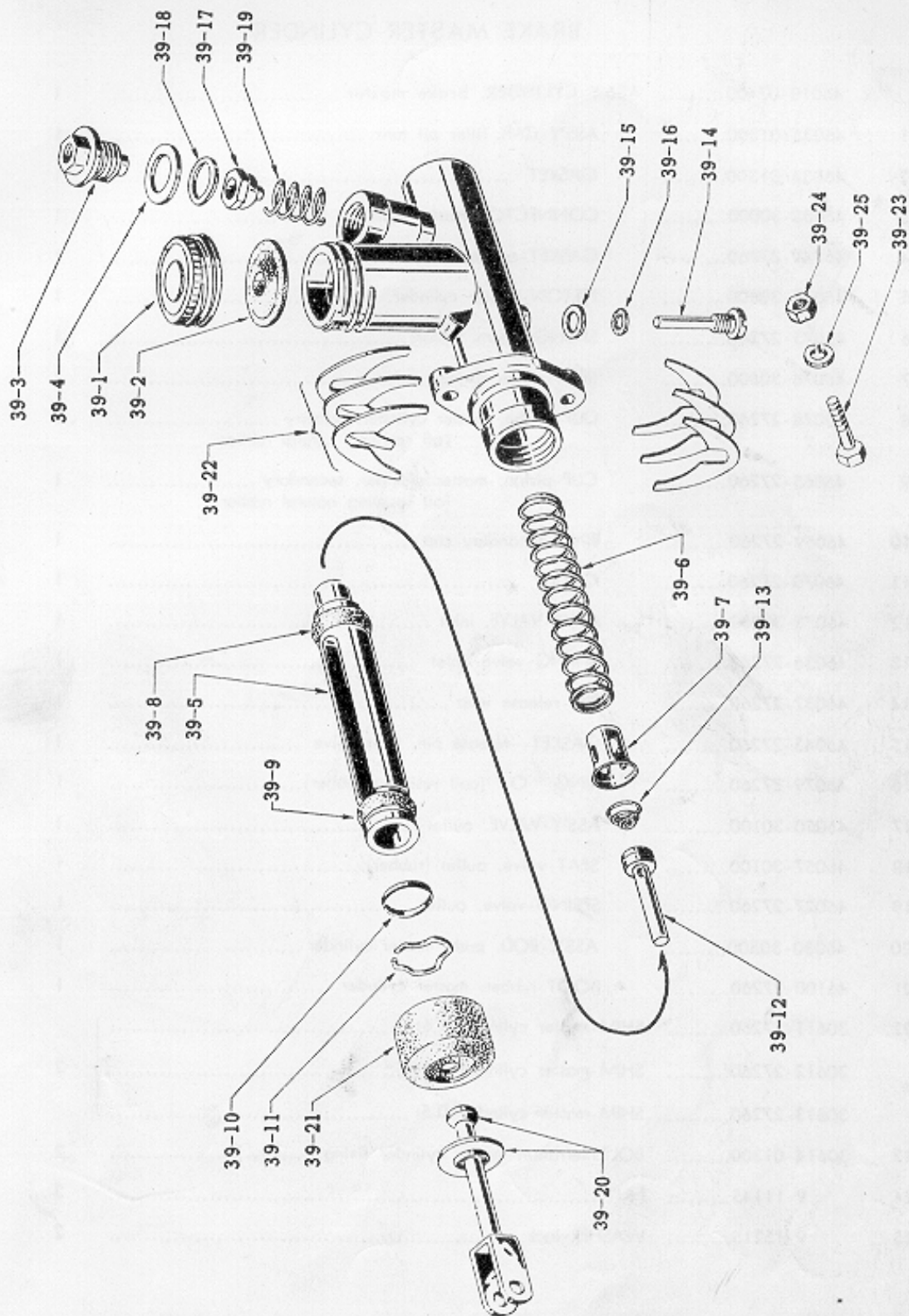


ILL. NO.	PART NO.	PART NAME	Q'TY PER SECTION	
			SP310	SPL310
BRAKE MASTER CYLINDER				
	46010-07400.....	ASS'Y-CYLINDER, brake master	1	1
39-1	46035-01300.....	ASS'Y-CAP, filler oil tank	1	1
39-2	46034-01300.....	GASKET	1	1
39-3	46038-30000.....	CONNECTOR-master cylinder, brake	1	1
39-4	46042-27260.....	GASKET-connector, outer	1	1
39-5	46063-30800.....	PISTON-master cylinder, brake	1	1
39-6	46075-27260.....	SPRING-return, piston	1	1
39-7	46076-30800.....	SEAT-return spring, piston	1	1
39-8	46078-27260.....	CUP-piston, master cylinder, primary	1	1
		(oil resisting natural rubber)		
39-9	46065-27260.....	CUP-piston, master cylinder, secondary	1	1
		(oil resisting natural rubber)		
39-10	46069-27260.....	RING-secondary cup	1	1
39-11	46070-27260.....	CIRCLIP	1	1
39-12	46073-30800.....	ASS'Y-VALVE, inlet	1	1
39-13	46056-27260.....	SPRING-valve, inlet	1	1
39-14	46032-27260.....	PIN-release inlet	1	1
39-15	46043-27260.....	GASKET--release pin, inlet valve	1	1
39-16	46079-27260.....	RING-" O " (coil resisting rubber).....	1	1
39-17	45050-30100.....	ASS'Y-VALVE, outlet	1	1
39-18	46057-30100.....	SEAT-valve, outlet (rubber).....	1	1
39-19	46027-27260.....	SPRING-valve, outlet	1	1
39-20	46080-30500.....	ASS'Y-ROD, push, master cylinder	1	1
39-21	46100-27260.....	BOOT-rubber, master cylinder	1	1
39-22	30611-27260.....	SHIM-master cylinder 1.6t	2	2
	30612-27260.....	SHIM-master cylinder 0.8t		
	30613-27260.....	SHIM-master cylinder 0.5t		
39-23	30614-01300.....	BOLT-serration master cylinder fixing.....	2	2
39-24	9-11145.....	NUT.....	2	2
39-25	9-15215.....	WASHER-lock	2	2

46010-07400

BRAKE MASTER CYLINDER

Fig. 39

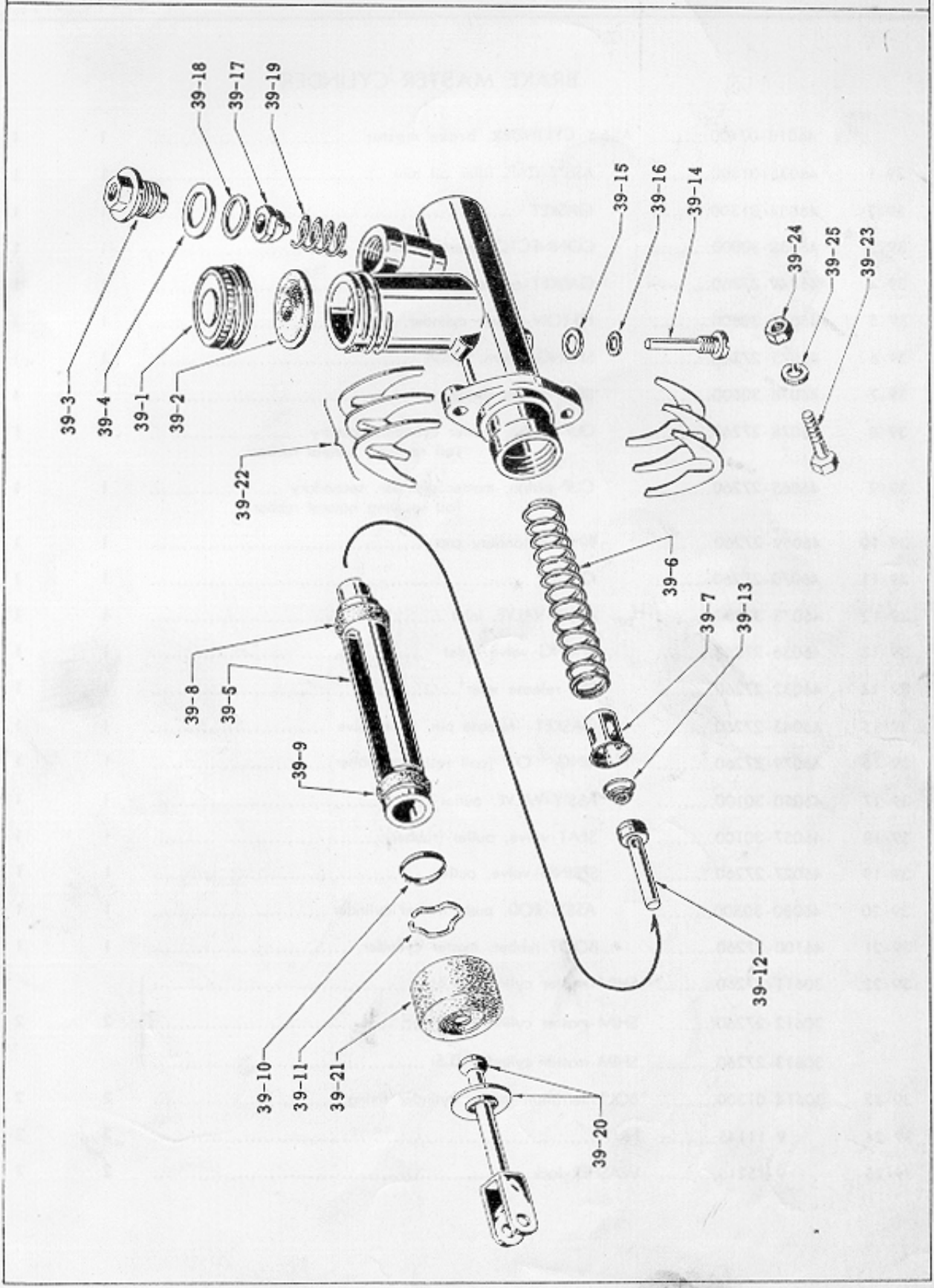


ILL. NO.	PART NO.	PART NAME	Q'TY PER SECTION	
			SP310	SPL310
BRAKE MASTER CYLINDER				
	46010-07400.....	ASS'Y-CYLINDER, brake master	1	1
39-1	46035-01300.....	ASS'Y-CAP, filler oil tank	1	1
39-2	46034-01300.....	GASKET	1	1
39-3	46038-30000.....	CONNECTOR-master cylinder, brake	1	1
39-4	46042-27260.....	GASKET-connector, outer	1	1
39-5	46063-30800.....	PISTON-master cylinder, brake	1	1
39-6	46075-27260.....	SPRING-return, piston	1	1
39-7	46076-30800.....	SEAT-return spring, piston	1	1
39-8	46078-27260.....	CUP-piston, master cylinder, primary (oil resisting natural rubber)	1	1
39-9	46065-27260.....	CUP-piston, master cylinder, secondary (oil resisting natural rubber)	1	1
39-10	46069-27260.....	RING-secondary cup	1	1
39-11	46070-27260.....	CIRCLIP	1	1
39-12	46073-30800.....	ASS'Y-VALVE, inlet	1	1
39-13	46056-27260.....	SPRING-valve, inlet	1	1
39-14	46032-27260.....	PIN-release inlet	1	1
39-15	46043-27260.....	GASKET--release pin, inlet valve	1	1
39-16	46079-27260.....	RING-"O" (coil resisting rubber).....	1	1
39-17	46050-30100.....	ASS'Y-VALVE, outlet	1	1
39-18	46057-30100.....	SEAT-valve, outlet (rubber).....	1	1
39-19	46027-27260.....	SPRING-valve, outlet	1	1
39-20	46080-30500.....	ASS'Y-ROD, push, master cylinder	1	1
39-21	46100-27260.....	BOOT-rubber, master cylinder	1	1
39-22	30611-27260.....	SHIM-master cylinder 1.6t	2	2
	30612-27260.....	SHIM-master cylinder 0.8t		
	30613-27260.....	SHIM-master cylinder 0.5t		
39-23	30614-01300.....	BOLT-serration master cylinder fixing.....	2	2
39-24	9-11145.....	NUT.....	2	2
39-25	9-15215.....	WASHER-lock	2	2

46010-07400

BRAKE MASTER CYLINDER

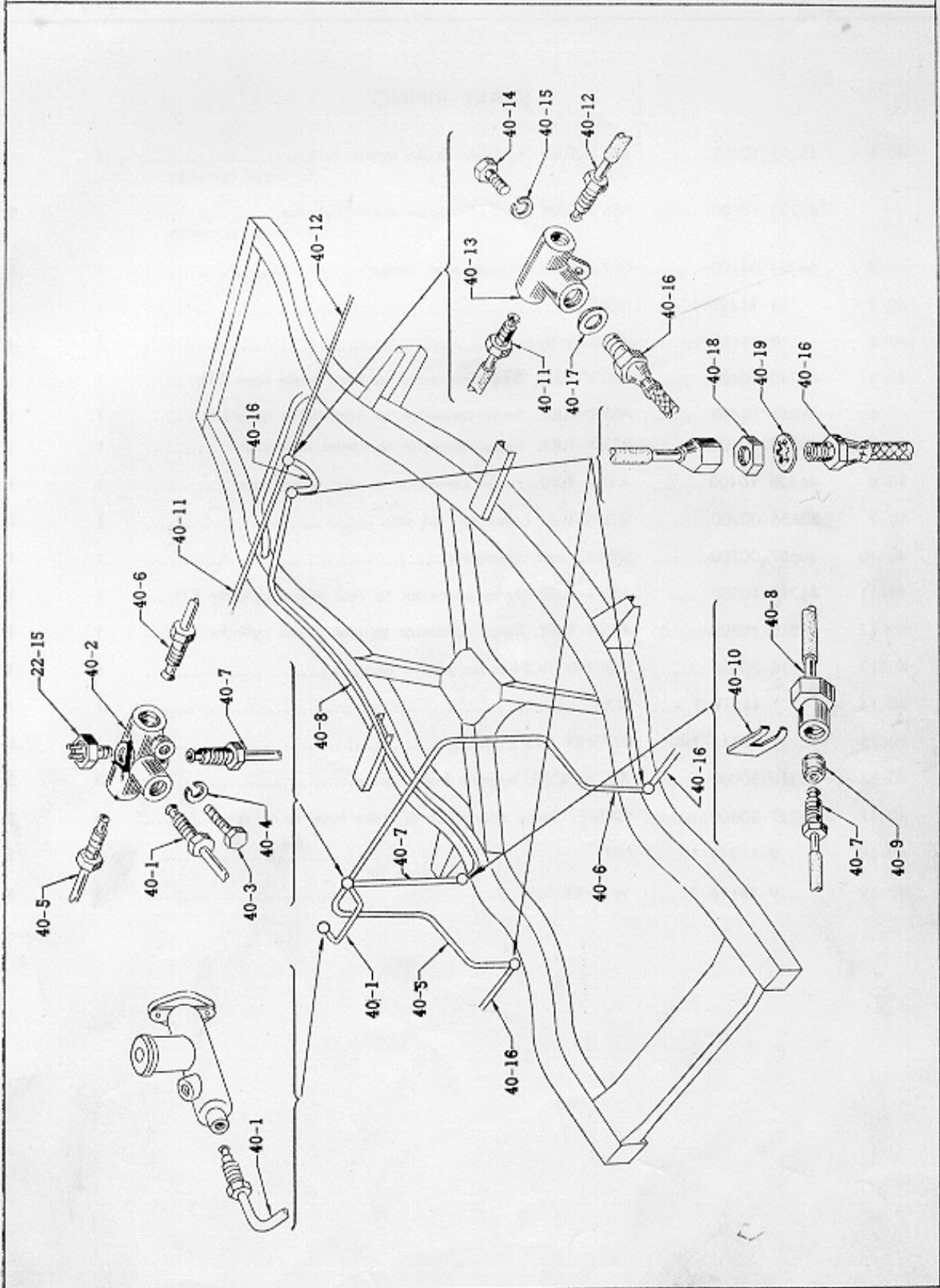
Fig. 39



ILL. NO.	PART NO.	PART NAME	Q'TY PER SECTION	
			SP310	SPL310
BRAKE MASTER CYLINDER				
	46010-07400.....	ASS'Y-CYLINDER, brake master	1	1
39-1	46035-01300.....	ASS'Y-CAP, filler oil tank	1	1
39-2	46034-01300.....	GASKET	1	1
39-3	46038-30000.....	CONNECTOR-master cylinder, brake	1	1
39-4	46042-27260.....	GASKET-connector, outer	1	1
39-5	46053-30800.....	PISTON-master cylinder, brake	1	1
39-6	46075-27260.....	SPRING-return, piston	1	1
39-7	46076-30800.....	SEAT-return spring, piston	1	1
39-8	46078-27260.....	CUP-piston, master cylinder, primary (oil resisting natural rubber)	1	1
39-9	46065-27260.....	CUP-piston, master cylinder, secondary (oil resisting natural rubber)	1	1
39-10	46069-27260.....	RING-secondary cup	1	1
39-11	46070-27260.....	CIRCLIP	1	1
39-12	46073-30800.....	ASS'Y-VALVE, inlet	1	1
39-13	46056-27260.....	SPRING-valve, inlet	1	1
39-14	46032-27260.....	PIN-release inler	1	1
39-15	46043-27260.....	GASKET--release pin, inlet valve	1	1
39-16	46079-27260.....	RING-"O" (coil resisting rubber).....	1	1
39-17	45050-30100.....	ASS'Y-VALVE, outlet	1	1
39-18	46057-30100.....	SEAT-valve, outlet (rubber).....	1	1
39-19	46027-27260.....	SPRING-valve, outlet	1	1
39-20	46080-30500.....	ASS'Y-ROD, push, master cylinder	1	1
39-21	46100-27260.....	BOOT-rubber, master cylinder	1	1
39-22	30611-27260.....	SHIM-master cylinder 1.6t	2	2
	30612-27260.....	SHIM-master cylinder 0.8t		
	30613-27260.....	SHIM-master cylinder 0.5t		
39-23	30614-01300.....	BOLT-serration master cylinder fixing.....	2	2
39-24	9-11145.....	NUT.....	2	2
39-25	9-15215.....	WASHER-lock	2	2

BRAKE PIPING

Fig. 40



ILL. NO.	PART NO.	PART NAME	Q'TY PER SECTION	
			SP310	SPL310

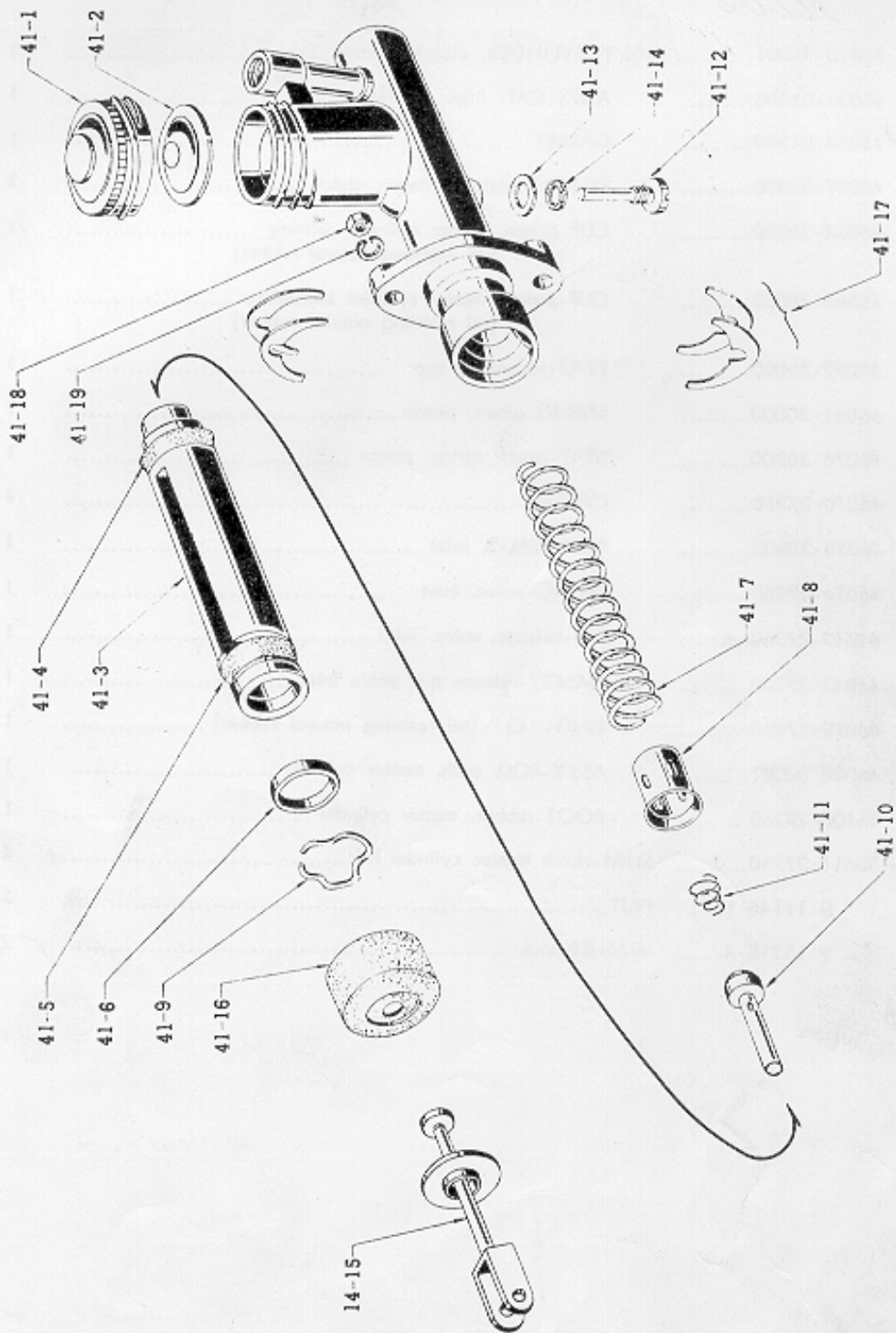
BRAKE PIPING

40-1	o 46223-10401.....	ASS'Y-TUBE, hydraulic brake master cylinder..... to 5way connector	1	-
	o 46223-10500.....	ASS'Y-TUBE, hydraulic brake master cylinder..... to 5way connector	-	1
40-2	46234-04100.....	CONNECTOR-brake tube, 5way	1	1
40-3	1-11420-1.....	BOLT	1	1
40-4	9-15114-1.....	WASHER-lock	1	1
40-5	o 46240-10400.....	ASS'Y-TUBE, 5way connector to front brake hose R.H.	1	1
40-6	o 46242-10400.....	ASS'Y-TUBE, 5way connector to front brake hose L.H.	1	1
40-7	o 46229-10400.....	ASS'Y-TUBE, 5way connector to center connector	1	1
40-8	o 46228 10400.....	ASS'Y-TUBE, center connector to rear brake hose	1	1
40-9	30656-00200.....	SLEEVE ball, connector, oil tube.....	1	1
40-10	30657-00200.....	SPRING-lock, connector	1	1
40-11	46290-10500.....	ASS'Y-TUBE, 3way connector to rear wheel cylinder R.H. ...	1	1
40-12	o 46310-10500.....	ASS'Y-TUBE, 3way connector to rear wheel cylinder L.H. ...	1	1
40-13	46316 30001.....	CONNECTION-brake tube 3 way.....	1	1
40-14	1-11516-1.....	BOLT	1	1
40-15	9-15115-1.....	WASHER-lock	1	1
40-16	46210-30001.....	ASS'Y-HOSE, hydraulic brake	3	3
40-17	46237-30000.....	GASKET-3way connection & brake hose to cylinder	3	3
40-18	9-11346-1.....	NUT	3	3
40-19	9-16116-3.....	WASHER-lock } brake hose fix	3	3

30610-30001

CLUTCH MASTER CYLINDER

Fig.41



ILL. NO.	PART NO.	PART NAME	Q'TY PER SECTION	
			SP 310	SPL 310

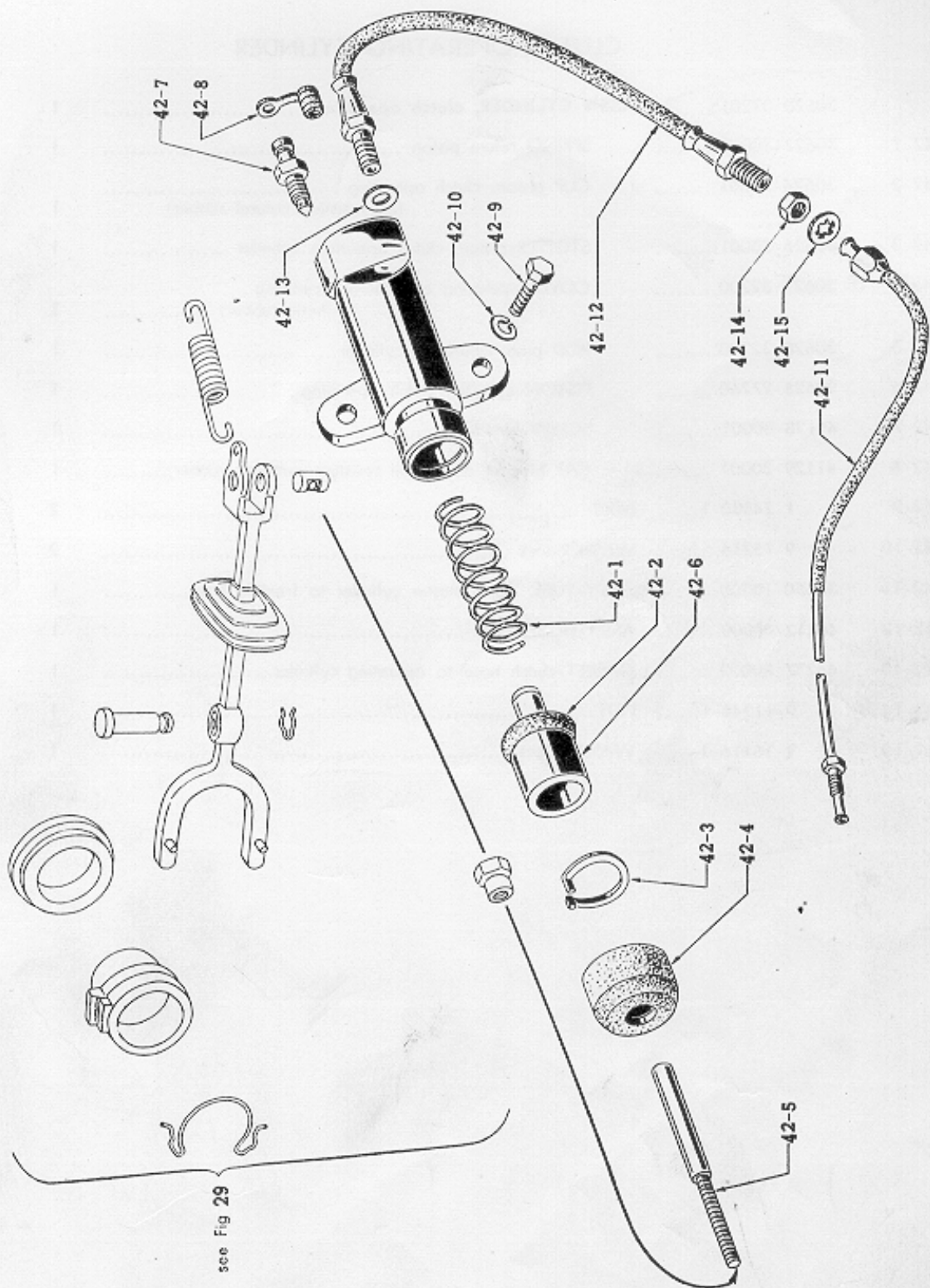
R. Kit 30615
30002

CLUTCH MASTER CYLINDER

	30610-30001.....	ASS'Y-CYLINDER, clutch master	1	1
41-1	46035-01300.....	ASS'Y-CAP, filler, oil tank	1	1
41-2	46034-01300.....	GASKET	1	1
41-3	46077-30800.....	PISTON-master cylinder, clutch	1	1
41-4	46064-30000.....	CUP-piston, master cylinder primary	1	1
		(oil resisting natural rubber)		
41-5	46065-30000.....	CUP-piston, master cylinder secondary	1	1
		(oil resisting natural rubber)		
41-6	46069-30000.....	RING-secondary cup	1	1
41-7	46061-30000.....	SPRING-return, piston	1	1
41-8	46076-30800.....	SEAT-return spring, piston	1	1
41-9	46070-27260.....	CIRCLIP	1	1
41-10	46073-30800.....	ASS'Y-VALVE, inlet	1	1
41-11	46056-27260.....	SPRING-valve, inlet	1	1
41-12	46032-27260.....	PIN-release, valve, inlet	1	1
41-13	46043-27260.....	GASKET-release pin, valve inlet.....	1	1
41-14	46079-27260.....	RING-" O " (oil resisting natural rubber)	1	1
41-15	46080-30001.....	ASS'Y-ROD, push, master cylinder	1	1
41-16	46100-27260.....	BOOT-rubber, master cylinder	1	1
41-17	30611-27260.....	SHIM-clutch master cylinder 1.6t.....	4	4
41-18	9-11145-1.....	NUT.....	2	2
41-19	9-15215-4.....	WASHER-lock	2	2

CLUTCH OPERATING CYLINDER

Fig. 42



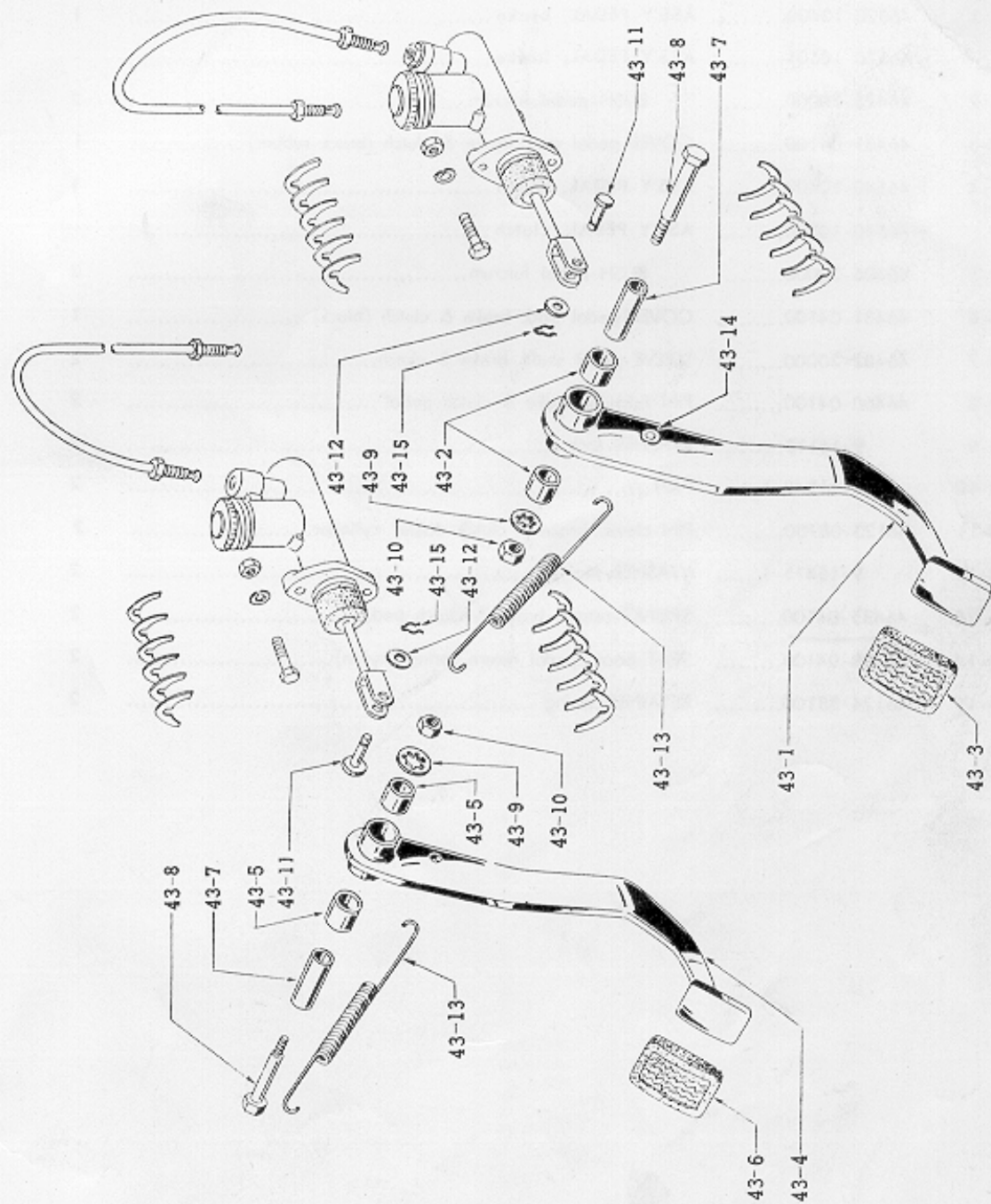
ILL. NO.	PART NO.	PART NAME	Q'TY PER SECTION	
			SP310	SPL310

CLUTCH OPERATING CYLINDER

	30620-32201.....	ASS'Y-CYLINDER, clutch operating	1	1
42-1	30622-30001.....	SPRING-return piston	1	1
42-2	30624-30001.....	CUP-piston, clutch operating	1	1
		(oil resisting natural rubber)		
42-3	30626-30001.....	STOPPER-piston, clutch operating cylinder	1	1
42-4	30627-32200.....	COVER-operating cylinder (oil resisting synthetic rubber)	1	1
42-5	30628-32200.....	ROD-push, operating cylinder.....	1	1
42-6	30625-27260.....	PISTON-cylinder, clutch operating	1	1
42-7	41128-30001.....	SCREW-bleeder	1	1
42-8	41129-30001.....	CAP-bleeder screw (oil resisting synthetic rubber).....	1	1
42-9	1-24630-1.....	BOLT	2	2
42-10	9-15216.....	WASHER-lock	2	2
42-11	30650-10500.....	ASS'Y-TUBE, clutch master cylinder to flexible hose.....	1	1
42-12	46212-30000.....	ASS'Y-HOSE, clutch.....	1	1
42-13	46237-30000.....	GASKET-clutch hose to operating cylinder.....	1	1
42-14	9-11346-1.....	NUT.....	1	1
42-15	9-16116-1.....	WASHER-lock	1	1

BRAKE & CLUTCH PEDAL

Fig. 43



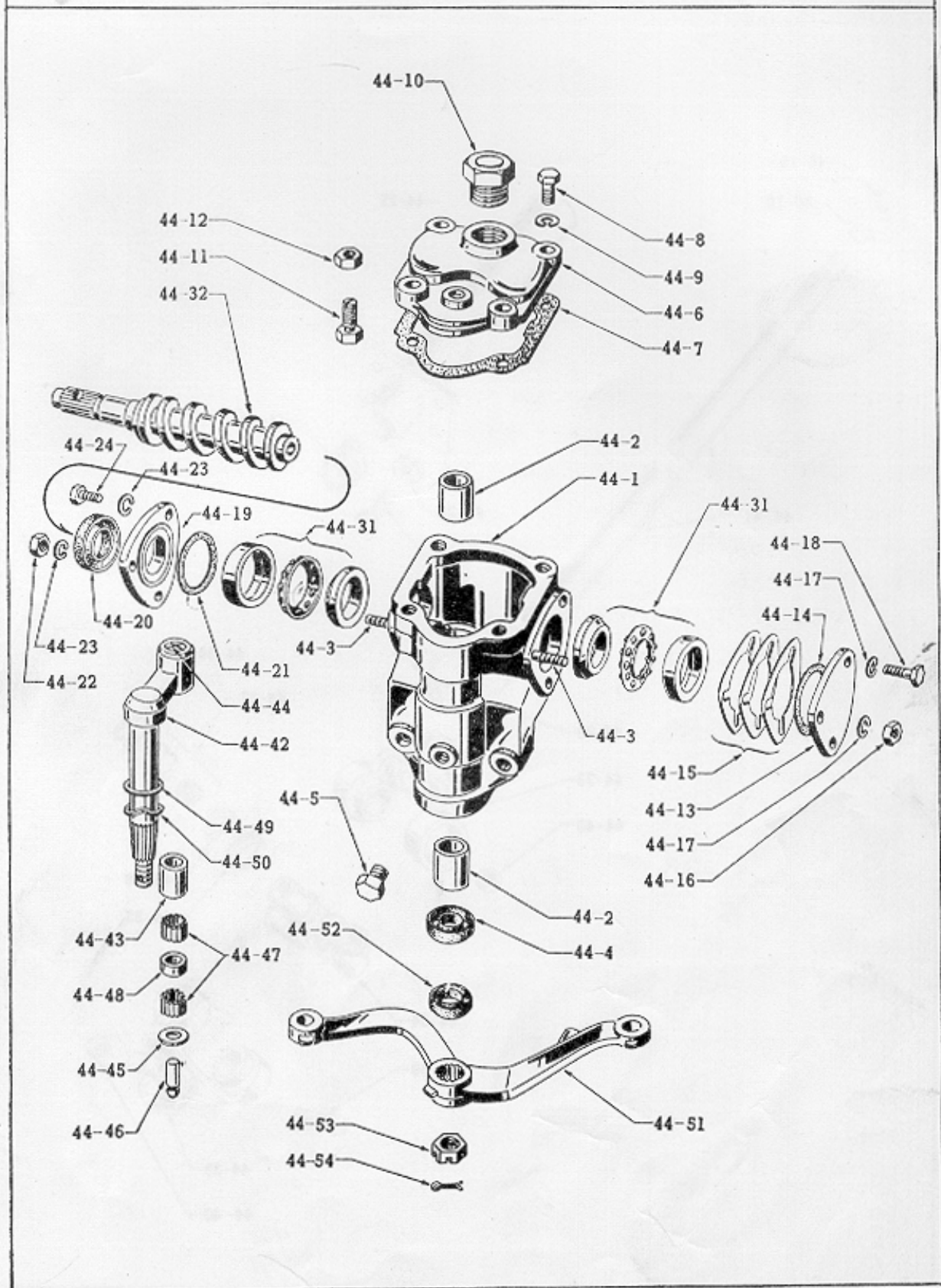
ILL. NO.	PART NO.	PART NAME	Q'TY PER SECTION	
			SP 310	SPL 310

BRAKE & CLUTCH PEDAL

43-1	○ 46520-10400.....	ASS'Y-PEDAL, brake	1	-
	○ 46520-10501.....	ASS'Y-PEDAL, brake	-	1
43-2	46425-30000.....	BUSH-pedal fulcrum.....	2	2
43-3	46431-04100.....	COVER-pedal pad, brake & clutch (brack rubber)	1	1
43-4	○ 46540-10400.....	ASS'Y-PEDAL, clutch	1	-
	○ 46540-10500.....	ASS'Y-PEDAL, clutch	-	1
43-5	46425-30000.....	BUSH-pedal fulcrum.....	2	2
43-6	46431-04100.....	COVER-pedal pad, brake & clutch (black)	1	1
43-7	46482-30000.....	SLEEVE-pedal shaft, brake & clutch.....	2	2
43-8	46460-04100.....	PIN-fulcrum, brake & clutch pedal	2	2
43-9	9-16118.....	WASHER-lock	2	2
43-10	9-11348-1.....	NUT.....	2	2
43-11	46123-08700.....	PIN-clevis, brake & clutch master cylinder.....	2	2
43-12	9-15415-1.....	WASHER-plain.....	2	2
43-13	<u>46485-04100.....</u>	SPRING-return, brake & clutch pedal	2	2
43-14	46488-04100.....	SEAT-hook, pedal return spring (nylon)	2	2
43-15	46124-35100.....	RETAINER-spring	2	2

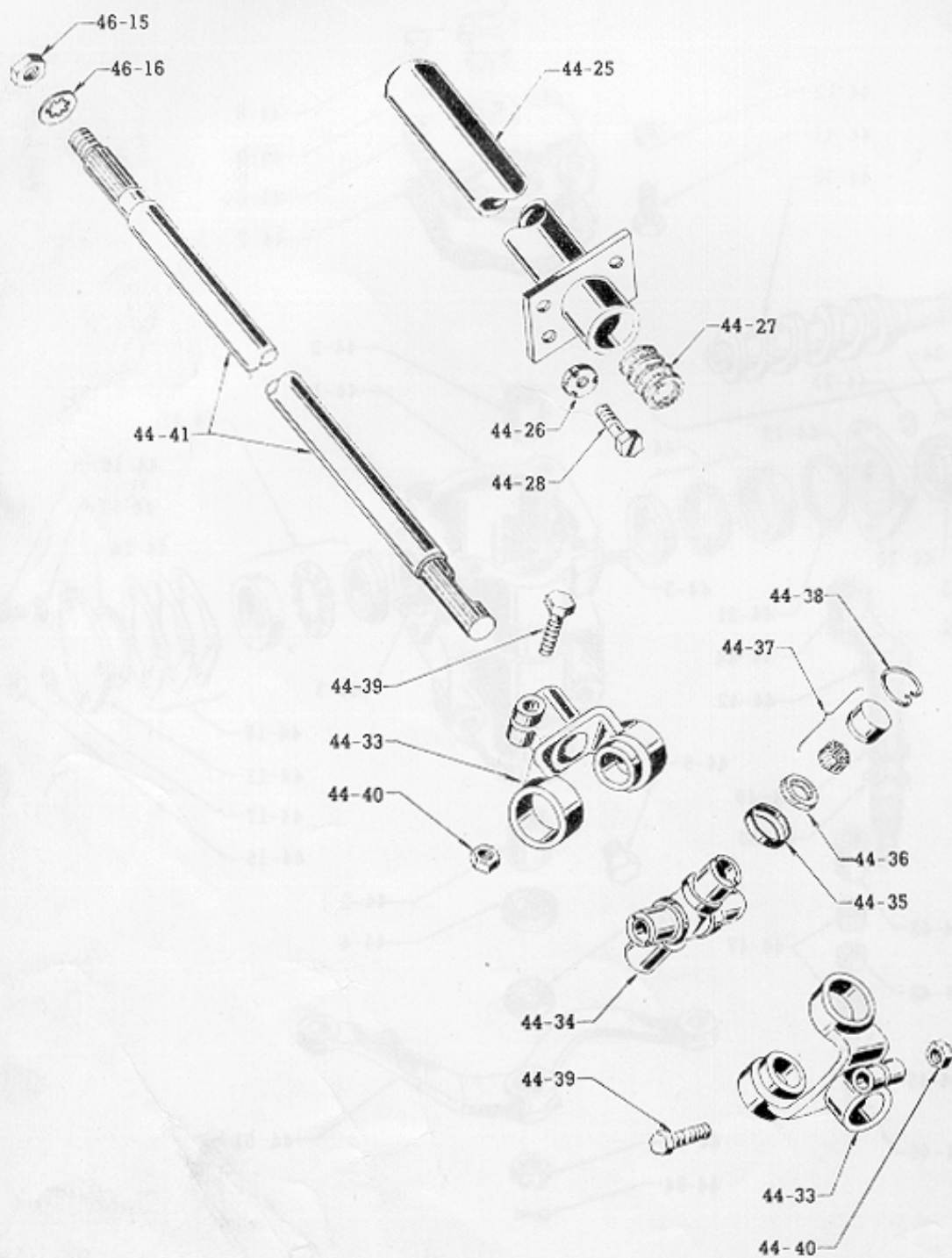
STEERING GEAR

Fig. 44



STEERING COLUMN & COUPLING

Fig. 44-A



ILL. NO.	PART NO.	PART NAME	Q'TY PER SECTION	
			SP310	SPL310

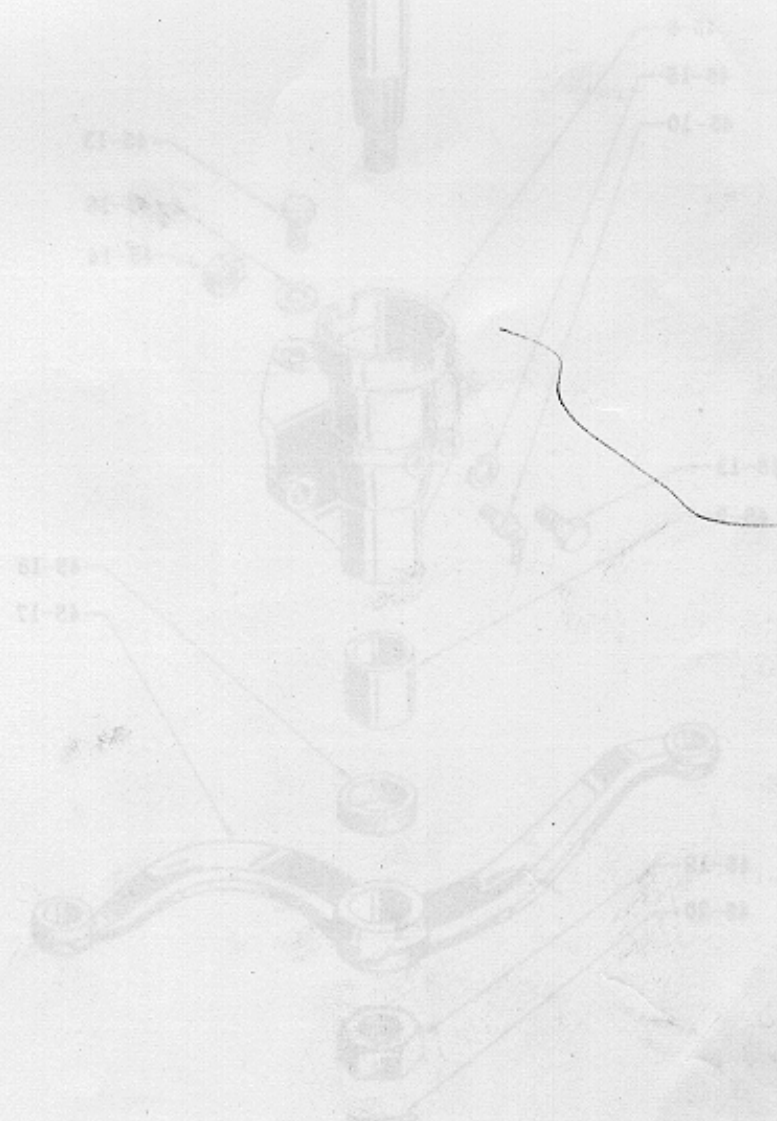
STEERING GEAR

	48010-10450.....	ASS'Y-GEAR, steering	1	
	48010-10550.....	ASS'Y-GEAR, steering	-	1
44-1	48011-04100.....	COMPLETE-HOUSING, steering	1	1
44-2	48127-30001.....	BUSHING-idler shaft (steel back phos bronze)	2	2
44-3	48206-30800.....	STUD-housing, front.....	2	2
44-4	48539-10600.....	SEAL-oil, rocker shaft	1	1
44-5	11120-10460.....	PLUG-drain	1	1
44-6	48201-04100.....	COVER-rocker shaft.....	1	1
44-7	48204-30800.....	GASKET-rocker shaft cover (vellumoid)	1	1
44-8	1-24525.....	BOLT	2	2
	1-24535.....	BOLT	2	2
44-9	9-15115.....	WASHER-lock	4	4
44-10	48064-04100.....	ASS'Y-PLUG, filler	1	1
44-11	48135-30800.....	SCREW-rocker shaft adjusting.....	1	1
44-12	9-11347.....	NUT-lock.....	1	1
44-13	48219-04100.....	COVER-housing, front	1	1
44-14	48035-04100.....	"O" RING-housing cover (rubber)	1	1
44-15	48210-04100.....	SHIM-worm bearing 0.76t	1	1
	48211-04100.....	SHIM-worm bearing 0.25t	1	1
	48212-04100.....	SHIM-worm bearing 0.13t	1	1
	48213-04100.....	SHIM-worm bearing 0.05t	1	1
44-16	9-11245.....	NUT	1	1
44-17	9-15115.....	WASHER-lock	3	3
44-18	1-24518.....	BOLT	2	2
44-19	48203-04100.....	COVER-housing rear	1	1
44-20	48029-04100.....	SEAL-oil, worm shaft	1	1
44-21	48035-04100.....	"O" RING-housing cover (rubber)	1	1
44-22	9-11245.....	NUT	1	1
44-23	9-15115.....	WASHER-lock	3	3
44-24	1-24518.....	BOLT	2	2
44-25	48050-10401.....	COMPLETE-JACKET, steering column	1	-
	48050-10501.....	COMPLETE-JACKET, steering column	-	1

ILL. NO.	PART NO.	PART NAME	Q'TY PER SECTION	
			SP310	SPL310
44-26	48053-10500.....	WASHER-special lock	4	4
44-27	48054-10400.....	ASS'Y-BUSH, column	1	1
44-28	3-69414.....	BOLT	4	4
44-31	48025-04100.....	ASS'Y-BEARING, worm	2	2
44-32	48023-04100.....	WORM-steering gear	1	-
	48023-04200.....	WORM-steering gear	-	1
44-33	48081-04700.....	YOKE-universal joint	2	2
44-34	48085-04700.....	JOURNAL.....	1	1
44-35	37133-11960.....	RETAINER-oil seal, bearing	4	4
44-36	37134-11960.....	SEAL-oil, bearing (car!)	4	4
44-37	37130-11960.....	ASS'Y-BEARING	4	4
44-38	37136-11960.....	RING-snap	4	4
44-39	1-24530.....	BOLT	2	2
44-40	9-11345.....	NUT.....	2	2
44-41	48020-10400.....	COMPLETE-COLUMN, steering	1	1
44-42	48100-04100.....	ASS'Y-SHAFT, rocker	1	1
44-43	48046-30800.....	RACE-needle roller	1	1
44-44	48062-30800.....	PLUG-ball roller	1	1
44-45	48047-30800.....	COVER-needle roller	1	1
44-46	48105-30800.....	BALL-roller 12,998 ϕ }	1	1
	48106-30800.....	BALL-roller 12,993 ϕ }		
	48107-30800.....	BALL-roller 12,988 ϕ }		
44-47	48108-95960.....	ROLLER-needle 2,540 ϕ }	38	38
	48109-95960.....	ROLLER-needle 2,543 ϕ }		
	48110-95960.....	ROLLER-needle 2,546 ϕ }		
44-48	48111-95960.....	SPACER-needle moller	1	1
44-49	48126-30800.....	WASHER-thrust, rocker shaft	1	1
44-50	48125-30800.....	WASHER-adjusting, rocker shaft	1	1
44-51	48501-04100.....	ARM-steering gear	1	1

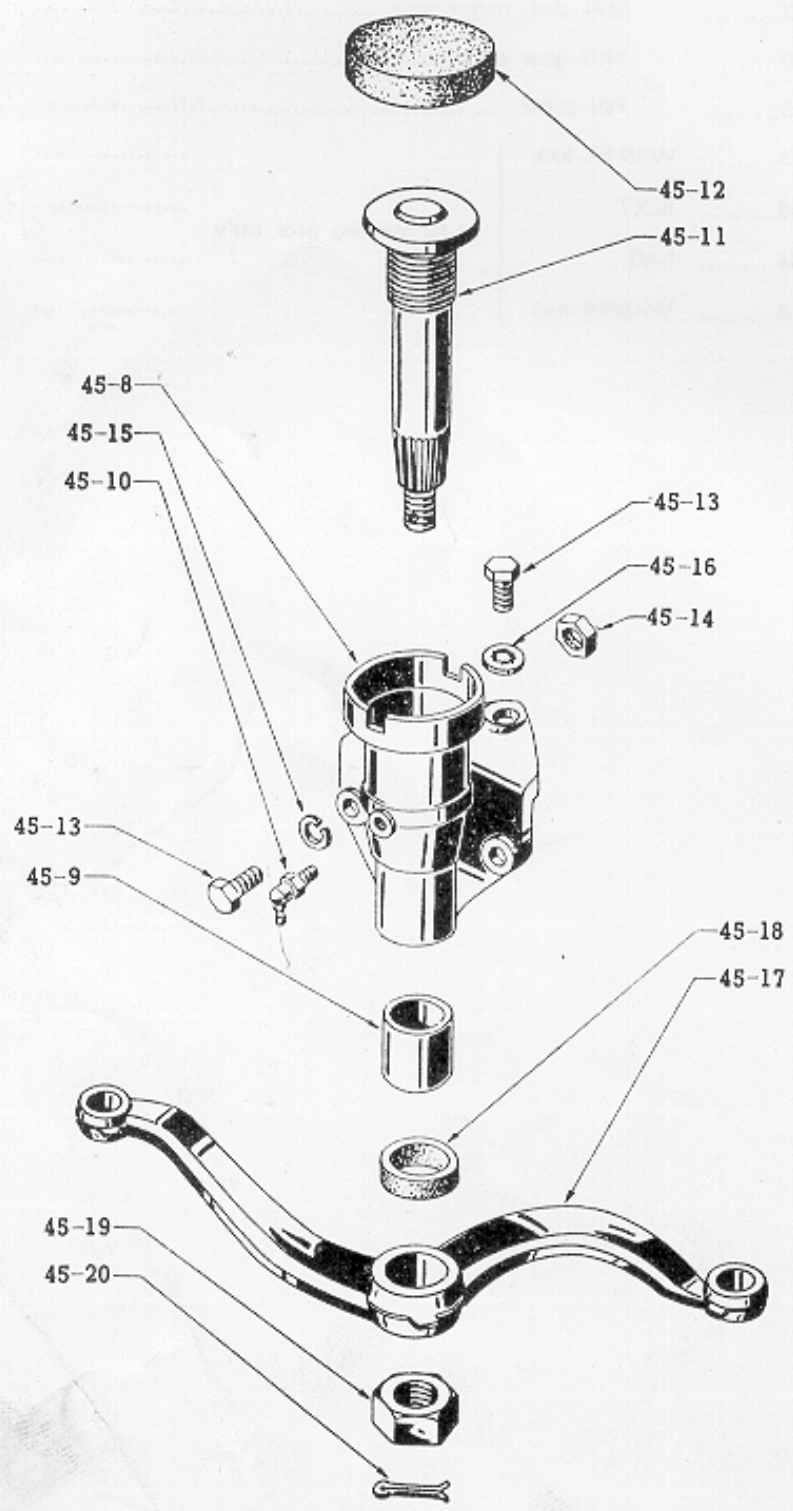
ILL. NO.	PART NO.	PART NAME	Q'TY PER SECTION	
			SP310	SPL310
44-52	48521-04100.....	SEAL-dust, rocker shaft	1	1
44-53	48504-04100.....	NUT-gear arm.....	1	1
44-54	9-21345.....	PIN-cotter	1	1
	9-16216.....	WASHER-lock	1	1
	1-24638.....	BOLT	3	3
	9-12646.....	NUT	2	2
	9-15116.....	WASHER-lock	2	2

to fix steering gear ass'y



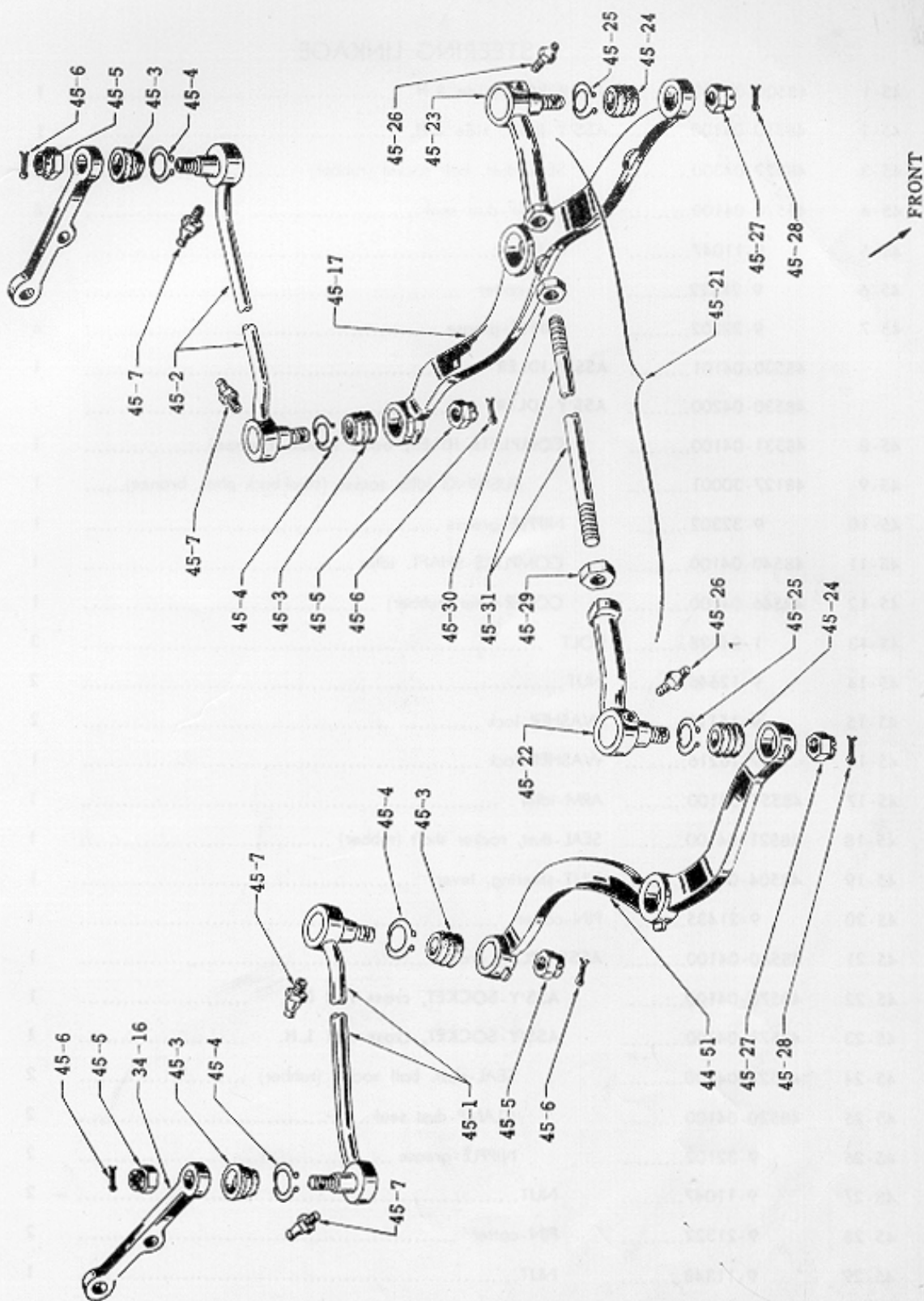
IDLER & ARM

Fig. 45



STEERING LINKAGE

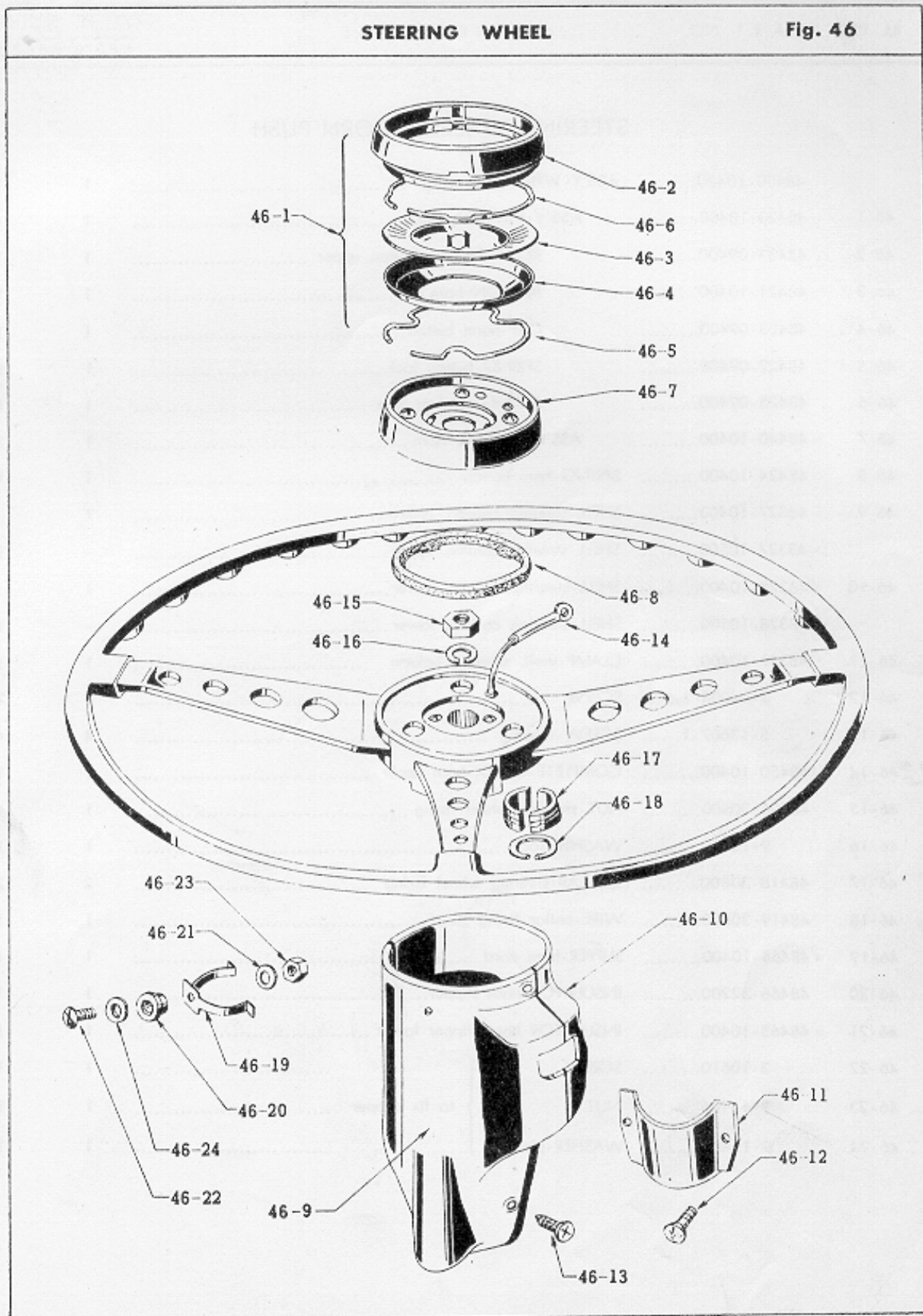
Fig. 45-A



ILL. NO.	PART NO.	PART NAME	Q'TY PER SECTION	
			SP310	SPL310
STEERING LINKAGE				
45-1	48509-04100.....	ASS'Y-ROD, side R.H.	1	1
45-2	48510-04100.....	ASS'Y-ROD, side L.H.	1	1
45-3	48522-04300.....	SEAL-dust, ball socket (rubber)	4	4
45-4	48520-04100.....	CLAMP-dust seal	4	4
45-5	9-11047.....	NUT	4	4
45-6	9-21322.....	PIN-cotter	4	4
45-7	9-32302.....	NIPPLE-grease	4	4
	48530-04101.....	ASS'Y-IDLER	1	-
	48530-04200.....	ASS'Y-IDLER	-	1
45-8	48531-04100.....	COMPLETE-IDLER, body (phos. bronze).....	1	1
45-9	48127-30001.....	BUSHING-idler socket (steel back phos. bronze).....	1	1
45-10	9-32302.....	NIPPLE-grease	1	1
45-11	48540-04100.....	COMPLETE-SHAFT, idler	1	1
45-12	48546-04100.....	COVER-idler (rubber)	1	1
45-13	1-24638.....	BOLT	3	3
45-14	9-12646.....	NUT	2	2
45-15	9-15116.....	WASHER-lock	2	2
45-16	9-16216.....	WASHER-lock	1	1
45-17	48551-04100.....	ARM-idler	1	1
45-18	48521-04100.....	SEAL-dust, rocker shaft (rubber)	1	1
45-19	48504-04100.....	NUT-steering, lever	1	1
45-20	9-21435.....	PIN-cotter	1	1
45-21	48560-04100.....	ASS'Y-ROD, cross	1	1
45-22	48570-04100.....	ASS'Y-SOCKET, cross rod R.H.	1	1
45-23	48571-04100.....	ASS'Y-SOCKET, cross rod L.H.	1	1
45-24	48522-04300.....	SEAL-dust, ball socket (rubber)	2	2
45-25	48520-04100.....	CLAMP-dust seal	2	2
45-26	9-32102.....	NIPPLE-grease	2	2
48-27	9-11047.....	NUT.....	2	2
45-28	9-21322.....	PIN-cotter	2	2
45-29	9-11348.....	NUT.....	1	1
45-30	48583-04100.....	NUT-cross rod, lock	1	1
45-31	48550-04100.....	BAR-cross rod	1	1

STEERING WHEEL

Fig. 46

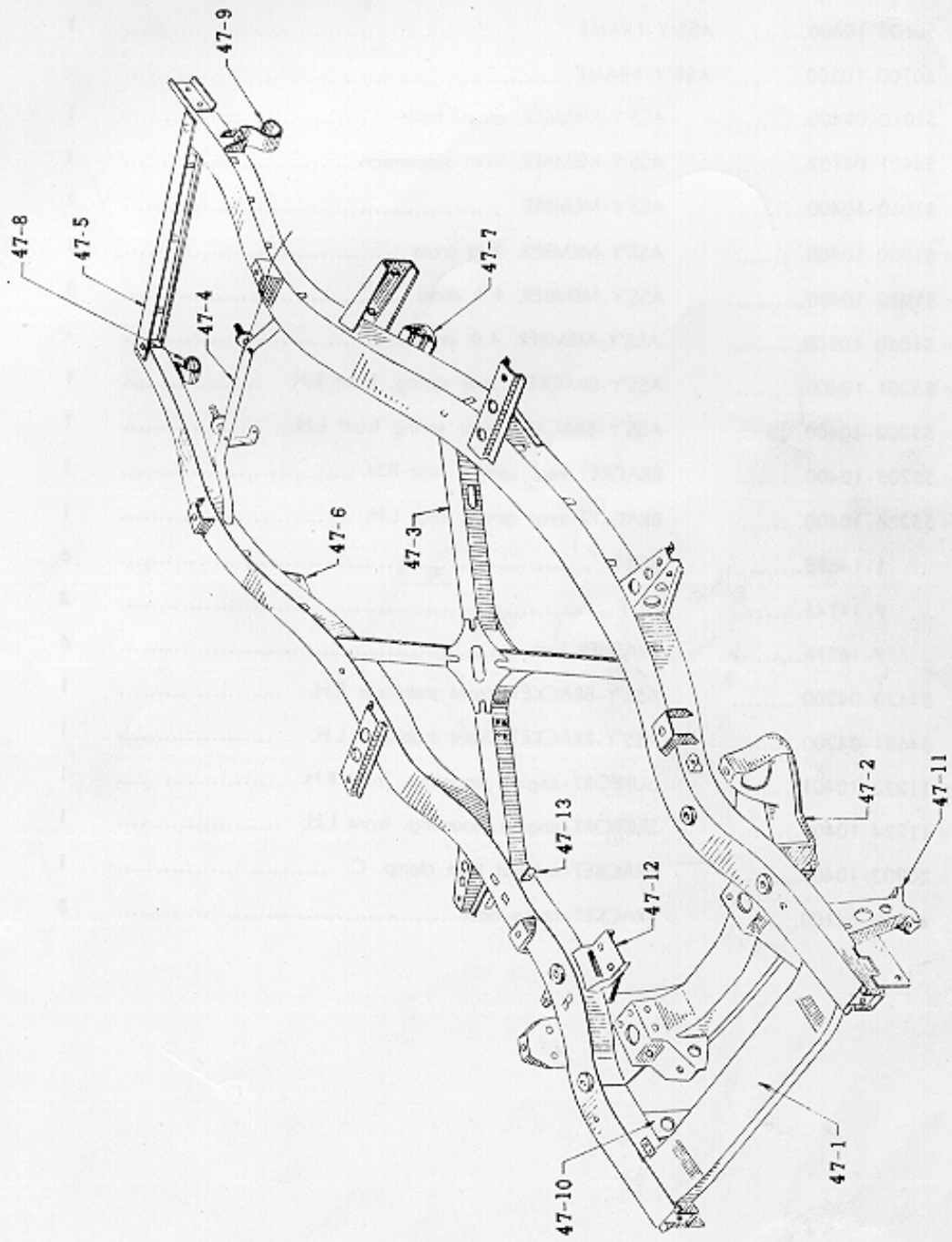


ILL. NO.	PART NO.	PART NAME	Q'TY PER SECTION	
			SP 310	SPL 310
STEERING WHEEL & HORN PUSH				
	48400-10400	ASS'Y-WHEEL, steering	1	1
46-1	48420-10400	ASS'Y-BUTTON, horn	1	1
46-2	48433-09400	RETAINER-horn button, upper	1	1
46-3	48421-10400	BUTTON-horn	1	1
46-4	48423-09400	CAP-horn button	1	1
46-5	48422-09400	SPRING-button lock	1	1
46-6	48425-09400	SPRING-retainer lock	1	1
46-7	48440-10400	ASS'Y-SWITCH, horn	1	1
46-8	48424-10400	SPRING-horn button	1	1
46-9	48327-10400	SHELL-steering column, upper	1	-
	48327-10500	SHELL-steering column, upper	-	1
46-10	48328-10400	SHELL-steering column, lower	1	-
	48328-10500	SHELL-steering column, lower	-	1
46-11	48332-10400	CLAMP-shell, steering column	1	1
46-12	3-14008-1	SCREW	2	2
46-13	5-13607-1	SCREW-tapping	4	4
46-14	48450-10400	COMPLETE-CORD, horn upper	1	1
46-15	48405-30800	NUT-steering wheel fixing	1	1
46-16	9-16120	WASHER-lock	1	1
46-17	48418-30800	COLLAR-steering wheel fixing	2	2
46-18	48419-30800	WIRE-collar fixing	1	1
46-19	48465-10400	SLIPPER-horn cord	1	1
46-20	48466-32200	INSULATOR-horn slipper	1	1
46-21	48463-10400	INSULATOR-horn slipper lower	1	1
46-22	3-10610	SCREW	1	1
46-23	9-11106	NUT	} to fix slipper	1
46-24	9-15406	WASHER-plain		1

50100-10400

FRAME

Fig. 47



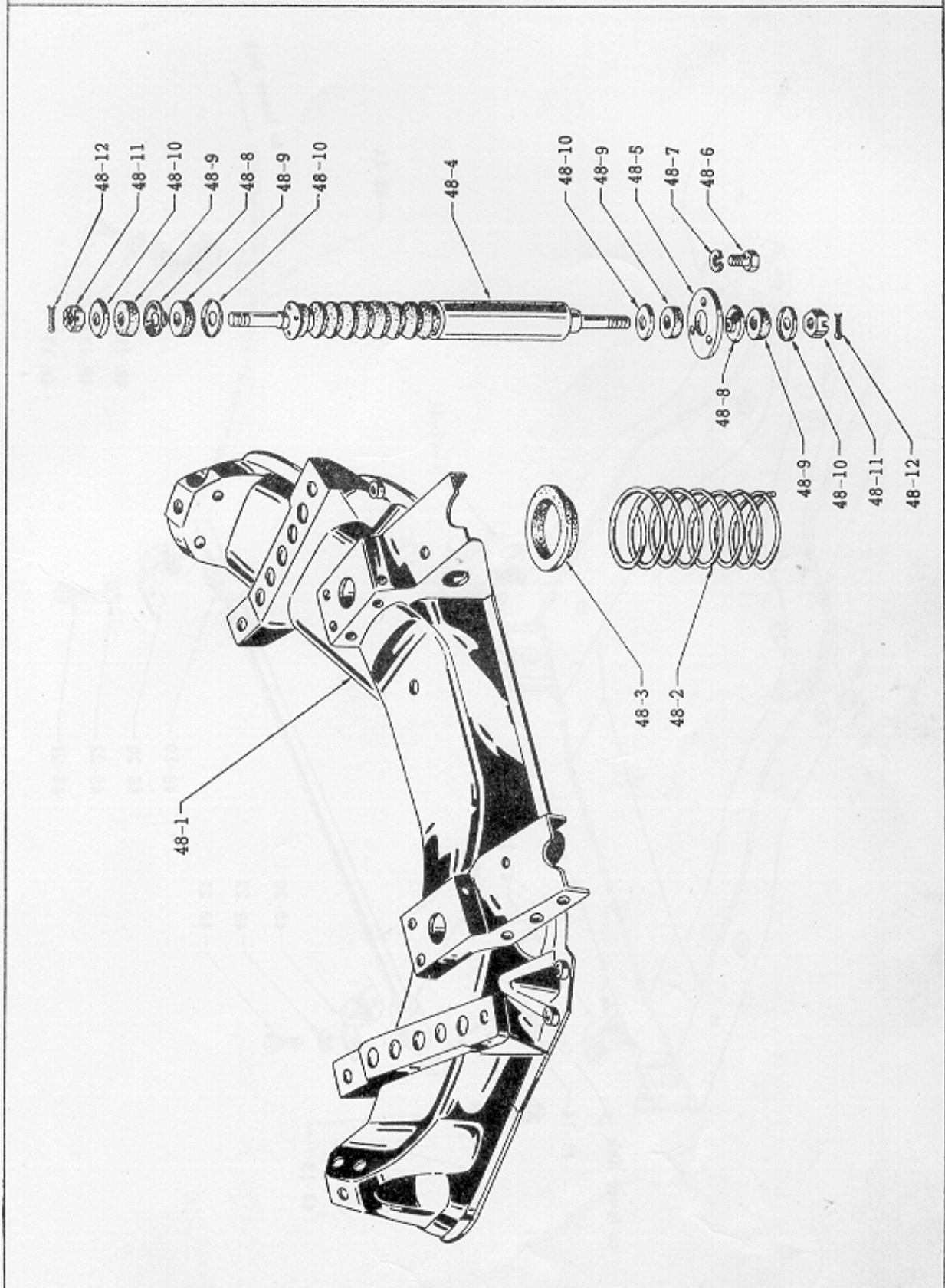
ILL. NO.	PART NO.	PART NAME	Q'TY PER SECTION	
			SP310	SPL310

FRAME

	o 50100-10400.....	ASS'Y-FRAME	1	-
	o 50100-10500.....	ASS'Y-FRAME	-	1
47-1	51010-09400.....	ASS'Y-MEMBER, cross, front	1	1
47-2	54401-04102.....	ASS'Y-MEMBER, front suspension.....	1	1
47-3	o 51060-10400.....	ASS'Y-MEMBER	1	1
47-4	o 51030-10400.....	ASS'Y-MEMBER, 3 rd cross	1	1
47-5	o 51050-10400.....	ASS'Y-MEMBER, 4 th cross	1	-
	o 51050-10500.....	ASS'Y-MEMBER, 4 th cross	-	1
47-6	o 55201-10400.....	ASS'Y-BRACKET, rear spring, front R.H.	1	1
47-7	o 55202-10400.....	ASS'Y-BRACKET, rear spring front L.H.	1	1
47-8	o 55205-10400.....	BRACKET-rear spring, rear R.H.	1	1
47-9	o 55206-10400.....	BRACKET-rear spring, rear L.H.	1	1
	1-14628.....	BOLT	6	6
	9-11146.....	NUT	2	2
	9-16216.....	WASHER-lock	6	6
47-10	54620-04200.....	ASS'Y-BRACKET, front stabilizer R.H.	1	1
47-11	54621-04200.....	ASS'Y-BRACKET, front stabilizer L.H.	1	1
47-12	o 11223-10401.....	SUPPORT-engine mounting, front R.H.	1	1
	o 11224-10401.....	SUPPORT-engine mounting, front L.H.	1	1
	o 20203-10400.....	BRACKET-exhaust tube clamp, C.	1	1
47-13	46269-04100.....	BRACKET-brake hose	3	3

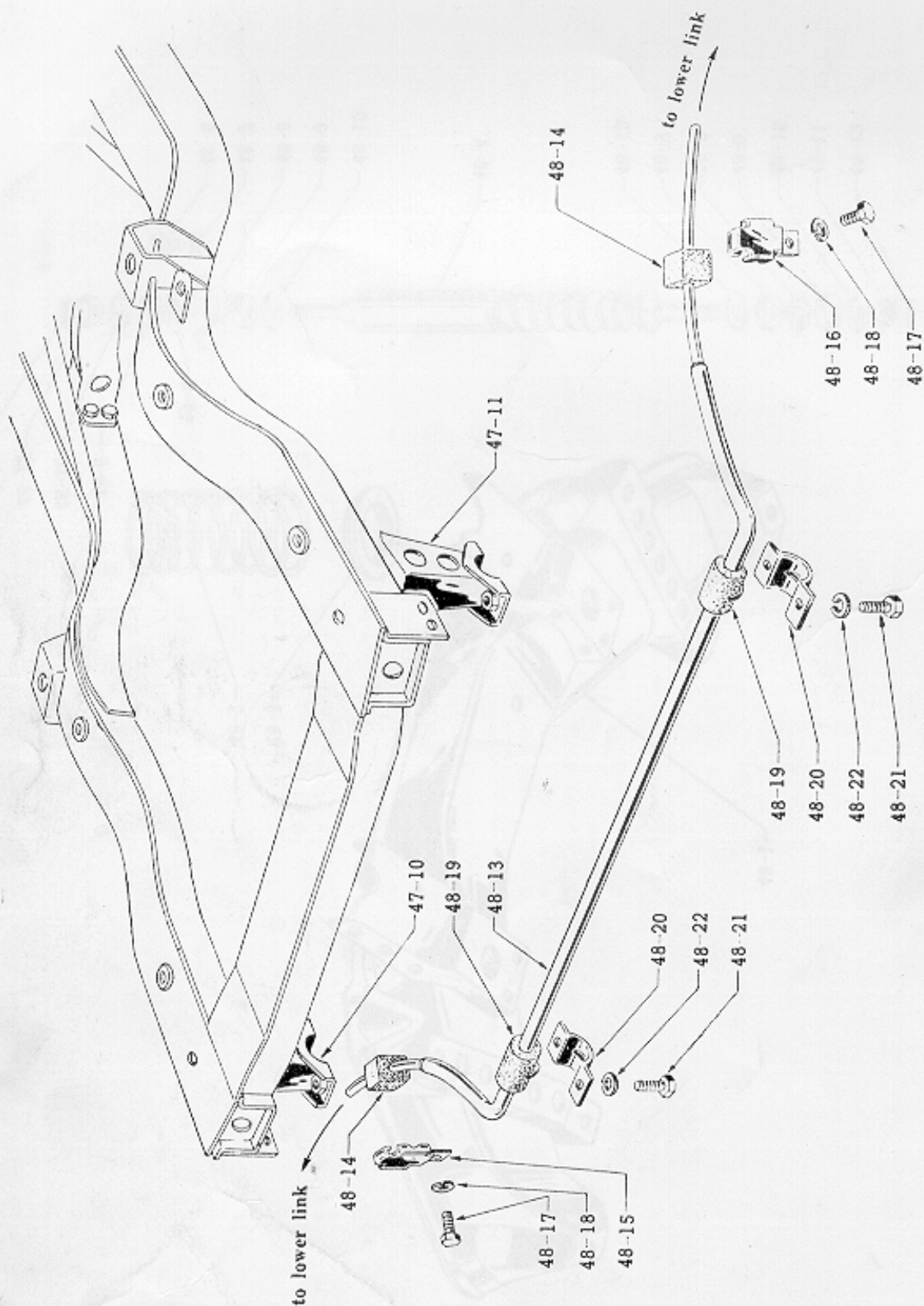
FRONT SUSPENSION MEMBER & SHOCK ABSORBER

Fig. 48



FRONT STABILIZER MOUNTING

Fig. 48-A



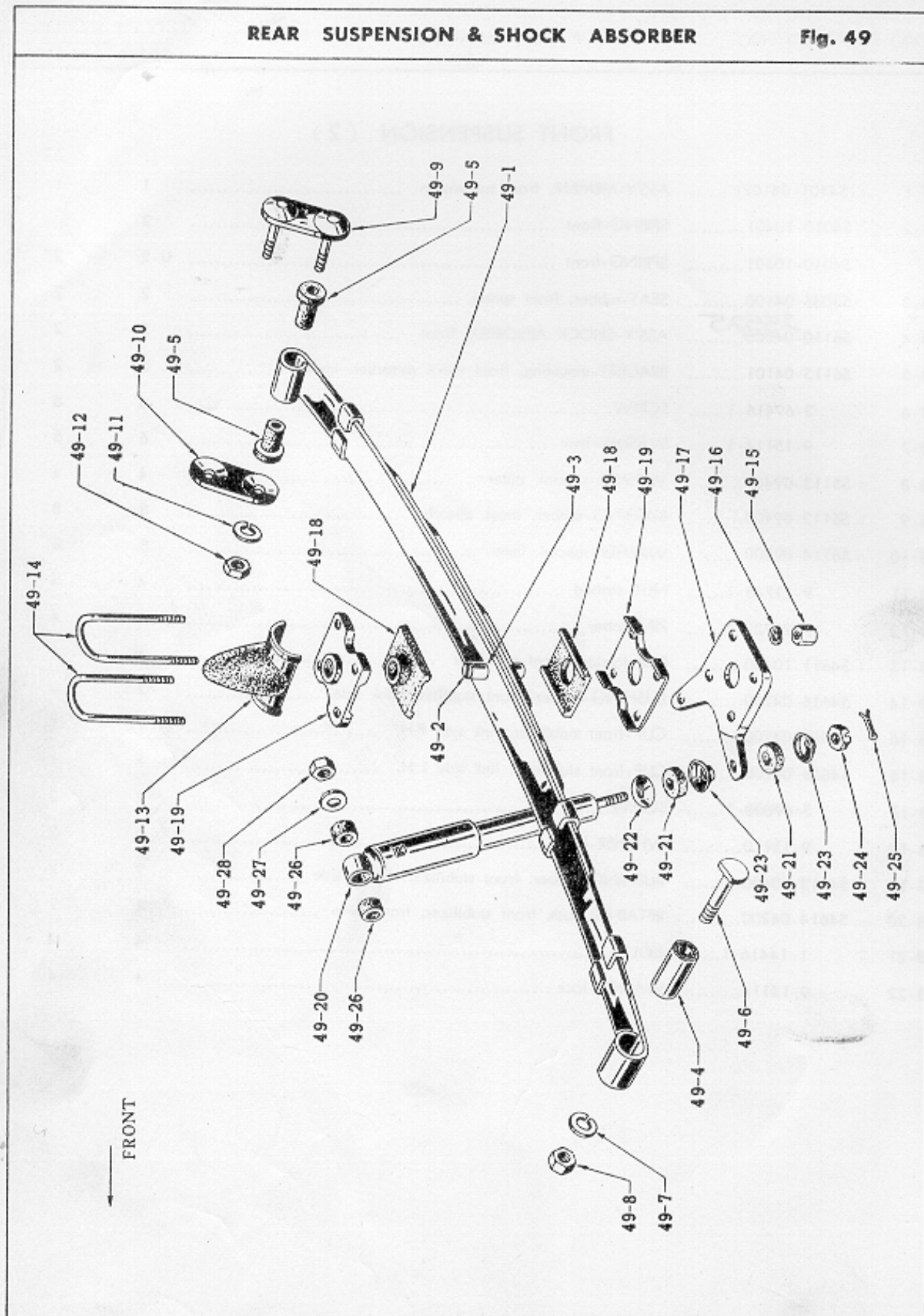
ILL. NO.	PART NO.	PART NAME	Q'TY PER SECTION	
			SP310	SPL310

FRONT SUSPENSION (2)

48-1	(54401-04102)	ASS'Y-MEMBER, front suspension	1	1
48-2	o 54010-10401.....	SPRING-front	2	-
	o 54010-10501.....	SPRING-front	U-2	2
48-3	54036-04100.....	SEAT-rubber, front spring	2	2
48-4	56110-04200.....	ASS'Y-SHOCK ABSORBER, front	2	2
48-5	56115-04101.....	BRACKET-mounting, front shock absorber, lower	2	2
48-6	3-69416-1.....	SCREW.....	6	6
48-7	9-15114-1.....	WASHER-lock	6	6
48-8	o 56113-09400.....	WASHER-special, outer	4	4
48-9	o 56112-09400.....	BUSHING-rubber, shock absorber	8	8
48-10	o 56114-09400.....	WASHER-special, inner	8	8
48-11	9-11746-1.....	NUT-slotted.....	4	4
48-12	9-21222-1.....	PIN-cotter	4	4
48-13	o 54611-10400.....	BAR-torsion, front stabilizer	1	1
48-14	54616-04200.....	BUSHING-rubber, front stabilizer, link side	2	2
48-15	54617-04200.....	CLIP-front stabilizer, link side R.H.	1	1
48-16	54618-04200.....	CLIP-front stabilizer, link side L.H.	1	1
48-17	3-69008-1.....	SCREW.....	2	2
48-18	9-15110.....	WASHER-lock	2	2
48-19	o 54613-10400.....	BUSHING-rubber, front stabilizer, frame side	2	2
48-20	54614-04200.....	RETAINER-bush, front stabilizer, frame side	2	2
48-21	1-14416-1.....	BOLT	4	4
48-22	9-15114.....	WASHER-lock	4	4

REAR SUSPENSION & SHOCK ABSORBER

Fig. 49



ILL. NO.	PART NO.	PART NAME	Q'TY PER SECTION	
			SP 310	SPL 310

REAR SUSPENSION

	55020-10400.....	ASS'Y-SPRING, rear.....	2	-
	55021-10400.....	LEAF-rear spring No. 1.....	2	-
	55022-10400.....	LEAF-rear spring No. 2.....	2	-
	55057-10400.....	BOLT-center.....	2	-
49-1	o 55020-10500.....	ASS'Y-SPRING, rear.....	U-2	2
	o 55021-10500.....	LEAF-rear spring No. 1.....	U-2	2
	o 55022-10500.....	LEAF-rear spring No. 2.....	U-2	2
	o 55023-10500.....	LEAF-rear spring No. 3.....	U-2	2
	o 55024-10500.....	LEAF-rear spring No. 4.....	U-2	2
49-2	o 55057-10500.....	BOLT-center.....	U-2	2
49-3	55056-04100.....	PIECE-distance, center bolt nut.....	2	2
	9-99204.....	NUT.....	2	2
49-4	55045-04100.....	BUSHING-rear spring.....	2	2
49-5	55046-04100.....	BUSHING-rubber, rear spring, rear (black rubber).....	8	8
49-6	55224-04100.....	PIN-rear spring, front.....	2	2
49-7	9-15117-1.....	WASHER-lock.....	2	2
49-8	9-11147-1.....	NUT.....	2	2
49-9	55220-04100.....	ASS'Y-SHACKLE, rear spring.....	2	2
49-10	55221-04100.....	SHACKLE-rear spring.....	2	2
49-11	9-15117-1.....	WASHER-lock.....	4	4
49-12	9-11147-1.....	NUT.....	4	4
49-13	55240-04102.....	ASS'Y-BUMPER, rear axle.....	2	2
49-14	o 55247-10400.....	CLIP-rear spring.....	4	-
	o 55247-10500.....	CLIP-rear spring.....	U-4	4
49-15	9-11546-1.....	NUT.....	8	8
49-16	9-15216-1.....	WASHER-lock.....	8	8
49-17	55262-04102.....	SEAT-rear spring R.H.....	1	1
	55266-04102.....	SEAT-rear spring L.H.....	1	1
49-18	55243-04100.....	PAD-seating, rear spring.....	4	4
49-19	55054-04101.....	PLATE-locating, rear spring.....	4	4
49-20	56210-04200.....	ASS'Y-SHOCK ABSORBER, rear.....	2	2
49-21	o 56117-09400.....	BUSHING-rubber, shock absorber.....	4	4

ILL. NO.	PART NO.	PART NAME	Q'TY PER SECTION	
			SP 310	SPL 310
49-22	◦ 56113-09400.....	WASHER-special, outer	2	2
49-23	◦ 56114-09400.....	WASHER-special, inner	4	4
49-24	9-11746-1.....	NUT	2	2
49-25	9-21222-1.....	PIN-cotter	2	2
49-26	56127-45460.....	BUSHING-rubber, shock absorber	4	4
49-27	56229-04100.....	WASHER-special	2	2
49-28	9-12350-1.....	NUT-lock.....	2	2