

ILL. NO.	PART NO.	PART NAME	Q'TY PER SECTION	
			SP310	SPL310

## TONNEAU COVER

73150-10400.....	COVER-tonneau .....	1	-
73150-10500.....	COVER-tonneau .....	-	1

## BODY MOUNTING

o 95190-10400.....	FELT-body mounting " A " .....	6	6
o 95191-10400.....	FELT-body mounting " B " .....	5	5
o 95155-10400.....	SHIM-body mounting " C " .....	14	14
95144-04100.....	ASS'Y-NUT, body mounting .....	8	8
1-14630-1.....	BOLT .....	8	8
1-14835-1.....	BOLT .....	6	6
9-12548-1.....	NUT.....	2	2
9-15516-1.....	WASHER-plain.....	8	8
9-15116.....	WASHER-lock .....	8	8
9-15518-1.....	WASHER-plain .....	8	8
9-15118.....	WASHER-lock .....	6	6

**B O D Y**

**B O D Y**

# B O D Y

— 127 —

ILL. NO.	PART NO.	PART NAME	Q'TY PER SECTION	
			SP310	SPL310

## FRONT APRON & BUMPER

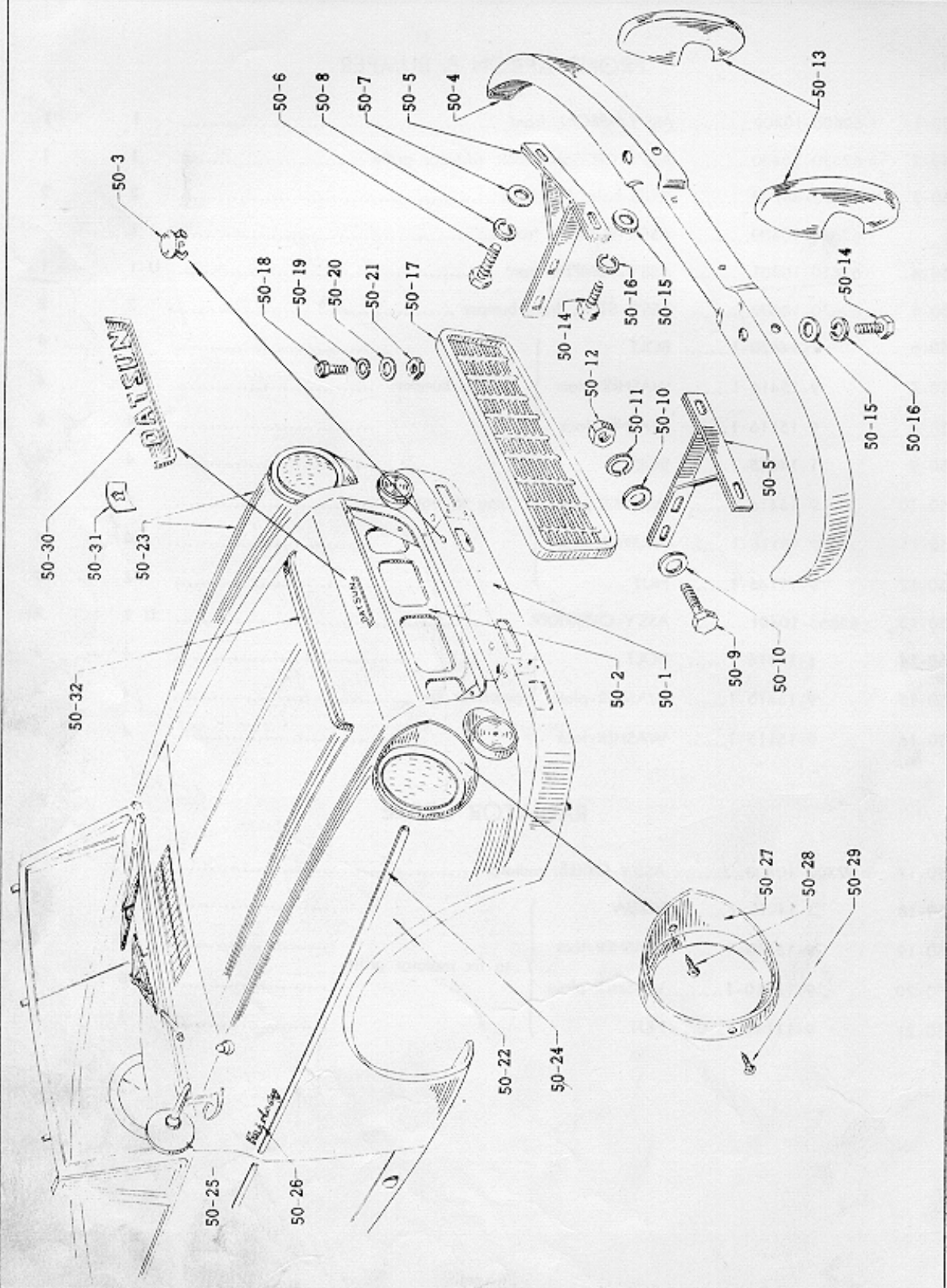
50-1	◊ 62600-10400.....	ASS'Y-APRON, front .....	1	1
50-2	◊ 62330-10400.....	ASS'Y-CROSSMEMBER, radiator grille .....	1	1
50-3	◊ 62672-36700.....	PLUG-hole, fog lamp .....	2	2
	◊ 62650-10400.....	ASS'Y-BUMBER, front .....	1	-
50-4	◊ 62650-10401.....	ASS'Y-BUMBER, front .....	U-1	<u>1</u>
50-5	◊ 62670-10400.....	ASS'Y-STAY, front bumper .....	2	2
50-6	1-14620-1.....	BOLT	4	4
50-7	9-15416-1.....	WASHER-plain } stay to bumper .....	4	4
50-8	9-15116-1.....	WASHER-lock } .....	4	4
50-9	1-14625-1.....	BOLT	4	4
50-10	9-15416-1.....	WASHER-plain } stay to frame .....	4	4
50-11	9-15116-1.....	WASHER-lock } .....	4	4
50-12	9-11146-1.....	NUT	4	4
50-13	◊ 62663-10401.....	ASS'Y-OVERRIDE .....	U-2	2
50-14	1-14516-1.....	BOLT	4	4
50-15	9-15415-1.....	WASHER-plain } override fix .....	4	4
50-16	9-15115-1.....	WASHER-lock } .....	4	4

## RADIATOR GRILLE

50-17	◊ 62300-10400.....	ASS'Y-GRILLE, radiator .....	1	1
50-18	3-14012-1.....	SCREW	5	5
50-19	9-15110-1.....	WASHER-lock } to fix radiator grille .....	5	5
50-20	9-15410-1.....	WASHER-plain } .....	8	8
50-21	9-11140-1.....	NUT	3	3

BODY FRONT

Fig. 50



ILL. NO.	PART NO.	PART NAME	Q'TY PER SECTION	
			SP 310	SPL 310

## FRONT FENDER

50-22	o 63100-10430.....	ASS'Y-FENDER, front R.H. ....	1	1
50-23	o 63101-10430.....	ASS'Y-FENDER, front L.H. ....	1	1
	3-44412-1.....	SCREW	32	32
	74340-12161.....	WASHER-special 6 φ	32	32
	9-15114-1.....	WASHER-lock	32	32
	9-11144-1.....	NUT	32	32
	1-14516-1.....	BOLT	2	2
	9-15415-1.....	WASHER-plain	2	2
	9-14645-1.....	NUT.....	2	2
	1-14516-1.....	BOLT	2	2
	9-15415-1.....	WASHER-plain.....	2	2
50-24	o 63801-10400 <sup>12900</sup>	ASS'Y-SIDE FLASH, front fender R.H. ....	1	1
	o 63802-10400 <sup>12905</sup>	ASS'Y-SIDE FLASH, front fender L.H. ....	1	1
50-25	96301-35000.....	ASS'Y-BACK MIRROR, outside	1	-
	o 96301-10500.....	ASS'Y-BACK MIRROR, outside	U-1	1
50-26	63805-04700.....	EMBLEM-side (Zn die cast)	2	2
	PFS-104.....	NUT-spire	6	6
50-27	o 63821-10400.....	RIM-head lamp R.H. ....	1	1
	o 63822-10400.....	RIM-head lamp L.H. ....	1	1
50-28	5-30610-2.....	SCREW-tapping	2	2
50-29	5-10607-2.....	SCREW-tapping	2	2
50-30	o 65801-10400.....	EMBLEM-hood top (Zn die cast)	1	1
50-31	PFS-106	NUT-spire	3	3
50-32	o 65810-10400.....	FLASH-hood.....	1	1



ILL. NO.	PART NO.	PART NAME	Q'TY PER SECTION	
			SP310	SPL310

## FRONT FENDER

50-22	o 63100-10430	ASS'Y-FENDER, front R.H.	1	1
50-23	o 63101-10430	ASS'Y-FENDER, front L.H.	1	1
	3-44412-1	SCREW	32	32
	74340-12161	WASHER-special 6 φ	32	32
	9-15114-1	WASHER-lock	32	32
	9-11144-1	NUT	32	32
	1-14516-1	BOLT	2	2
	9-15415-1	WASHER-plain	2	2
	9-14645-1	NUT	2	2
	1-14516-1	BOLT	2	2
	9-15415-1	WASHER-plain	2	2
50-24	o 63801-10400 <sup>12900</sup>	ASS'Y-SIDE FLASH, front fender R.H.	1	1
	o 63802-10400 <sup>12900</sup>	ASS'Y-SIDE FLASH, front fender L.H.	1	1
50-25	96301-35000	ASS'Y-BACK MIRROR, outside	1	-
	o 96301-10500	ASS'Y-BACK MIRROR, outside	U-1	1
50-26	63805-04700	EMBLEM-side (Zn die cast)	2	2
	PFS-104	NUT-spire	6	6
50-27	o 63821-10400	RIM-head lamp R.H.	1	1
	o 63822-10400	RIM-head lamp L.H.	1	1
50-28	5-30610-2	SCREW-tapping	2	2
50-29	5-10607-2	SCREW-tapping	2	2
50-30	o 65801-10400	EMBLEM-hood top (Zn die cast)	1	1
50-31	PFS-106	NUT-spire	3	3
50-32	o 65810-10400	FLASH-hood	1	1

ILL. NO.	PART NO.	PART NAME	Q'TY PER SECTION	
			SP 310	SPL 310

**RADIATOR CORE SUPPORT**

51-1	o 62506-10400.....	ASS'Y-CHANNEL, radiator core support .....	2	2
	1-14520-1.....	BOLT .....	4	4
	9-15115-1.....	WASHER-lock } channel to body .....	4	4
	9-15515-1.....	WASHER-plain } .....	4	4
	1-14524-1.....	BOLT .....	4	4
	9-15115-4.....	WASHER-lock } radiator mounting .....	4	4
	9-15515-1.....	WASHER-plain } .....	4	4

**HOOD LEDGE**

	o 64100-10430.....	ASS'Y-HOOD LEDGE R.H. ....	1	-
	o 64100-10530.....	ASS'Y-HOOD LEDGE R.H. ....	-	1
51-2	o 64101-10430.....	ASS'Y-HOOD LEDGE L.H. ....	1	1
	o 62504-10400.....	PANEL-radiator core support R.H. ....	1	1
51-3	o 62505-10400.....	PANEL-radiator core support L.H. ....	1	1

**HOOD**

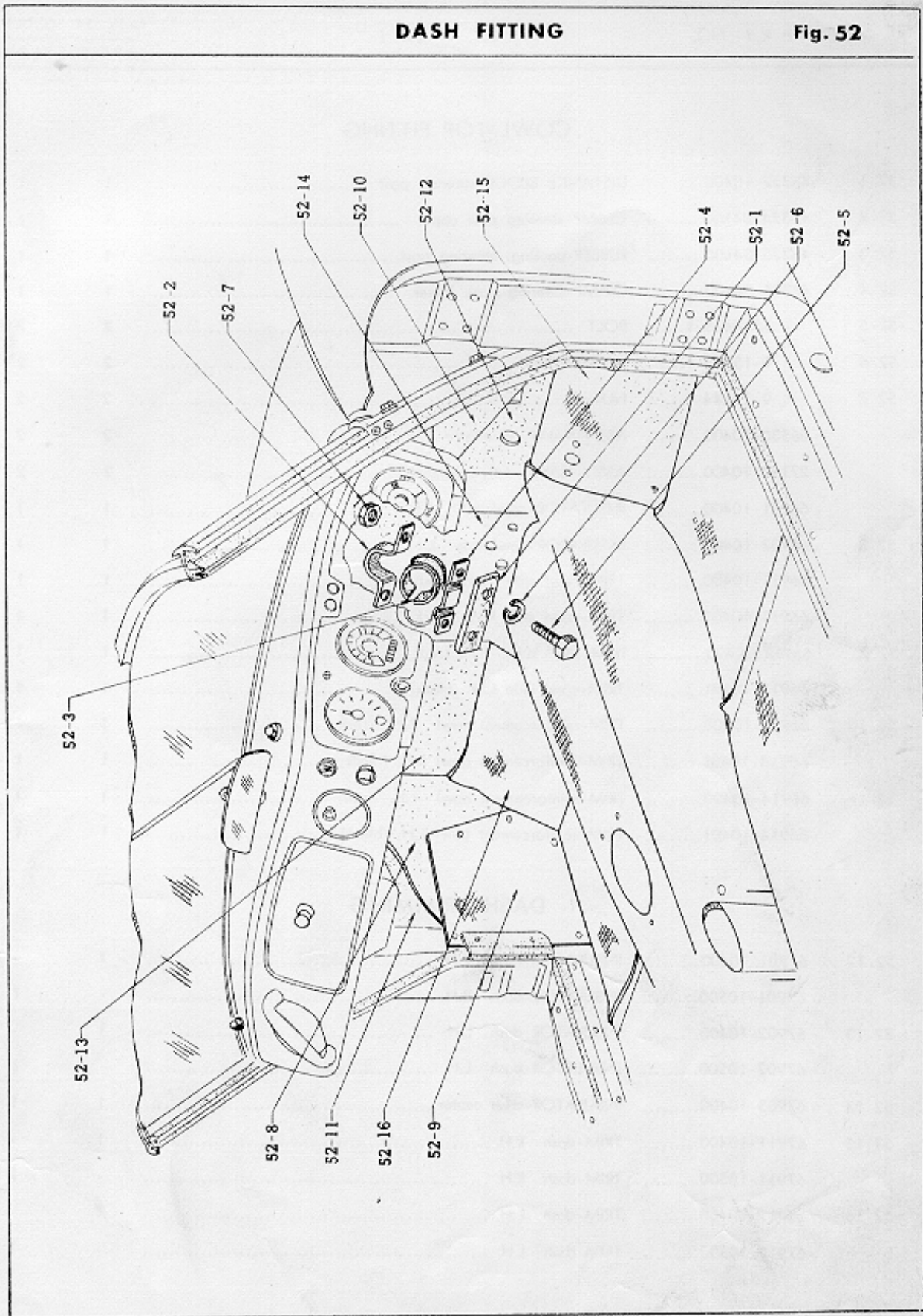
51-4	o 65100-10430.....	ASS'Y-HOOD .....	1	1
51-5	o 65405-10400.....	HINGE-hood .....	2	2
51-6	65409-04100.....	PIN-hinge, hood .....	2	2
51-7	9-11144-1.....	NUT.....	4	4
51-8	1-14516-1.....	BOLT .....	4	4
51-9	9-15115-1.....	WASHER-lock } hinge to hood reinforce .....	4	4
51-10	9-15415-1.....	WASHER-plain } .....	4	4
51-11	o 65701-10400.....	ASS'Y-ROD, hood support .....	1	1
51-12	65846-43700.....	PACKING-hood support .....	2	2
51-13	9-15514-1.....	WASHER-plain .....	1	1
51-14	9-21215-1.....	PIN-cotter .....	1	1



ILL. NO.	PART NO.	PART NAME	Q'TY PER SECTION	
			SP 310	SPL 310
51-15	65158-04100.....	BUMPER-hood side .....	4	4
51-16	65617-10400.....	ASS'Y-LOCK, hood.....	1	-
	65617-00800.....	ASS'Y-LOCK, hood.....	-	1
51-17	65630-01300.....	PLATE-dovetail bolt guide .....	1	1
51-18	1-14412-1.....	BOLT .....	2	2
51-19	9-16314-1.....	WASHER-lock .....	2	2
51-20	65645-10400.....	ASS'Y-WIRE, hood lock .....	1	1
51-21	66503-05000.....	KNOB-cowl ventilator lever .....	1	1
51-22	9-51106.....	GROMMET-rubber .....	1	1
51-23	65601-01300.....	ASS'Y-MALE, hood lock .....	1	1
51-24	1-14412-1.....	BOLT .....	2	2
51-25	9-15414-1.....	WASHER-plain .....	2	2
51-26	9-15114-1.....	WASHER-lock .....	2	2
51-27	66305-10400.....	GRILLE-cowl top .....	1	1
51-28	5-30613-2.....	SCREW-tapping .....	6	6

DASH FITTING

Fig. 52



ILL. NO.	PART NO.	PART NAME	Q'TY PER SECTION	
			SP 310	SPL 310

## COWL TOP FITTING

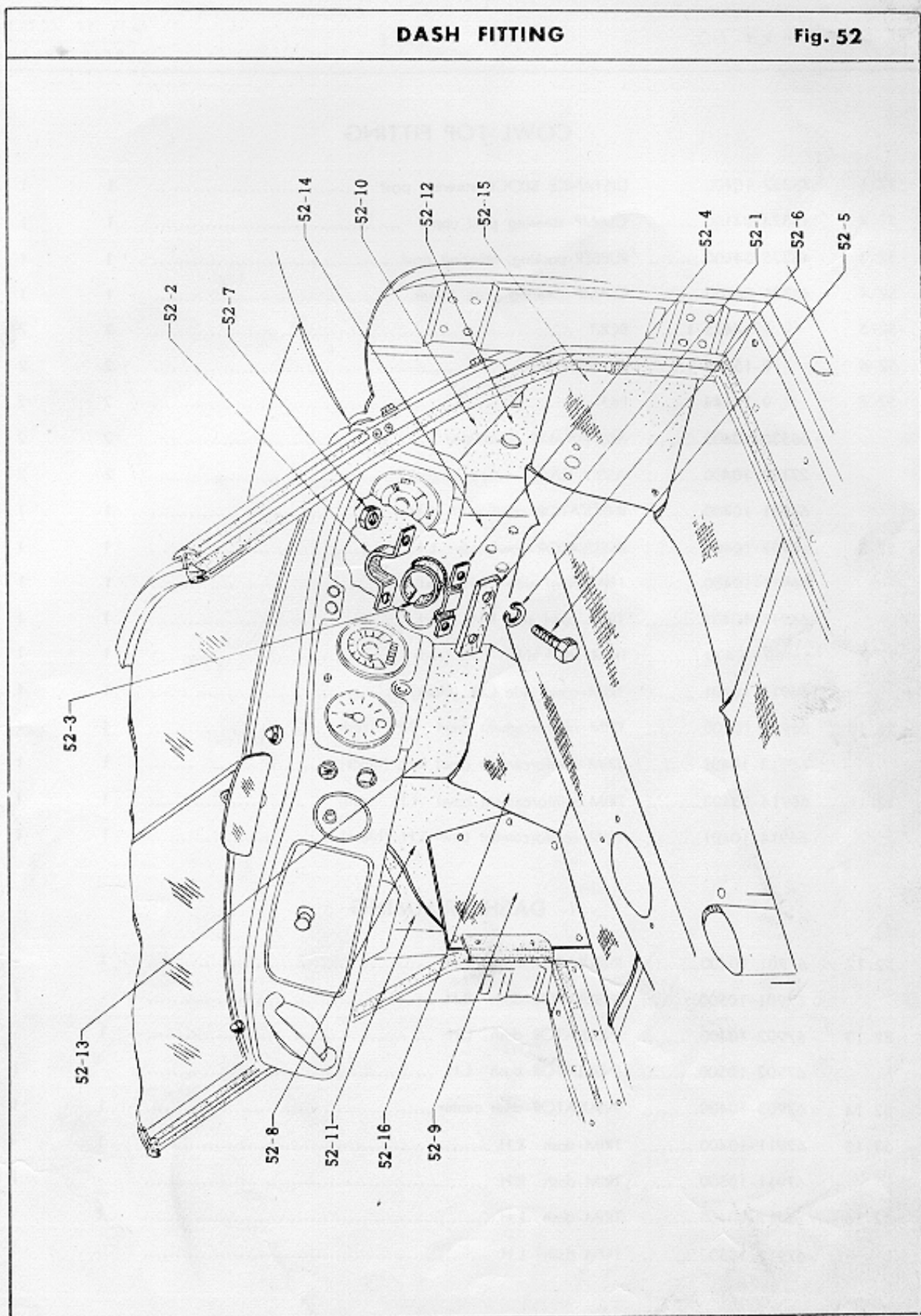
52-1	48322-10400.....	DISTANCE BLOCK-steering post .....	1	1
52-2	48324-04100.....	CLAMP-steering post upper .....	1	1
52-3	48325-04100.....	RUBBER-packing, steering post.....	1	1
52-4	48326-04100.....	CLAMP-steering post, lower .....	1	1
52-5	1-14425-1.....	BOLT .....	2	2
52-6	9-15114-1.....	WASHER-lock .....	2	2
52-7	9-11144-1.....	NUT.....	2	2
	66530-10400.....	ASS'Y-VALVE, ventilator .....	2	2
	27130-10400.....	ASS'Y-CAELE, valve control .....	2	2
	66901-10400.....	INSULATOR-cowl side R.H. ....	1	1
52-8	66902-10400.....	INSULATOR-cowl side L.H. ....	1	1
	66911-10400.....	TRIM-cowl side R.H. (red) .....	1	1
	66911-10401.....	TRIM-cowl side R.H. (black) .....	1	1
52-9	66912-10400.....	TRIM-cowl side L.H. (red) .....	1	1
	66912-10401.....	TRIM-cowl side L.H. (black) .....	1	1
52-10	66913-10400.....	TRIM-reinforcement cowl R.H. (red) .....	1	1
	66913-10401.....	TRIM-reinforcement cowl R.H. (black).....	1	1
52-11	66914-10400.....	TRIM-reinforcement cowl L.H. (red) .....	1	1
	66914-10401.....	TRIM-reinforcement cowl L.H. (black).....	1	1

## DASH TRIMMING

52-12	67901-10400.....	INSULATOR-dash R.H. ....	1	-
	67901-10500.....	INSULATOR-dash R.H. ....	-	1
52-13	67902-10400.....	INSULATOR-dash L.H. ....	1	-
	67902-10500.....	INSULATOR-dash L.H. ....	-	1
52-14	67903-10400.....	INSULATOR-dash center .....	1	1
52-15	67911-10400.....	TRIM-dash R.H. ....	1	-
	67911-10500.....	TRIM-dash R.H. ....	-	1
52-16	67912-10400.....	TRIM-dash L.H. ....	1	-
	67912-10500.....	TRIM-dash L.H. ....	-	1

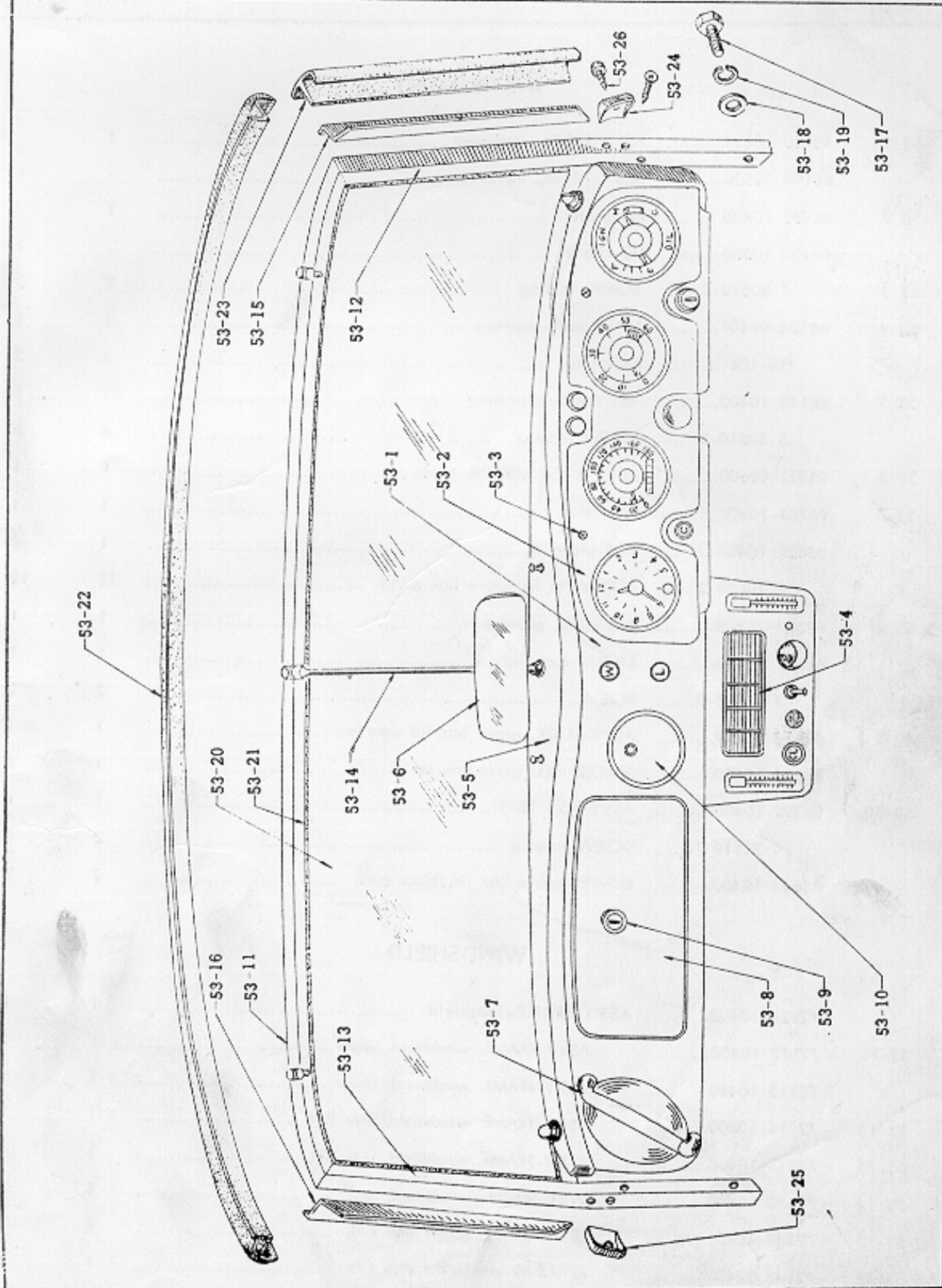
### DASH FITTING

Fig. 52



### INSTRUMENT & WINDSHIELD FITTING

Fig. 53



ILL. NO.	PART NO.	PART NAME	Q'TY PER SECTION	
			SP 310	SPL 310

## INSTRUMENT

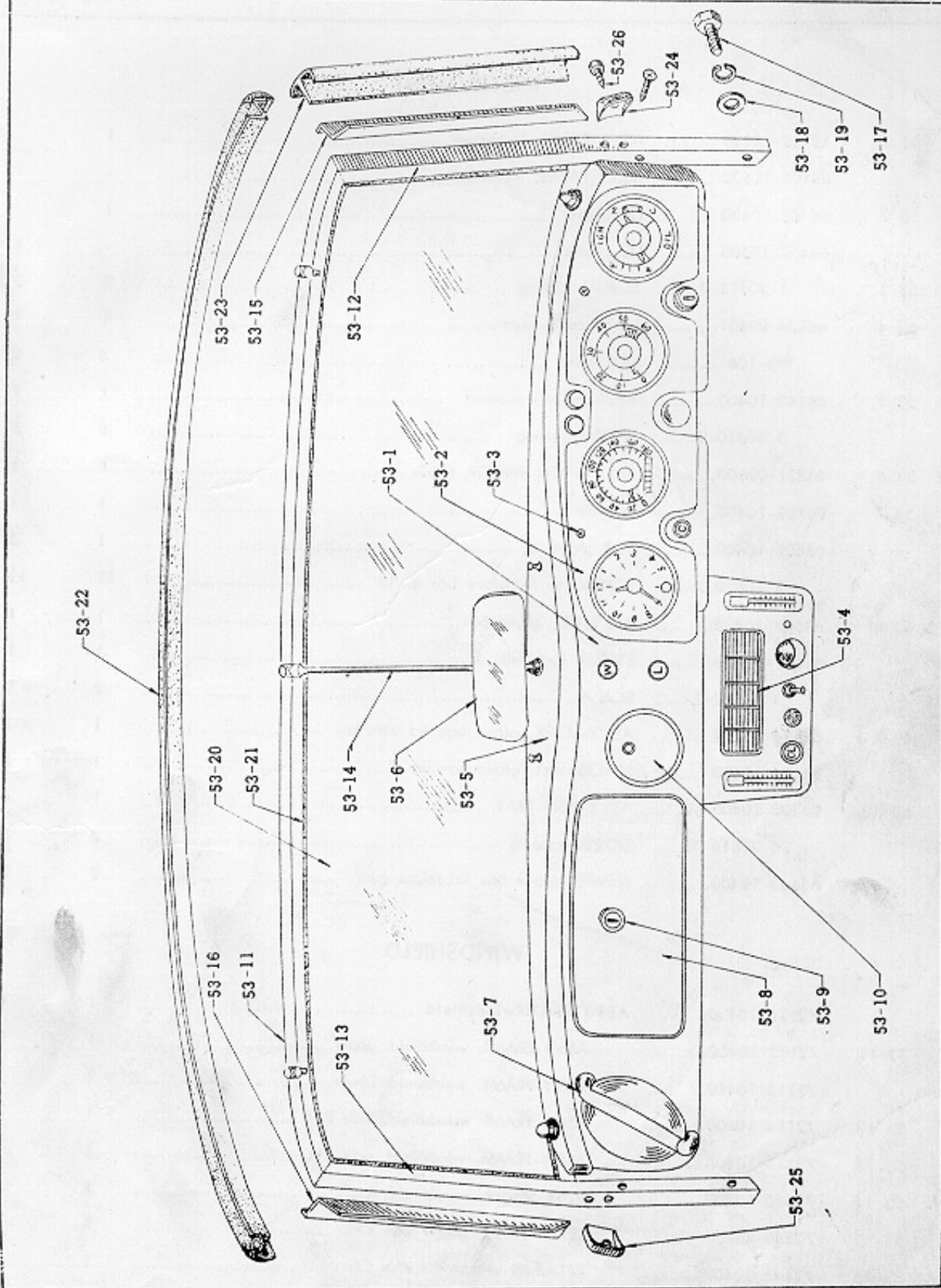
53-1	68100-10430.....	ASS'Y-PANEL, instrument .....	1	-
	68100-10530.....	ASS'Y-PANEL, instrument .....	-	1
53-2	68452-10400.....	LID-cluster .....	1	-
	68452-10500.....	LID-cluster .....	-	1
53-3	5-30610-2.....	SCREW-tapping .....	2	2
53-4	68134-09401.....	MASK-radio aperture .....	1	1
	PFS-106 .....	NUT-spire .....	2	2
53-5	68140-10400.....	ASS'Y-PAD, instrument .....	1	1
	5-30610-2.....	SCREW-tapping .....	6	6
53-6	96321-08600.....	ASS'Y-BACK MIRROR, inside .....	1	1
53-7	96702-10400.....	RAIL-assist .....	1	1
	68601-10400.....	BOX-glove .....	1	1
	5-10810-2.....	SCREW (to fix glove box & lid) .....	12	12
53-8	68607-10400.....	ASS'Y-LID, glove box .....	1	1
	68639-10400.....	STRIKER-lock, lid .....	1	1
	3-14012-2.....	SCREW.....	2	2
53-9	68630-32202.....	ASS'Y-LOCK, glove box lid with key .....	1	1
	68638-10400.....	SPACER-lock, glove box lid .....	1	1
53-10	96500-10400.....	ASS'Y-ASH TRAY.....	1	1
	5-20610-1.....	SCREW-tapping .....	2	2
	68643-10400.....	BUMPER-glove box lid (black gum) .....	2	2

## WINDSHIELD

	72110-10400.....	ASS'Y-FRAME windshield .....	1	1
53-11	72112-10400.....	ASS'Y-FRAME, windshield, upper.....	1	1
	72113-10400.....	ASS'Y-FRAME, windshield, lower.....	1	1
53-12	72114-10400.....	ASS'Y-FRAME, windshield, side R.H. ....	1	1
53-13	72115-10400.....	ASS'Y-FRAME, windshield, side L.H. ....	1	1
53-14	72510-10400.....	WIRE-tension, windshield .....	1	1
53-15	72145-10400.....	RETAINER-windshield side R.H. ....	1	1
53-16	72146-10400.....	RETAINER-windshield side L.H. ....	1	1

### INSTRUMENT & WINDSHIELD FITTING

Fig. 53



ILL. NO.	PART NO.	PART NAME	Q'TY PER SECTION	
			SP310	SPL310

## INSTRUMENT

53-1	68100-10430.....	ASS'Y-PANEL, instrument.....	1	-
	68100-10530.....	ASS'Y-PANEL, instrument.....	-	1
53-2	68452-10400.....	LID-cluster.....	1	-
	68452-10500.....	LID-cluster.....	-	1
53-3	5-30610-2.....	SCREW-tapping.....	2	2
53-4	68134-09401.....	MASK-radio aperture.....	1	1
	PFS-106.....	NUT-spire.....	2	2
53-5	68140-10400.....	ASS'Y-PAD, instrument.....	1	1
	5-30610-2.....	SCREW-tapping.....	6	6
53-6	96321-08600.....	ASS'Y-BACK MIRROR, inside.....	1	1
53-7	96702-10400.....	RAIL-assist.....	1	1
	68601-10400.....	BOX-glove.....	1	1
	5-10810-2.....	SCREW (to fix glove box & lid).....	12	12
53-8	68607-10400.....	ASS'Y-LID, glove box.....	1	1
	68639-10400.....	STRIKER-lock, lid.....	1	1
	3-14012-2.....	SCREW.....	2	2
53-9	68630-32202.....	ASS'Y-LOCK, glove box lid with key.....	1	1
	68638-10400.....	SPACER-lock, glove box lid.....	1	1
53-10	96500-10400.....	ASS'Y-ASH TRAY.....	1	1
	5-20610-1.....	SCREW-tapping.....	2	2
	68643-10400.....	BUMPER-glove box lid (black gum).....	2	2

## WINDSHIELD

	72110-10400.....	ASS'Y-FRAME windshield.....	1	1
53-11	72112-10400.....	ASS'Y-FRAME, windshield, upper.....	1	1
	72113-10400.....	ASS'Y-FRAME, windshield, lower.....	1	1
53-12	72114-10400.....	ASS'Y-FRAME, windshield, side R.H.....	1	1
53-13	72115-10400.....	ASS'Y-FRAME, windshield, side L.H.....	1	1
53-14	72510-10400.....	WIRE-tension, windshield.....	1	1
53-15	72145-10400.....	RETAINER-windshield side R.H.....	1	1
53-16	72146-10400.....	RETAINER-windshield side L.H.....	1	1



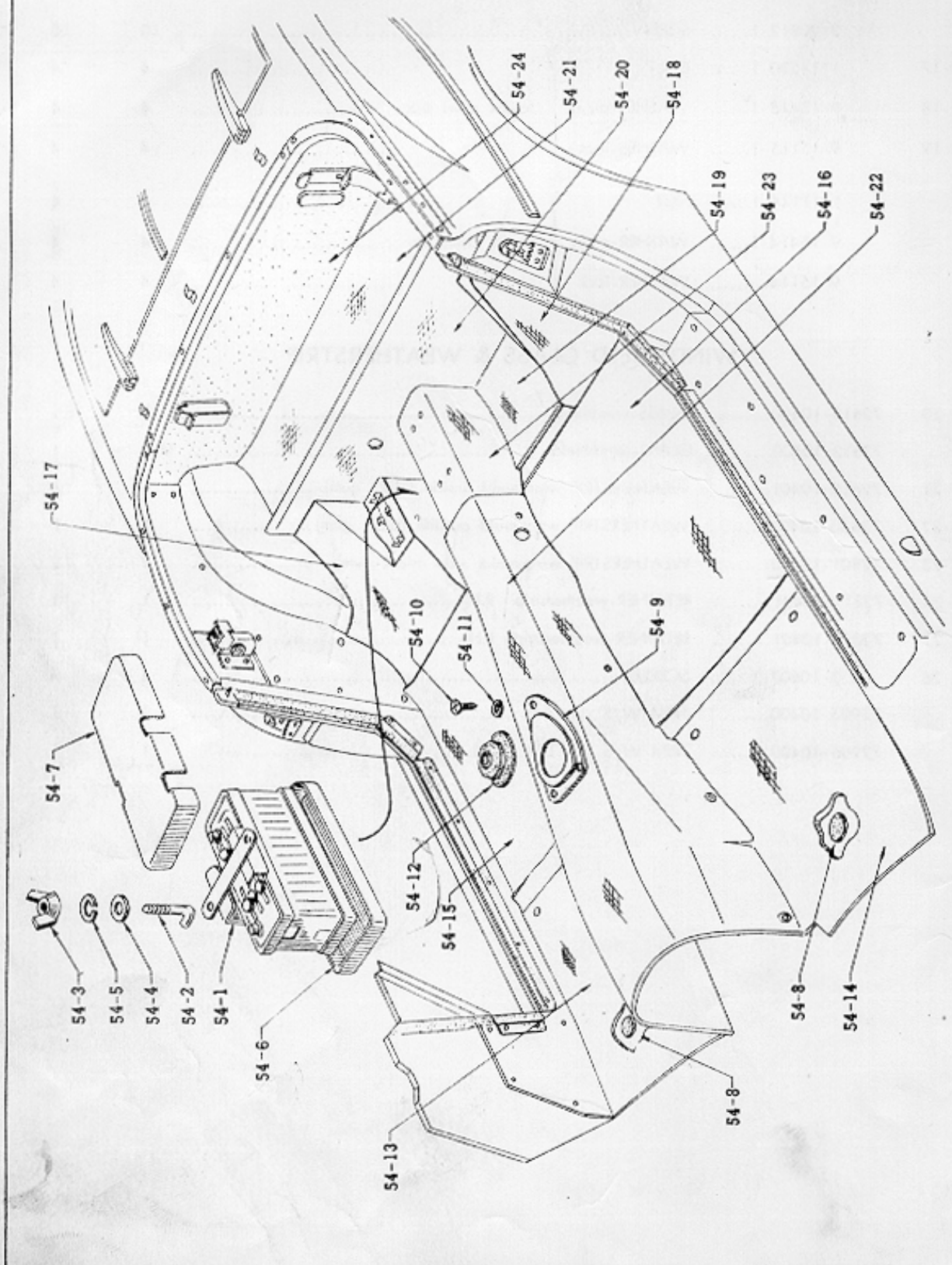
ILL. NO.	PART NO.	PART NAME	Q'TY PER SECTION	
			SP310	SPL310
	3-20812-1.....	SCREW.....	10	10
53-17	1-14530-1.....	BOLT	4	4
53-18	9-15415-1.....	WASHER-plain } to fix cowl side	4	4
53-19	9-15115-1.....	WASHES-lock } .....	4	4
	9-11144-1.....	NUT	4	4
	9-15414-1.....	WASHER-plain } to fix cowl top	4	4
	9-15114.....	WASHER-lock } .....	4	4

**WINDSHIELD GLASS & WEATHERSTRIP**

53-20	72613-10400.....	GLASS-windshield .....	1	-
	72613-10500.....	GLASS-windshield .....	U-1	1
53-21	72610-10401.....	WEATHERSTRIP-windshield, inside (black gum) .....	1	1
53-22	72620-10401.....	WEATHERSTRIP-windshield outside (black gum).....	1	1
53-23	72801-10400.....	WEATHERSTRIP-windshield, side (black gum) .....	2	2
53-24	72811-10401.....	RETAINER-weatherstrip R.H. ....	1	1
53-25	72812-10401.....	RETAINER-weatherstrip L.H. ....	1	1
53-26	5-10607-1.....	SCREW.....	4	4
	72905-10400.....	TRIM-W/S side R.H. ....	1	1
	72906-10400.....	TRIM-W/S side L.H. ....	1	1

### FLOOR FITTING

Fig. 54



ILL. NO.	PART NO.	PART NAME	Q'TY PER SECTION	
			SP310	SPL310

## FLOOR FITTING

54-1	o 24420-10400.....	ASS'Y-SUPPORT, battery .....	1	1
54-2	o 24423-10400.....	ROD-battery support .....	2	2
54-3	9-13444-1.....	NUT-wing "A" .....	2	2
54-4	9-15414-1.....	WASHER-plain .....	2	2
54-5	9-15114-1.....	WASHER-lock .....	2	2
54-6	o 24423-09400.....	TRAY-battery .....	1	1
54-7	o 24425-10400.....	COVER-battery .....	1	1
54-8	o 74942-10400.....	PLUG-rubber / .....	3	3
54-9	o 74760-10400.....	COVER-tunnel, control lever .....	1	1
54-10	3-14412-2.....	SCREW } to fix floor .....	3	3
54-11	9-15414-2.....	WASHER-plain } .....	3	3
54-12	32869-03200.....	DUST SHIELD-change lever .....	1	1
54-13	o 74921-10400.....	TRIM-floor "A" R.H. ....	1	1
54-14	o 74922-10400.....	TRIM-floor "A" L.H. ....	1	1
54-15	o 74923-10400.....	TRIM-floor "B" R.H. ....	1	1
54-16	o 74924-10400.....	TRIM-floor "B" L.H. ....	1	1
54-17	o 74925-10400.....	TRIM-floor "C" R.H. ....	1	1
54-18	o 74926-10400.....	TRIM-floor "C" L.H. ....	1	1
54-19	o 74927-10400.....	TRIM-floor "D" .....	1	1
54-20	o 74928-10400.....	TRIM-floor "E" .....	1	1
54-21	o 74929-10400.....	TRIM-floor "F" .....	1	1
54-22	o 74930-10400.....	TRIM-tunnel, front .....	1	1
54-23	o 74931-10400.....	TRIM-tunnel, rear .....	1	1
54-24	o 79901-10400.....	TRIM-tunnel, end .....	1	1
	o 99950-10400.....	COVER-hand brake lever .....	1	1



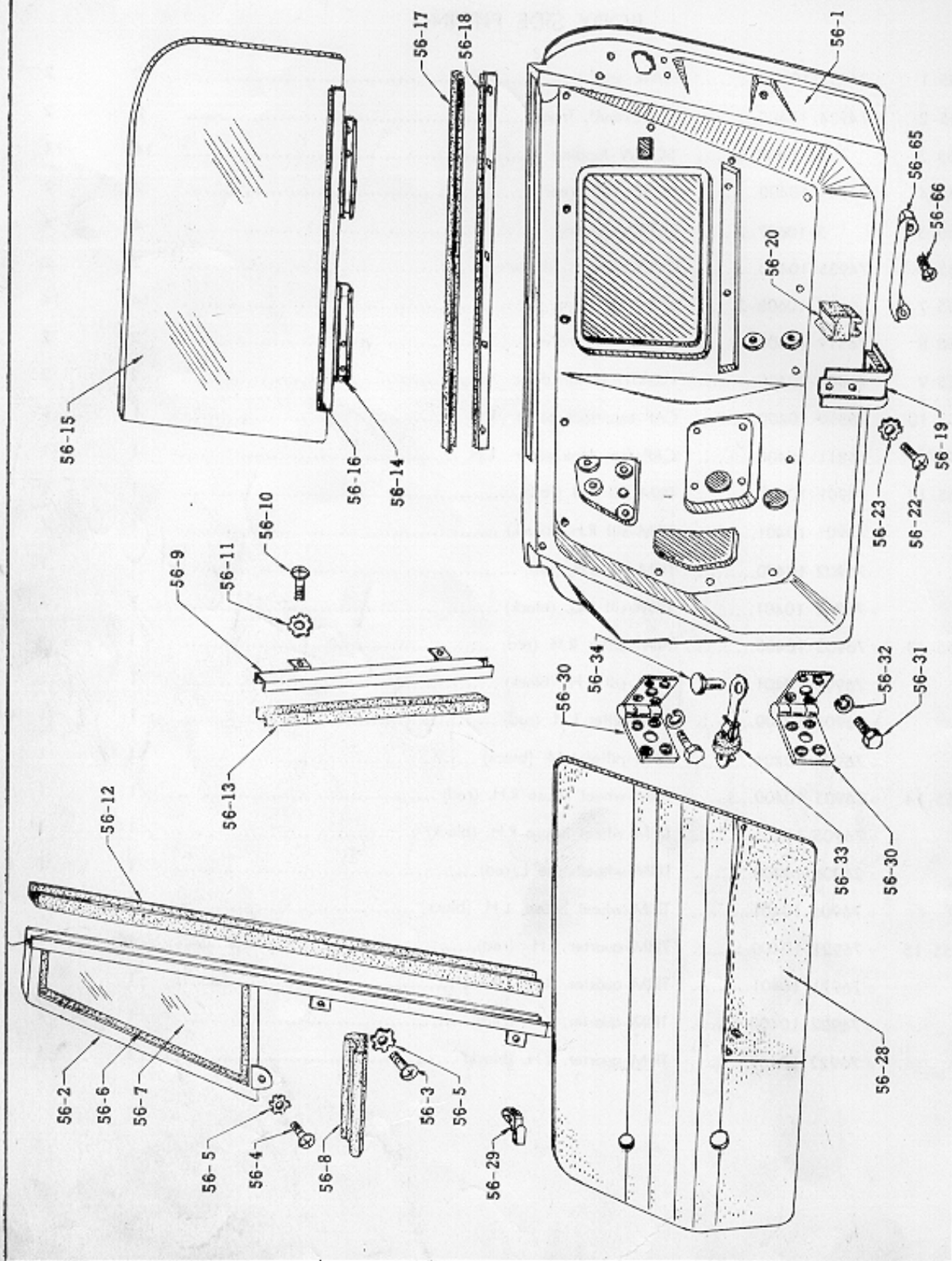
ILL. NO.	PART NO.	PART NAME	Q'TY PER SECTION	
			SP310	SPL310

## BODY SIDE FITTING

55-1	○ 74932-10400.....	PLATE-scuff .....	2	2
55-2	○ 74934-10400.....	PLATE-scuff, front .....	2	2
55-3	5-10607-2.....	SCREW-tapping .....	14	14
55-4	○ 74933-10400.....	PLATE-scuff, rear .....	2	2
55-5	5-10607-2.....	SCREW-tapping .....	4	4
55-6	○ 74935-10400.....	PLATE-kicking, sill outer .....	2	2
55-7	5-10608-2.....	SCREW-tapping .....	14	14
55-8	○ 76419-10400.....	COVER-jack hole .....	2	2
55-9	○ 76802-10400.....	WEATHERSTRIP-door .....	2	2
55-10	○ 76810-10400.....	CAP-top, lock pillar R.H. ....	1	1
55-11	○ 76811-10400.....	CAP-top, lock pillar L.H. ....	1	1
55-12	○ 76901-10400.....	TRIM-sill R.H. (red) .....	1	1
	○ 76901-10401.....	TRIM-sill R.H. (black) .....	1	1
	○ 76902-10400.....	TRIM-sill L.H. (red) .....	1	1
	○ 76902-10401.....	TRIM-sill L.H. (black) .....	1	1
55-13	○ 76903-10400.....	TRIM-pillar R.H. (red) .....	1	1
	○ 76903-10401.....	TRIM-sill L.H. (black) .....	1	1
	○ 76904-10400.....	TRIM-pillar L.H. (red) .....	1	1
	○ 76904-10401.....	TRIM-pillar L.M. (black) .....	1	1
55-14	○ 76905-10400.....	TRIM-wheel house R.H. (red) ..	1	1
	○ 76905-10401.....	TRIM-wheel house R.H. (black) ..	1	1
	○ 26906-10400.....	TRIM-wheelhouse L.(red).....	1	1
	○ 76906-10401.....	TRIM-wheel house, L.H. (black) ..	1	1
55-15	○ 76921-10400.....	TRIM-quarter R.H. (red).....	1	1
	○ 76921-10401.....	TRIM-quarter, R.H. (black) .....	1	1
	○ 76922-10400.....	TRIM-quarter, L.H. (red).....	1	1
	○ 76922-10401.....	TRIM-quarter, L.H. (black) .....	1	1

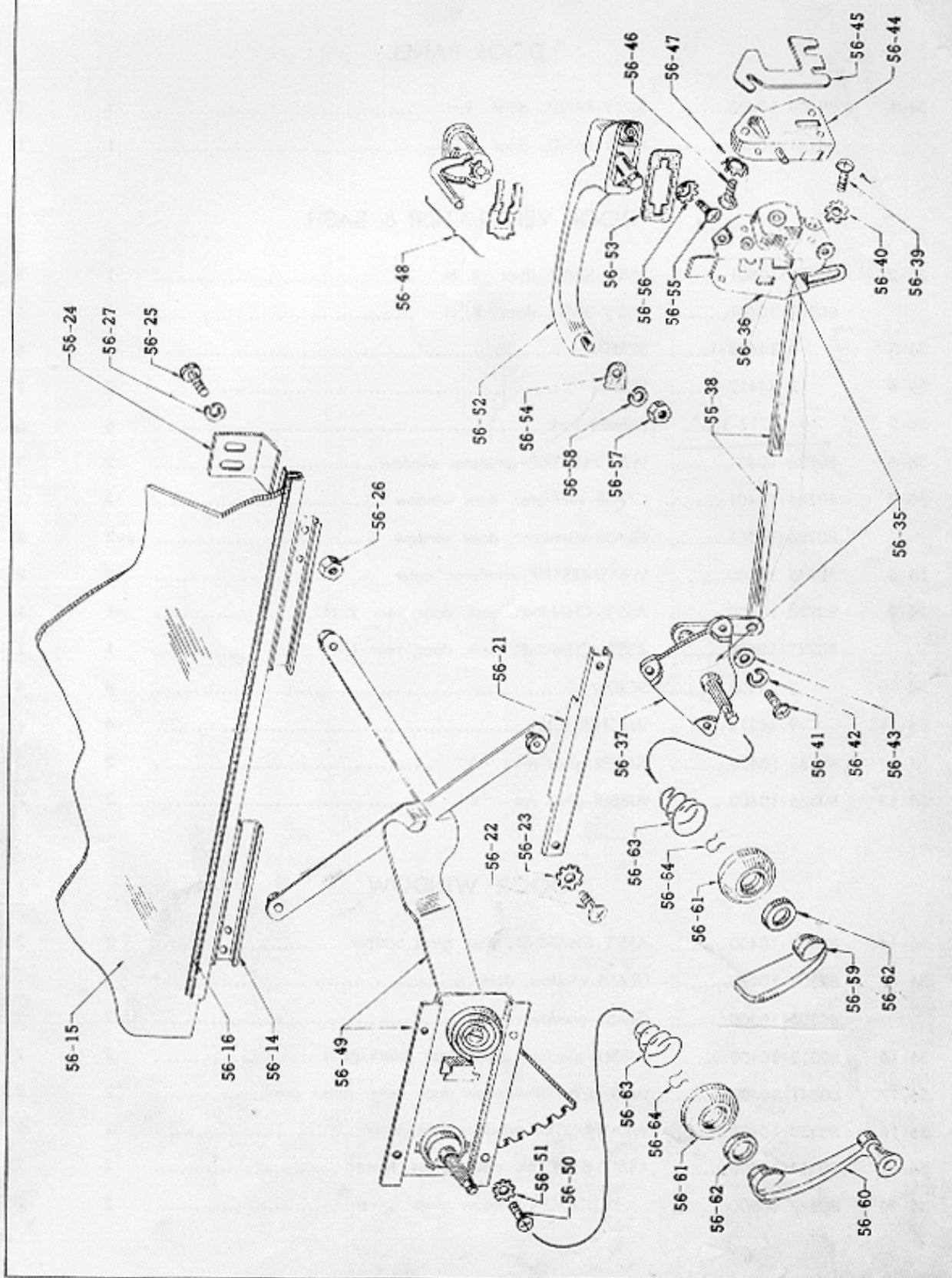
DOOR (1)

Fig. 56



## DOOR (2)

Fig. 56-A



ILL. NO.	PART NO.	PART NAME	Q'TY PER SECTION	
			SP310	SPL310

**DOOR PANEL**

56-1	◦ 80100-10430.....	ASS'Y-PANEL, door R.H. ....	1	1
	◦ 80101-10430.....	ASS'Y-PANEL, door L.H. ....	1	1

**DOOR VENTILATOR & SASH**

56-2	◦ 80200-10401.....	ASS'Y-SASH, door R. H. ....	1	1
	◦ 80201-10401.....	ASS'Y-SASH, door L. H. ....	1	1
56-3	3-14408-1.....	SCREW .....	4	4
56-4	3-44412-2.....	SCREW .....	2	2
56-5	9-16314-1.....	WASHER-lock .....	6	6
56-6	◦ 80226-10401.....	WEATHERSTRIP-ventilator window .....	2	2
56-7	◦ 80286-10401.....	GLASS-ventilator, door window .....	2	-
	◦ 80286-10501.....	GLASS-ventilator, door window .....	U-2	2
56-8	◦ 80245-10400.....	WEATHERSTRIP-ventilator, outer .....	2	2
56-9	◦ 80220-10400.....	ASS'Y-CHANNEL, sash, door, rear R. H. ....	1	1
	◦ 80221-10400.....	ASS'Y-CHANNEL, sash, door, rear L. H. ....	1	1
56-10	3-14408-1.....	SCREW .....	4	4
56-11	9-16314-1.....	WASHER-lock.....	4	4
56-12	◦ 80335-10400.....	RUBBER-glass run "A" .....	2	2
56-13	◦ 80336-10400.....	RUBBER-glass run "B" .....	2	2

**DOOR WINDOW**

56-14	◦ 80302-10400.....	ASS'Y-CHANNEL, door glass bottom .....	2	2
56-15	◦ 80306-10400.....	GLASS-window, door .....	2	-
	◦ 80306-10500.....	GLASS-window, door.....	U-2	2
56-16	◦ 80312-10400.....	RUBBER-glazing, glass, door (black gum) .....	2	2
56-17	◦ 80341-10400.....	WEATHERSTRIP-window door, outer (black gum) .....	2	2
56-18	◦ 80330-10400.....	WEATHERSTRIP-window door, inner .....	2	2
56-19	◦ 80314-10400.....	ASS'Y-STOPPER, door glass, tower .....	2	2
56-20	80317-00800.....	CUSHION-window glass, lower .....	2	2



ILL. NO.	PART NO.	PART NAME	Q'TY PER SECTION	
			SP310	SPL310
56-21	80308-10400	ASS'Y-GUIDE RAIL, regulator	2	2
56-22	3-14412-1	SCREW	8	8
56-23	9-16314-1	WASHER-lock		
			} to fix stopper & guide rail	
56-24	80316-10400	ANGLE-stopper, door window	2	2
56-25	3-14412-1	SCREW	4	4
56-26	9-11144-1	NUT	4	4
56-27	9-15114-1	WASHER-lock	4	4

## DOOR TRIM

56-28	80950-10400	TRIM-door, front R.H. (red)	1	1
	80951-10400	TRIM-door, front L.H. (red)	1	1
	80950-10401	TRIM-door, rear R.H. (black)	1	1
	80951-10401	TRIM-door, rear L.H. (black)	1	1
56-29	80919-32200	CLLIP-trim pad	28	28
	80801-10400	ASS'Y-SIDE FLASH, door R.H.	1	1
	80802-10400	ASS'Y-SIDE FLASH, door L.H.	1	1

*MLDG*

## DOOR HINGE &amp; CHECK LINK

56-30	80400-10400	ASS'Y-HINGE, door	4	4
56-31	1-14416-1	BOLT	32	32
56-32	9-15114-1	WASHER-lock	32	32
56-33	80410-10400	ASS'Y-LINK, door check	2	2
56-34	82451-30000	RIVET (to fix link)	2	2

ILL. NO.	PART NO.	PART NAME	Q'TY PER SECTION	
			SP310	SPL310

DOOR LOCK, STRIKER & REGULATOR

56-35	○ 80500-10400.....	ASS'Y-LOCK & REMOTE CONTROL, door R.H.....	1	1
56-36	○ 80502-10400.....	ASS'Y-LOCK, door R.H. ....	1	1
<del>56-37</del>	○ 80504-10400.....	ASS'Y-REMOTE CONTROL, door lock .....	1	1
56-38	○ 80565-10400.....	LINK-door lock & remote control R.H. ....	1	1
	80545-35000.....	RIVET-link, .....	1	1
	80546-35000.....	WASHER-wave, link .....	1	1
56-39	3-24012-1.....	SCREW } lock to door .....	3	3
56-40	9-16410-1.....	WASHER-lock } .....	3	3
56-41	3-14008-1.....	SCREW } .....	3	3
56-42	9-15110-1.....	WASHER-lock } remote control to door .....	3	3
56-43	9-15410-1.....	WASHER-plain } .....	3	3
	○ 80501-10400.....	ASS'Y-LOCK & REMOTE CONTROL, door L.H.....	1	1
	○ 80503-10400.....	ASS'Y-LOCK, door L.H. ....	1	1
	○ 80504-10400.....	ASS'Y-REMOTE CONTROL, door lock .....	1	1
	○ 80566-10400.....	LINK-door lock & remote control L.H.....	1	1
	80545-35000.....	RIVET-link, flat head .....	1	1
	80546-35000.....	WASHER-wave, link.....	1	1
	3-24012-1.....	SCREW } lock to door .....	3	3
	9-16410-1.....	WASHER-lock } .....	3	3
	3-14008-1.....	SCREW } .....	3	3
	9-15110-1.....	WASHER-lock } remote control to door .....	3	3
56-44	80570-35001.....	ASS'Y-STRIKER, door lock R.H.....	1	1
	80571-35001.....	ASS'Y-STRIKER, door lock L.H.....	1	1
56-45	80630-35000.....	SHIM-adjusting, door lock striker .....	2	2
56-46	3-24430-1.....	SCREW } striker to pillar .....	6	6
56-47	9-16414-1.....	WASHER-lock } .....	6	6
56-48	○ 80600-10400.....	ASS'Y-CYLINDER, door lock R.H. ....	1	1
	○ 80601-10400.....	ASS'Y-CYLINDER, door lock L.H. ....	1	1
56-49	○ 80700-10400.....	ASS'Y-REGULATOR, door window R.H. ....	1	1
	○ 80701-10400.....	ASS'Y-REGULATOR, door window L.H. ....	1	1
56-50	3-14412-1.....	SCREW .....	8	8
56-51	9-16414-1.....	WASHER-lock .....	8	8

ILL. NO.	PART NO.	PART NAME	Q'TY PER SECTION	
			SP 310	SPL 310

## DOOR HANDLE

56-52	80675-04100.....	HANDLE-door, outside .....	2	2
56-53	80685-04100.....	WASHER-seating, door handle outside, large .....	2	2
56-54	80686-04100.....	WASHER-seating, door handle outside, small .....	2	2
56-55	3-14010-1.....	SCREW.....	2	2
56-56	9-16310-1.....	WASHER-lock .....	2	2
56-57	9-11140-1.....	NUT .....	2	2
56-58	9-15110-1.....	WASHER-lock .....	2	2
56-59	80672- <del>32200</del> <sup>10600</sup> .....	HANDLE-door, inside (Zn die cast) .....	2	2
56-60	80760-32200.....	ASS'Y-HANDLE, door window regulator .....	2	2
56-61	80675-10400.....	ESCUTCHEON-door handle .....	4	4
56-62	80676-10400.....	CROWN-escutcheon .....	4	4
56-63	80674-33100.....	SPRING-escutcheon .....	4	4
56-64	80673-32200.....	SPRING-retaining, handle .....	4	4
56-65	80691-26261.....	HANDLE-pull .....	2	2
56-66	3-14012-2.....	SCREW .....	4	4

## PRIVATE LOCK &amp; KEY

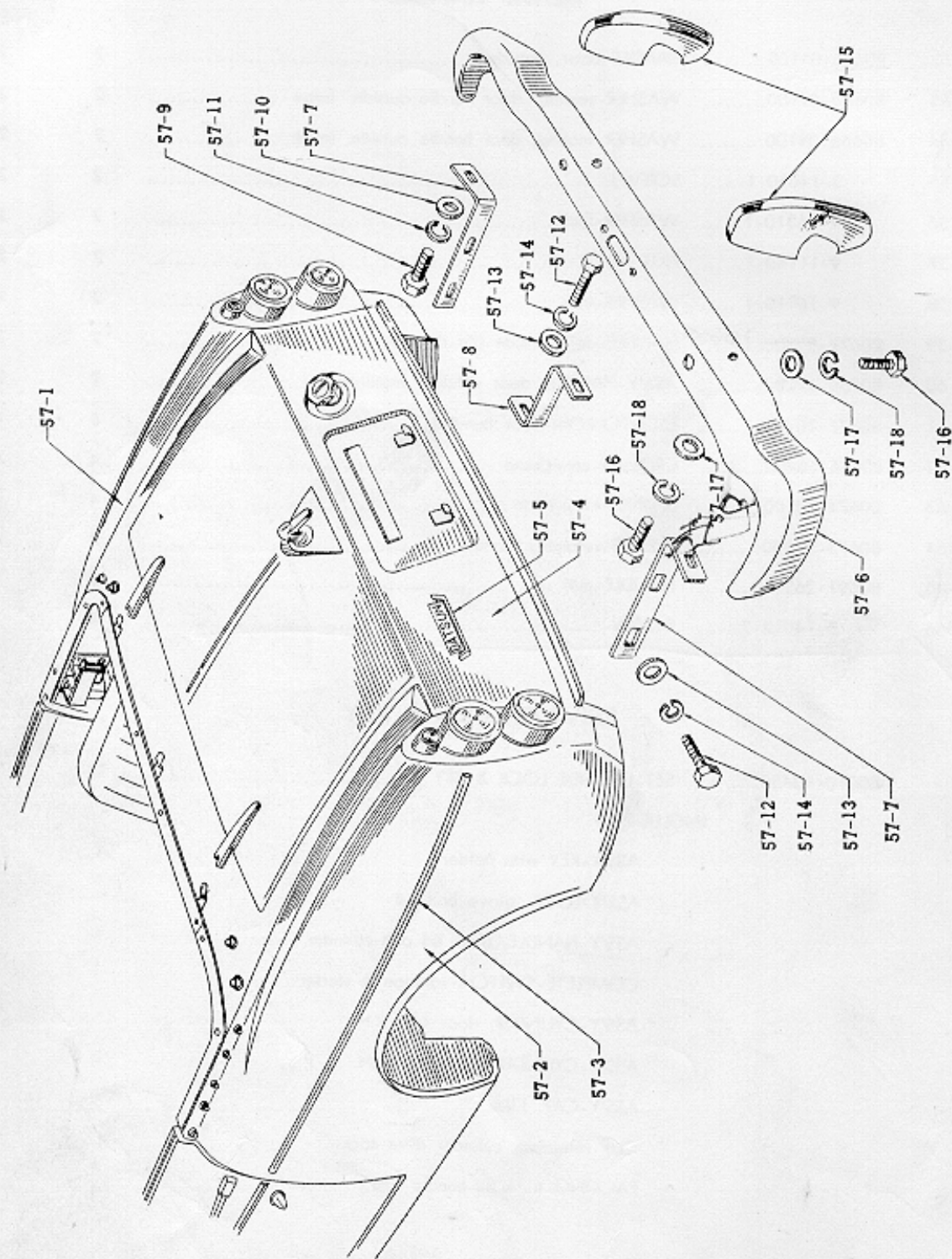
80010-10450.....	SET-CYLINDER LOCK & KEY .....	1	1
------------------	-------------------------------	---	---

## INCLUDING

- ASS'Y-KEY with holder
- ASS'Y-LOCK, glove box lid
- ASS'Y-HANDLE, trunk lid pith cylinder
- COMPLETE-SWITCH, ignition & starter
- ASS'Y-CYLINDER, door lock R.H.
- ASS'Y-CYLINDER, door lock L.H.
- ASS'Y-CAP, filler
- CLIP-retaining, cylinder door lock
- PACKING-trunk lid handle

**BODY REAR**

**Fig. 57**



ILL. NO.	PART NO.	PART NAME	Q'TY PER SECTION	
			SP 310	SPL 310

REAR FENDER & BACK PANEL

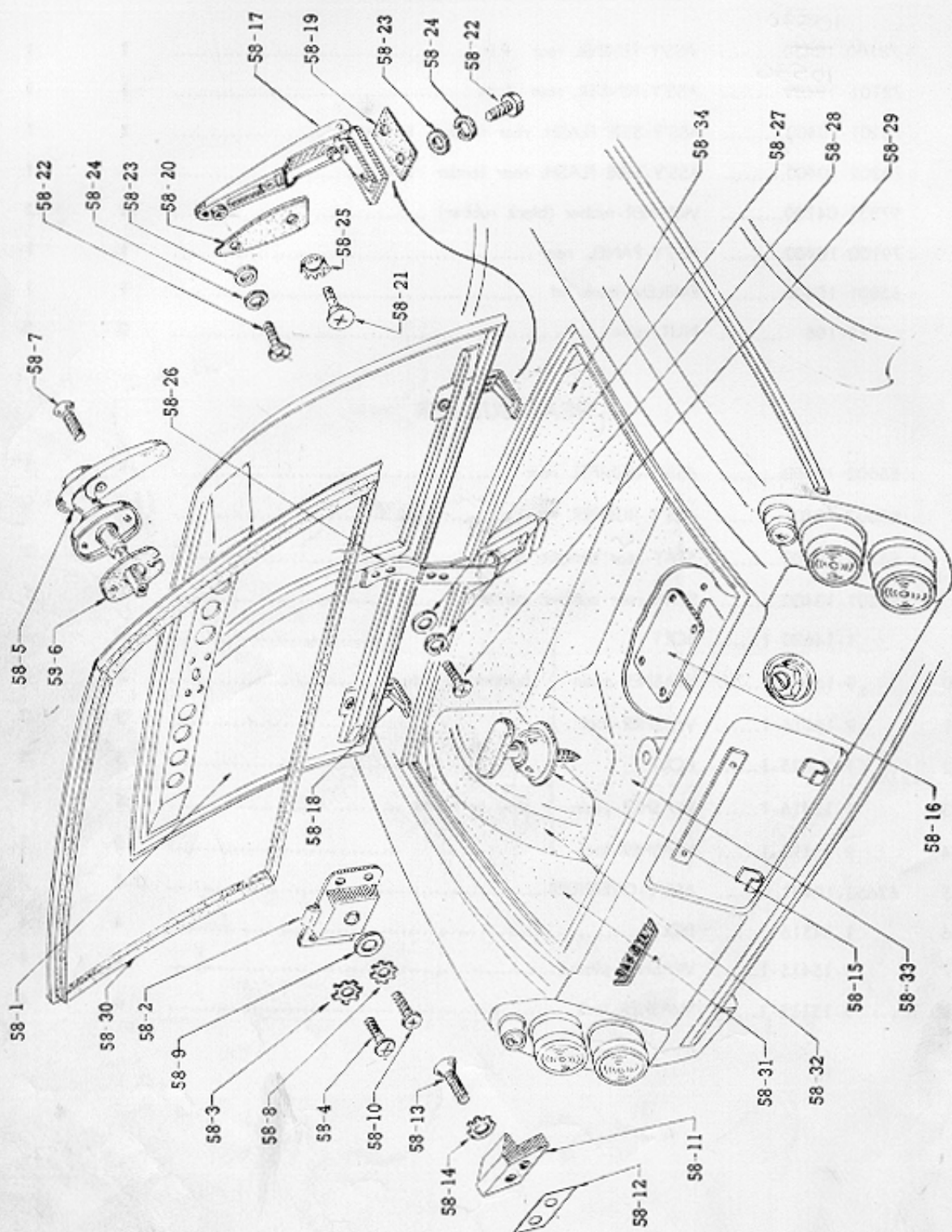
57-1	10530 ○ 78100-10430	ASS'Y-FENDER, rear R.H.	1	1
57-2	10530 ○ 78101-10430	ASS'Y-FENDER, rear L.H.	1	1
	○ 78201-10400	ASS'Y-SIDE FLASH, rear fender R.H.	1	1
57-3	○ 78202-10400	ASS'Y-SIDE FLASH, rear fender L.H.	1	1
	97331-04100	WASHER-rubber (black rubber)	12	12
57-4	○ 79100-10400	ASS'Y-PANEL, rear	1	1
57-5	○ 65801-10400	EMBLEM-trunk lid	1	1
	PFS-106	NUT-spire	3	3

REAR BUMPER

	○ 85002-10400	ASS'Y-BUMPER, rear	1	1
57-6	○ 85002-10401	ASS'Y-BUMPER, rear	J-1 U-1	1
57-7	○ 85200-10400	STAY-rear bumper, side	2	2
57-8	○ 85201-10400	STAY-rear bumper, center	1	1
57-9	1-14620-1	BOLT	3	3
57-10	9-15416-1	WASHER-plain	} bumper to stay	3
57-11	9-15116-1	WASHER-lock		
57-12	1-14625-1	BOLT	5	5
57-13	9-15416-1	WASHER-plain	} stay to frame	5
57-14	9-15116-1	WASHER-lock		
57-15	62663-10401	ASS'Y-OVERRIDE	U-2	2
57-16	1-14516-1	BOLT	4	4
57-17	9-15415-1	WASHER-plain	4	4
57-18	9-15115-1	WASHER-lock	4	4

## TRUNK FITTING

Fig. 58



ILL. NO.	PART NO.	PART NAME	Q'TY PER SECTION	
			SP310	SPL310

## TRUNK LID

58-1	○ 84300-10430.....	ASS'Y-PANEL, trunk lid .....	1	1
58-2	84430-25760.....	ASS'Y-LOCK, trunk lid .....	1	1
58-3	9-16314-1.....	WASHER-lock	} to fix lock ass'y	4
58-4	3-14410-1.....	SCREW		
58-5	○ 84450-10400.....	ASS'Y-HANDLE, trunk lid with cylinder lock .....	1	1
58-6	84460-25760.....	PACKING-trunk lid handle .....	1	1
58-7	3-34014-2.....	SCREW	} to fix handle	2
58-8	9-16310-1.....	WASHER-lock		
58-9	9-15412-1.....	WASHER-plain		
58-10	3-14012-1.....	SCREW		
58-11	○ 84474-10400.....	STRIKER-lock, trunk lid	1	1
58-12	○ 84475-10400.....	SHIM-striker, trunk lid lock .....	1	1
58-13	3-24418-1.....	SCREW	} to fix striker	2
58-14	9-16414-1.....	WASHER-lock		

## TRUNK FITTING

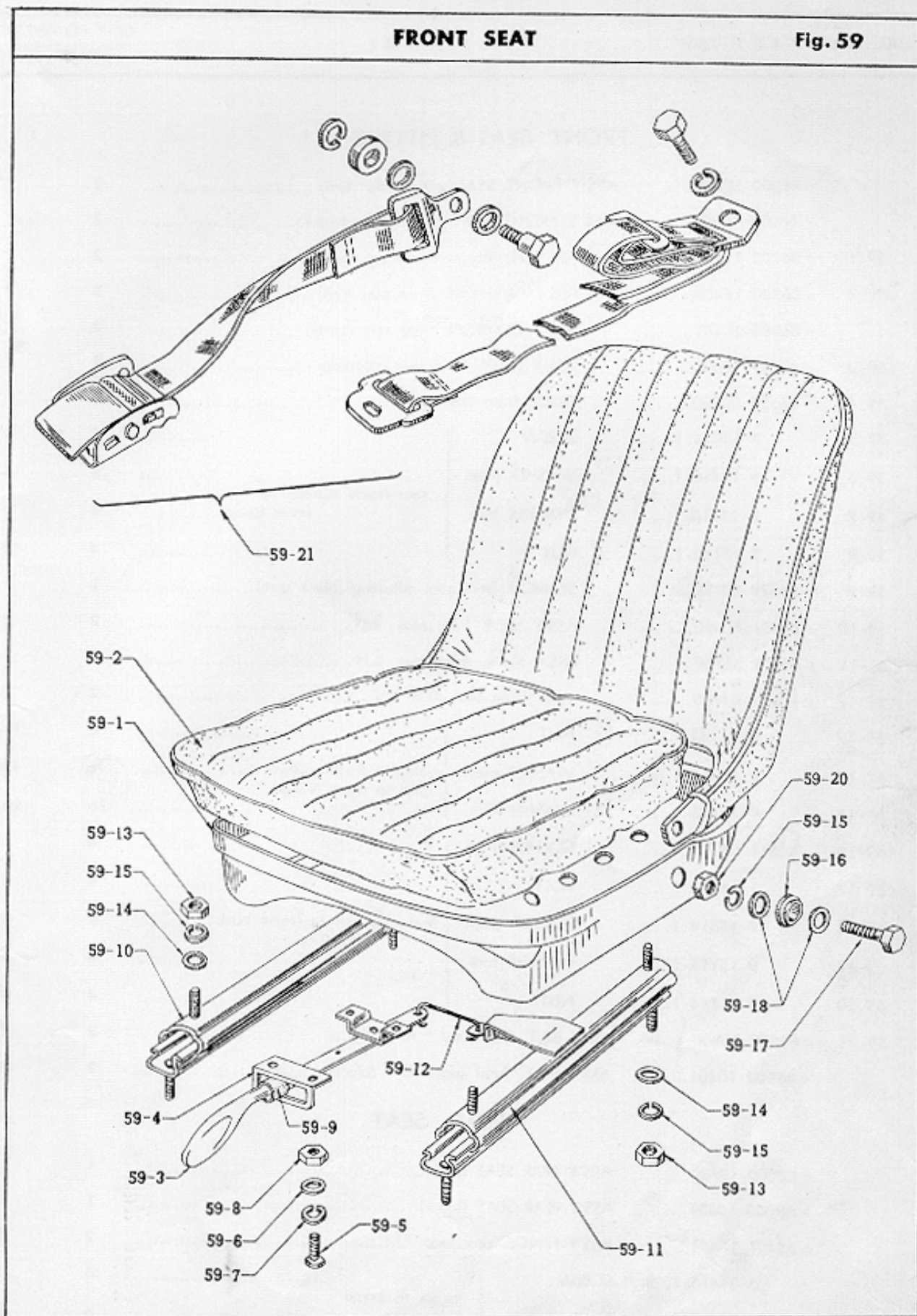
58-15	57235-04151.....	ASS'Y.-BOLT-clamp, spare tire .....	1	1
58-16	○ 84120-10400.....	ASS'Y-COVER, inspection hole .....	1	1
58-17	○ 84403-10400.....	ASS'Y-HINGE, trunk lid R.H. ....	1	1
58-18	○ 84404-10400.....	ASS'Y-HINGE, trunk lid L.H. ....	1	1
58-19	84410-04100.....	SHIM-hinge, trunk lid, male (rubber) .....	2	2
58-20	84411-04100.....	SHIM-hinge, trunk lid, female (rubber) .....	2	2
58-21	3-24412-1.....	SCREW .....	2	2
58-22	3-14412-1.....	SCREW .....	6	6
58-23	9-15514-1.....	WASHER-plain.....	6	6
58-24	9-15114-1.....	WASHER-lock .....	6	6
58-25	9-16414-1.....	WASHER-lock .....	2	2

ILL. NO.	PART NO.	PART NAME	Q'TY PER SECTION	
			SP310	SPL310
58-26	o 84480-10400.....	ASS'Y-SUPPORT, trunk lid .....	1	1
58-27	9-15410-1.....	WASHER-plain.....	2	2
58-28	9-15114.....	WASHER-lock .....	2	2
58-29	3-14412-1.....	SCREW.....	2	2
58-30	o 84806-10400.....	WEATHERSTRIP-trunk lid .....	1	1
	o 76910-10400.....	INSULATOR-rear fender R.H. (red).....	1	1
	o 76910-10401.....	INSULATOR-rear fender R.H. (black) .....	1	1
58-31	o 76911-10400.....	INSULATOR-rear fender L.H. (red).....	1	1
	o 76911-10401.....	INSULATOR-rear fender L.H. (black) .....	1	1
	o 76923-10400.....	TRIM-wheel house, rear R.H. (red).....	1	1
	o 76923-10401.....	TRIM-wheel house, rear R.H. (black) .....	1	1
58-32	o 76924-10400.....	TRIM-wheel house, rear L.H. (red).....	1	1
	o 76924-10400.....	TRIM-wheel house, rear L.H. (black) .....	1	1
58-33	o 84901-10400.....	TRIM-trunk floor, front .....	1	1
58-34	o 84902-10400.....	TRIM-trunk floor, rear .....	1	1
	o 57901-10400.....	COVER-spare tire .....	1	1



FRONT SEAT

Fig. 59



ILL. NO.	PART NO.	PART NAME	Q'TY PER SECTION	
			SP310	SPL310

**FRONT SEAT & FITTING**

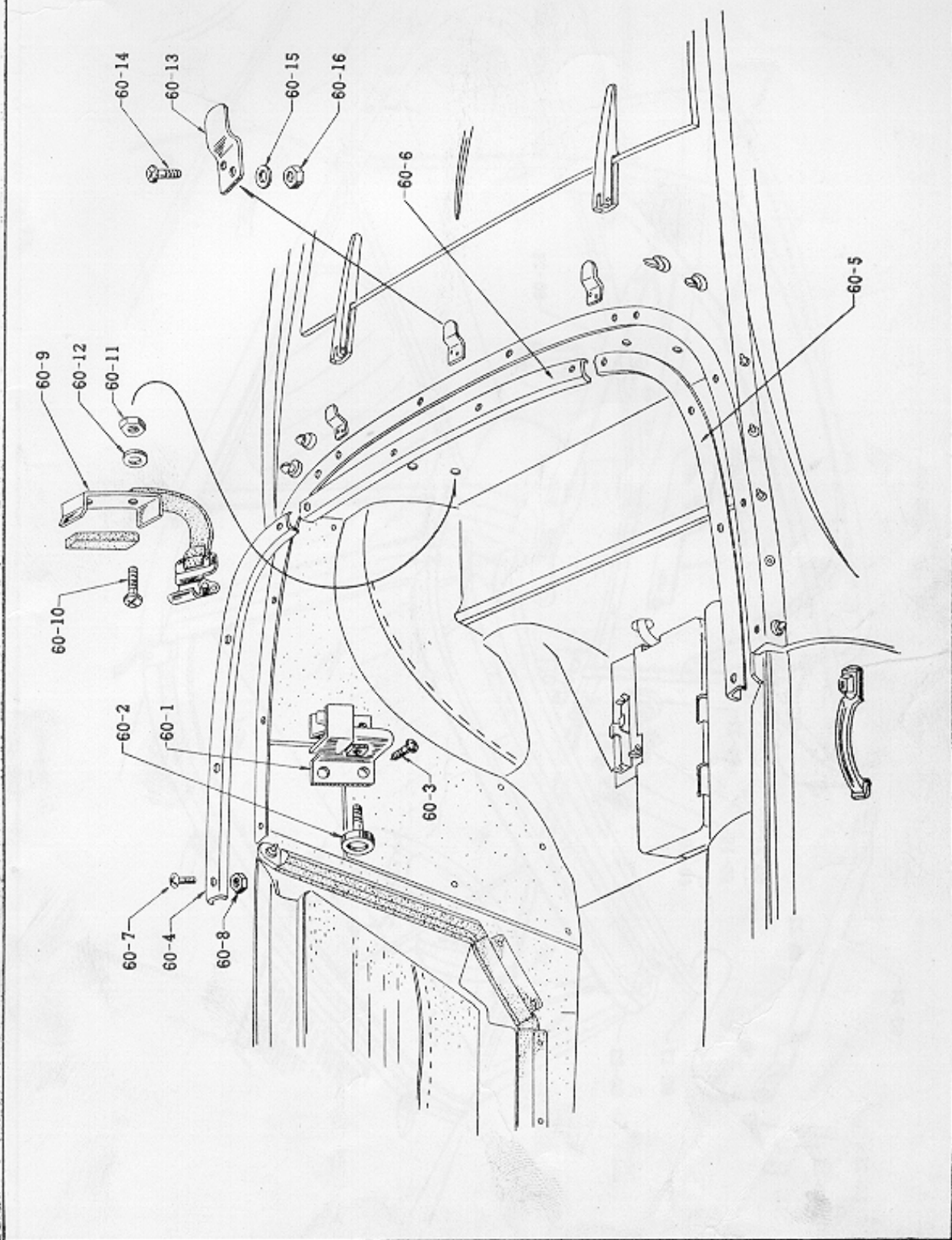
	o 86000-10400.....	ASS'Y-FRONT SEAT with slide (red) .....	2	2	
	o 86000-10401.....	ASS'Y-FRONT SEAT with slide (black).....	2	2	
59-1	o 86102-10400.....	ASS'Y-FRAME, cushion front seat .....	2	2	
59-2	o 86300-10400.....	ASS'Y-CUSHION, front seat (red) .....	2	2	
	o 86300-10401.....	ASS'Y-CUSHION, front seat (black) .....	2	2	
59-3	o 86522-10400.....	ASS'Y-LEVER, front seat adjusting .....	2	2	
59-4	86527-00100.....	GUIDE-front seat adjust .....	2	2	
59-5	3-14016-1.....	SCREW	} seat frame cushion to lever fixing	4	4
59-6	9-15410-1.....	WASHER-plain		4	4
59-7	9-15110-1.....	WASHER-lock		4	4
59-8	9-11140-1.....	NUT		4	4
59-9	86529-00100.....	SILENCER-front seat adjusting (black gum).....	2	2	
59-10	o 86501-10400.....	ASS'Y-SLIDE, front seat R.H.....	2	2	
59-11	o 86502-36700.....	ASS'Y-SLIDE, front seat L.H.....	2	2	
59-12	86532-04700.....	WIRE-front seat slide lock .....	2	2	
59-13	9-11145-1.....	NUT	} slid to frame cushion slid to floor fixing	16	16
59-14	9-15415-1.....	WASHER-plain		16	16
59-15	9-15115-1.....	WASHER-lock		16	16
59-16	86511-04700.....	COLLAR-hinge	} frame cushion to frame back	4	4
59-17	1-14422-1.....	BOLT		4	4
59-18	9-15514-1.....	WASHER-plain		8	8
59-19	9-15114-1.....	WASHER-lock		4	4
59-20	9-11144-1.....	NUT	4	4	
59-21	o 86800-10400.....	ASS'Y-BELT, front seat "A" (red).....	2	2	
	o 86800-10401.....	ASS'Y-BELT, front seat "G" (black).....	2	2	

**REAR SEAT**

	o 88000-10400.....	ASS'Y-REAR SEAT (red) .....	1	1	
	o 88000-10401.....	ASS'Y-REAR SEAT (black) .....	1	1	
	o 65401-10401.....	ASS'Y-HINGE, rear seat .....	2	2	
	3-34416-1.....	SCREW	} hinge to frame	6	6
	9-16414-1.....	WASHER-lock		6	6

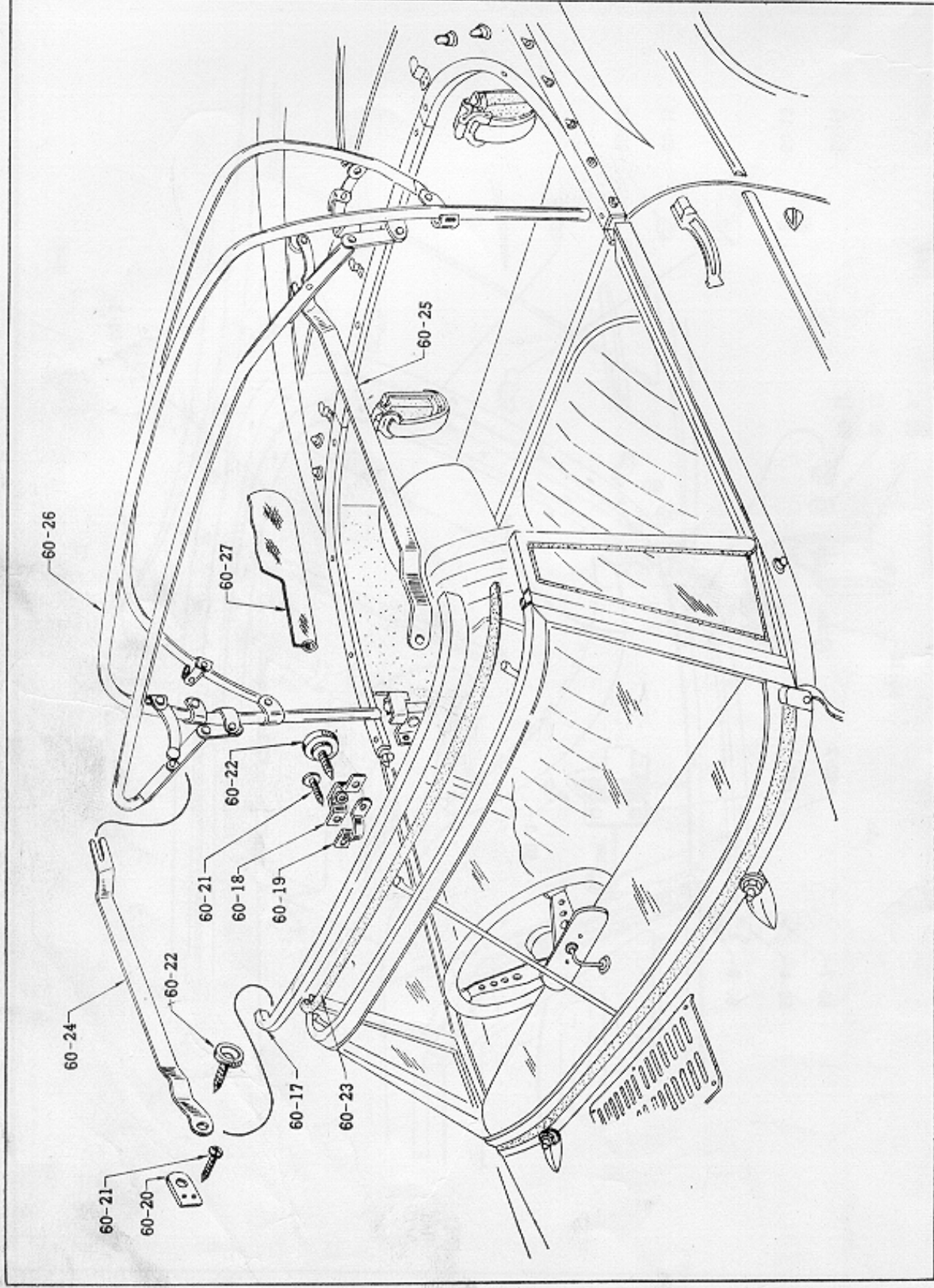
### REAR SEAT BACK FITTING

Fig. 60



SOFT TOP FRAME

Fig. 60-A



ILL. NO.	PART NO.	PART NAME	Q'TY PER SECTION	
			SP310	SPL310

### REAR SEAT BACK FITTING

60-1	o 97910-10400.....	ASS'Y-SUPPORT, top frame R.H. ....	1	1
	o 97911-10400.....	ASS'Y-SUPPORT, top frame L.H. ....	1	1
60-2	o 97728-10400.....	ASS'Y-SCREW, clamp .....	2	2
60-3	3-34012-2.....	SCREW .....	8	8
60-4	o 79850-10400.....	MOULDING-waist R.H. ....	1	1
60-5	o 79851-10400.....	MOULDING-waist L.H. ....	1	1
60-6	o 79852-10400.....	MOULDING-waist, center .....	1	1
60-7	3-30608-2.....	SCREW.....	12	12
60-8	9-11106-1.....	NUT.....	12	12
60-9	o 79121-10400.....	ASS'Y-CLAMP, top frame .....	2	2
60-10	3-14416-1.....	SCREW.....	4	4
60-11	9-11144-1.....	NUT.....	4	4
60-12	9-15414-1.....	WASHER-plain.....	4	4
60-13	o 97740-10400.....	HOOK-rear, soft top .....	3	3
60-14	3-30812-2.....	SCREW .....	6	6
60-15	9-15408-1.....	WASHER-plain.....	6	6
60-16	9-11108-1.....	NUT.....	6	6

ILL. NO.	PART NO.	PART NAME	QTY PER SECTION	
			SP310	SPL310

SOFT TOP & FRAME

	97700-10400.....	COMPLETE-SOFT, TOP .....	1	1
60-17	97720-10400.....	ASS'Y-FRAME, top, front .....	1	1
60-18	97722-10400.....	ASS'Y-CLAMP, top, front .....	3	3
60-19	97724-10400.....	BACE-clamp, top, frame .....	3	3
60-20	97726-10400.....	CLAMP-top, side frame .....	2	2
60-21	5-91032-1.....	SCREW-wood.....	10	10
60-22	97728-10400.....	ASS'Y-SCREW, clamp .....	3	3
60-23	97730-10400.....	WEATHERSTRIP-top, front .....	1	1
	97780-10400.....	RUBBER-seal, door, soft top .....	2	2
60-24	97745-10400.....	FRAME-side, soft top R.H. ....	1	1
60-25	97746-10400.....	FRAME-side, soft top L.H. ....	1	1
60-26	97800-10400.....	ASS'Y-FRAME, soft top .....	1	1
60-27	97831-10400.....	COVER-frame, soft top .....	2	2